

[54] COMBINED FLOWER POT AND TRAY  
THEREFOR

[76] Inventor: John Orfei, 14 Ravena St., Revere,  
Mass. 02151

[\*\*] Term: 14 Years

[21] Appl. No.: 651,501

[22] Filed: Jan. 22, 1976

[51] Int. Cl. .... D11-02

[52] U.S. Cl. .... D11/154

[58] Field of Search ..... D35/3 R, 3 A, 3 B;  
D29/28 R; D6/113, 137, 182, 183; 47/34, 35,  
34.12, 34.13, 38; 206/423

[56] References Cited

U.S. PATENT DOCUMENTS

2,638,716	5/1953	Luipersbek .....	D35/3 A
3,906,666	9/1975	Daenen .....	D35/3 A
D. 228,934	10/1973	Humphries .....	D35/3 A

OTHER PUBLICATIONS

Haeger Pottery Cat., rec'd. Feb. 1956, p. 6, flower pot  
(upper left).

Primary Examiner—Wallace R. Burke  
Assistant Examiner—B. J. Bullock  
Attorney, Agent, or Firm—David Wolf

[57] CLAIM

The ornamental design for a combined flower pot and  
tray therefor, as shown and described.

DESCRIPTION

FIG. 1 is a front elevational view of a combined flower  
pot and tray therefor showing my new design;  
FIG. 2 is a top plan view of FIG. 1;  
FIG. 3 is a front elevational view with the tray omitted  
for clarity of disclosure;  
FIG. 4 is a bottom plan view of FIG. 3;  
FIG. 5 is a top plan view, with the pot omitted for  
clarity of disclosure; and,  
FIG. 6 is a bottom plan view of FIG. 5.

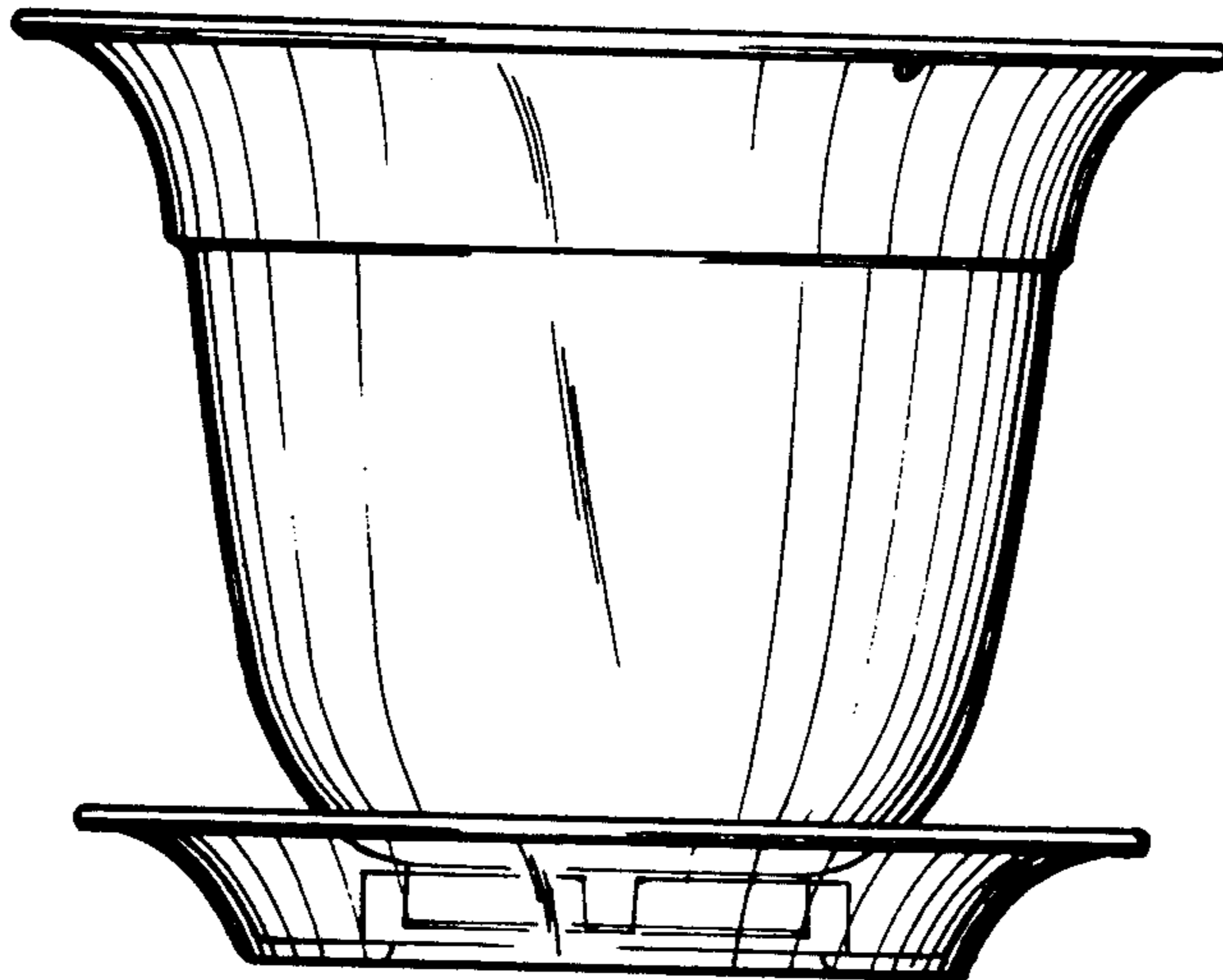


FIG. 1

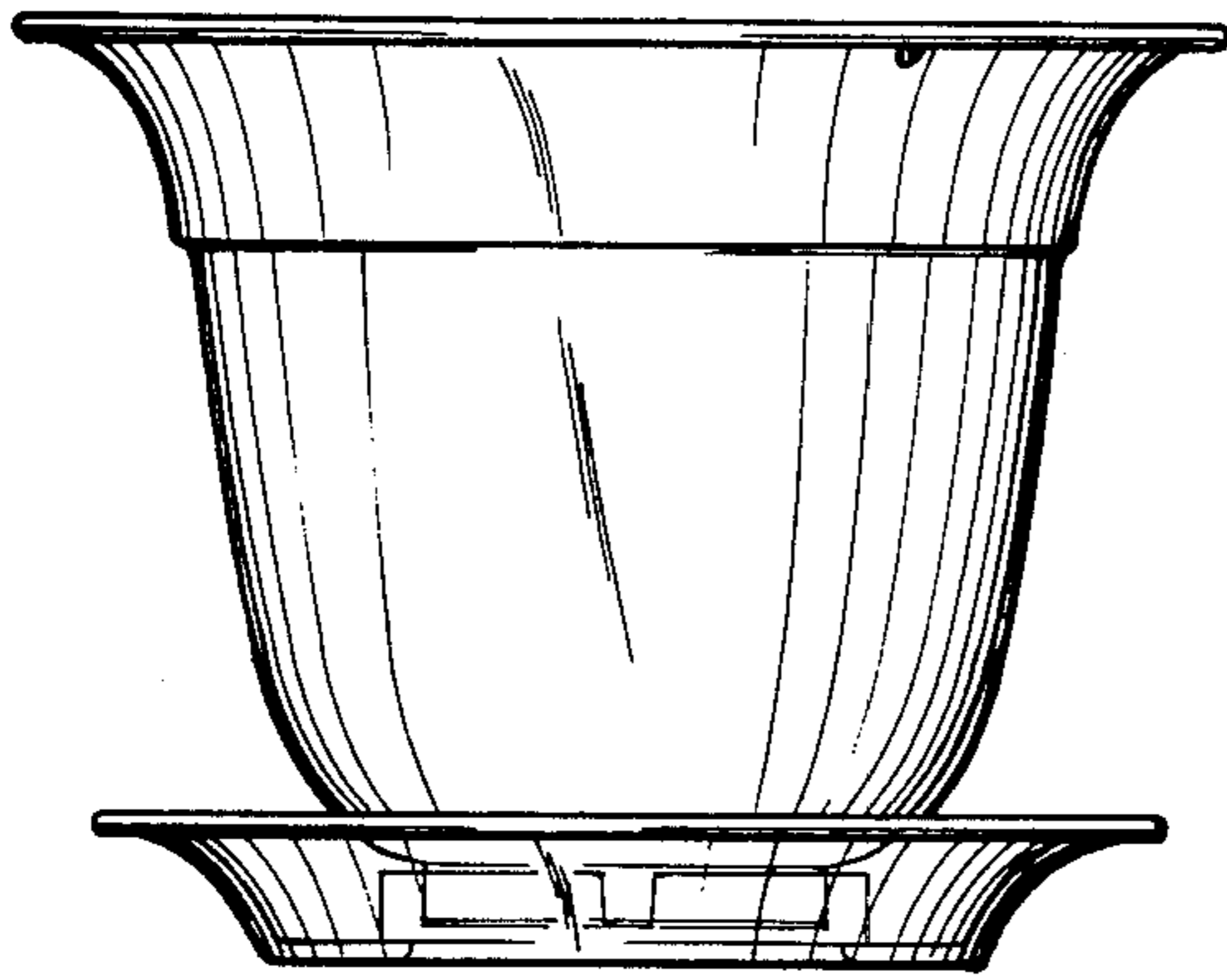


FIG. 2

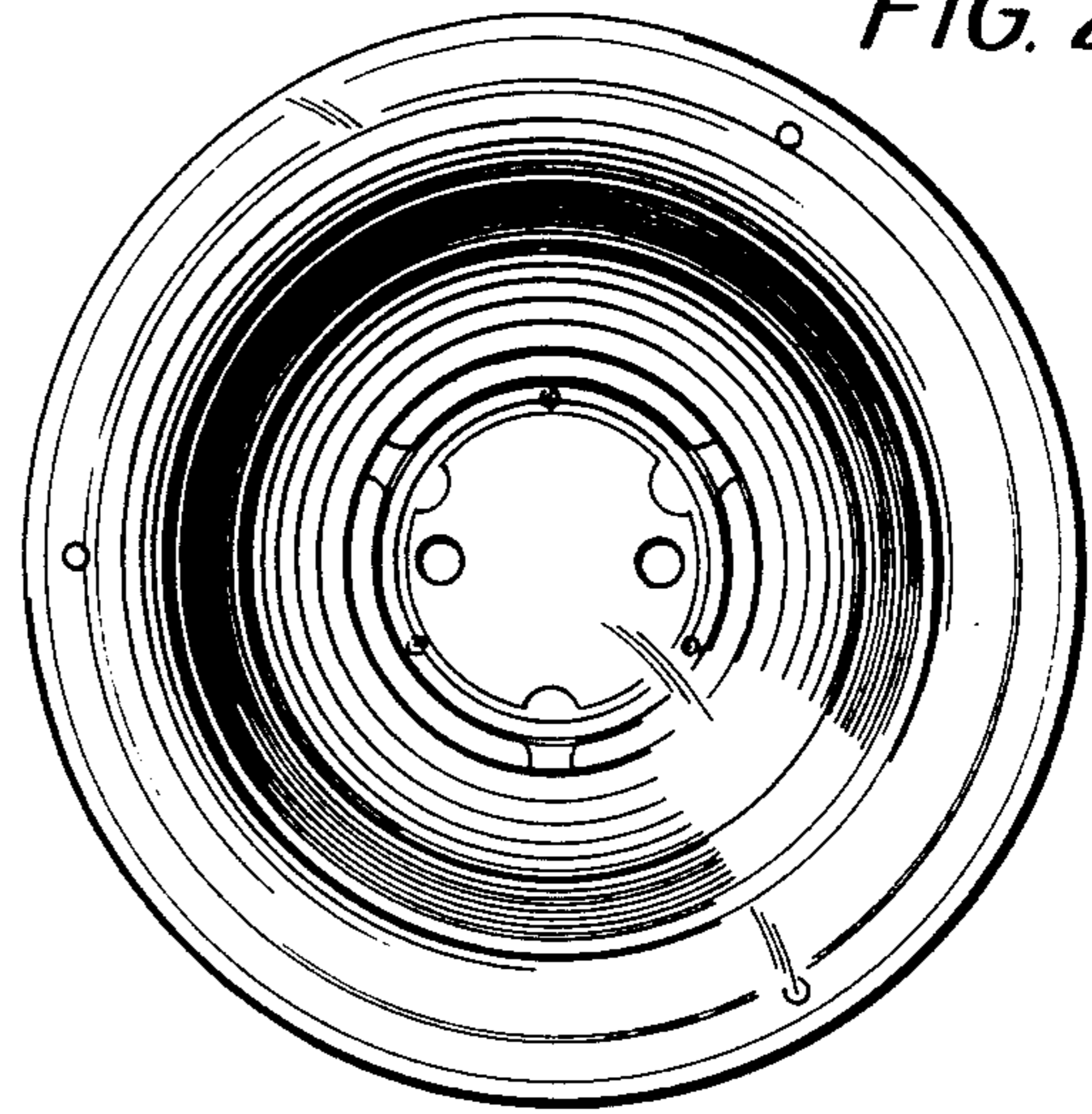


FIG. 3

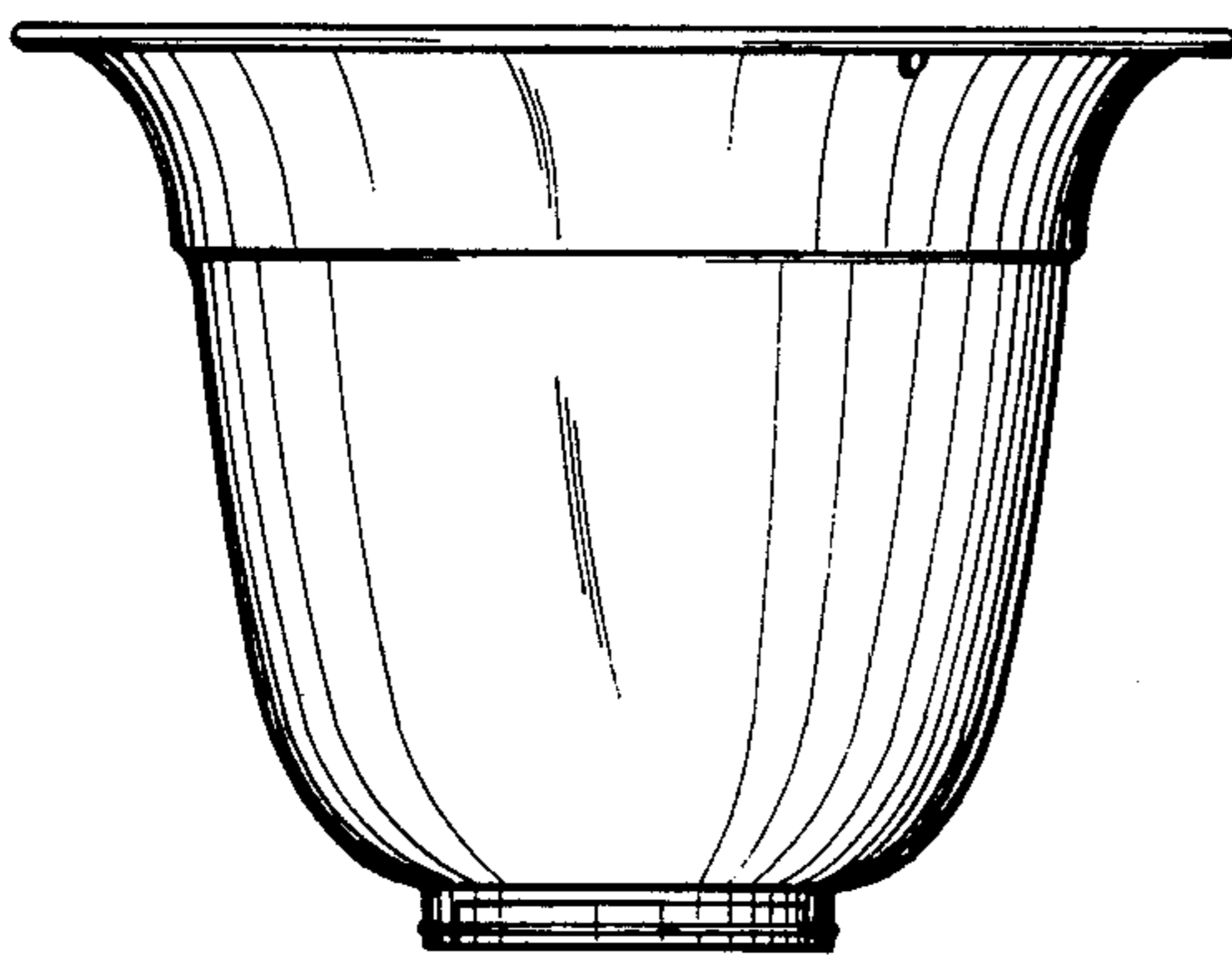


FIG. 4

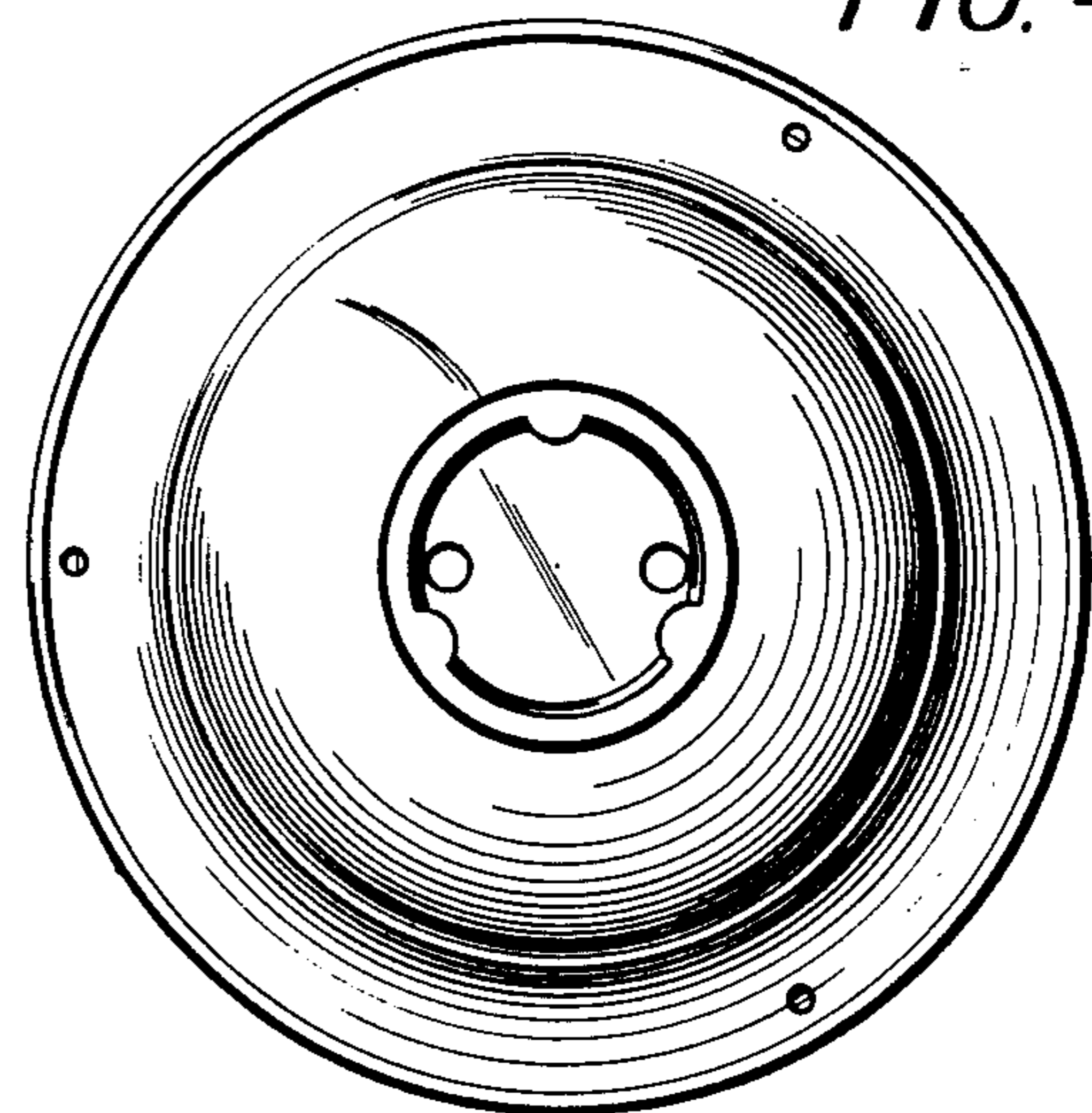


FIG. 5

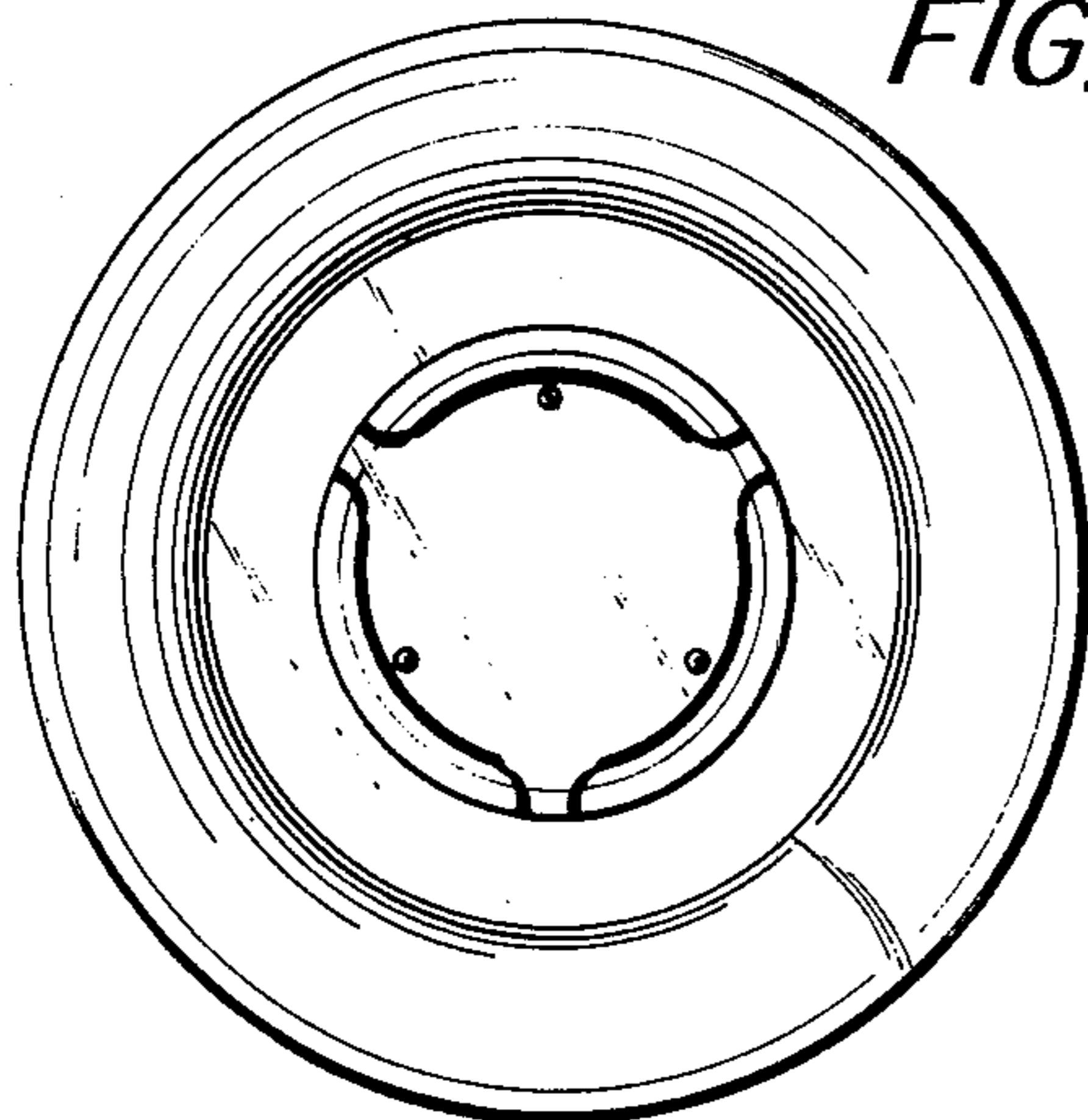


FIG. 6

