

[54] TOY FORT

[76] Inventor: Elmer C. Powell, Jr., 804 W. Colorado, Dallas, Tex. 75208

[**] Term: 14 Years

[21] Appl. No.: 684,857

[22] Filed: May 10, 1976

[51] Int. Cl. D21-01
[52] U.S. Cl. D34/15 LL
[58] Field of Search D25/1, 18, 31;
D34/15 LL, 11 A; 46/12, 13

[56]

References Cited

U.S. PATENT DOCUMENTS

2,608,726 9/1952 Olson 46/12
D. 34,354 4/1901 Miller D34/15 LL
D. 235,571 6/1975 Jaros D34/15 LL

Primary Examiner—Joel Stearman
Assistant Examiner—C. A. Rademaker

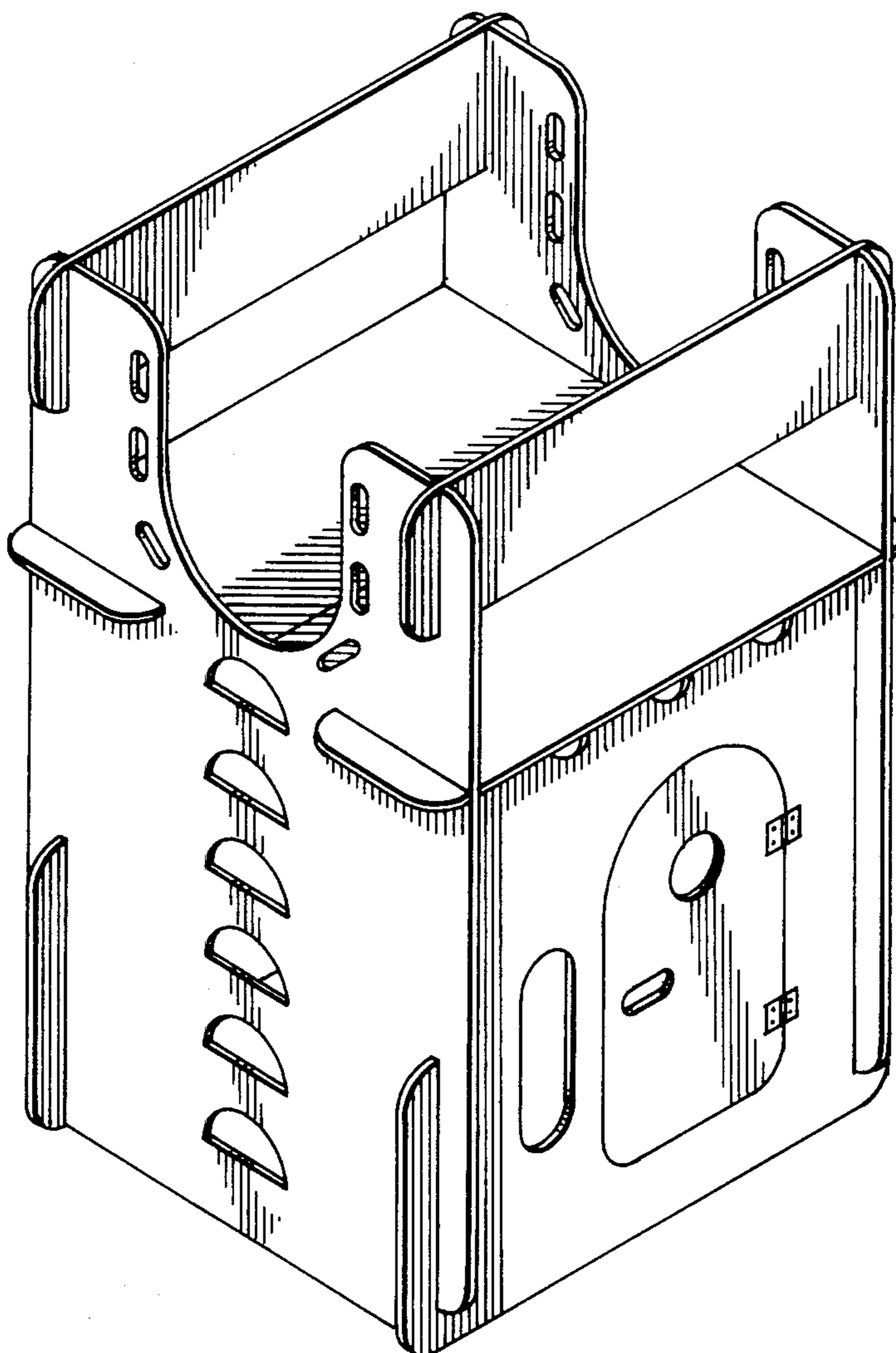
[57]

CLAIM

The ornamental design for a toy fort, as shown.

DESCRIPTION

FIG. 1 is a perspective view of toy fort showing the top, front and left side of my new design;
FIG. 2 is a perspective view showing the top, rear and right side thereof; and
FIG. 3 is a top plan view thereof.



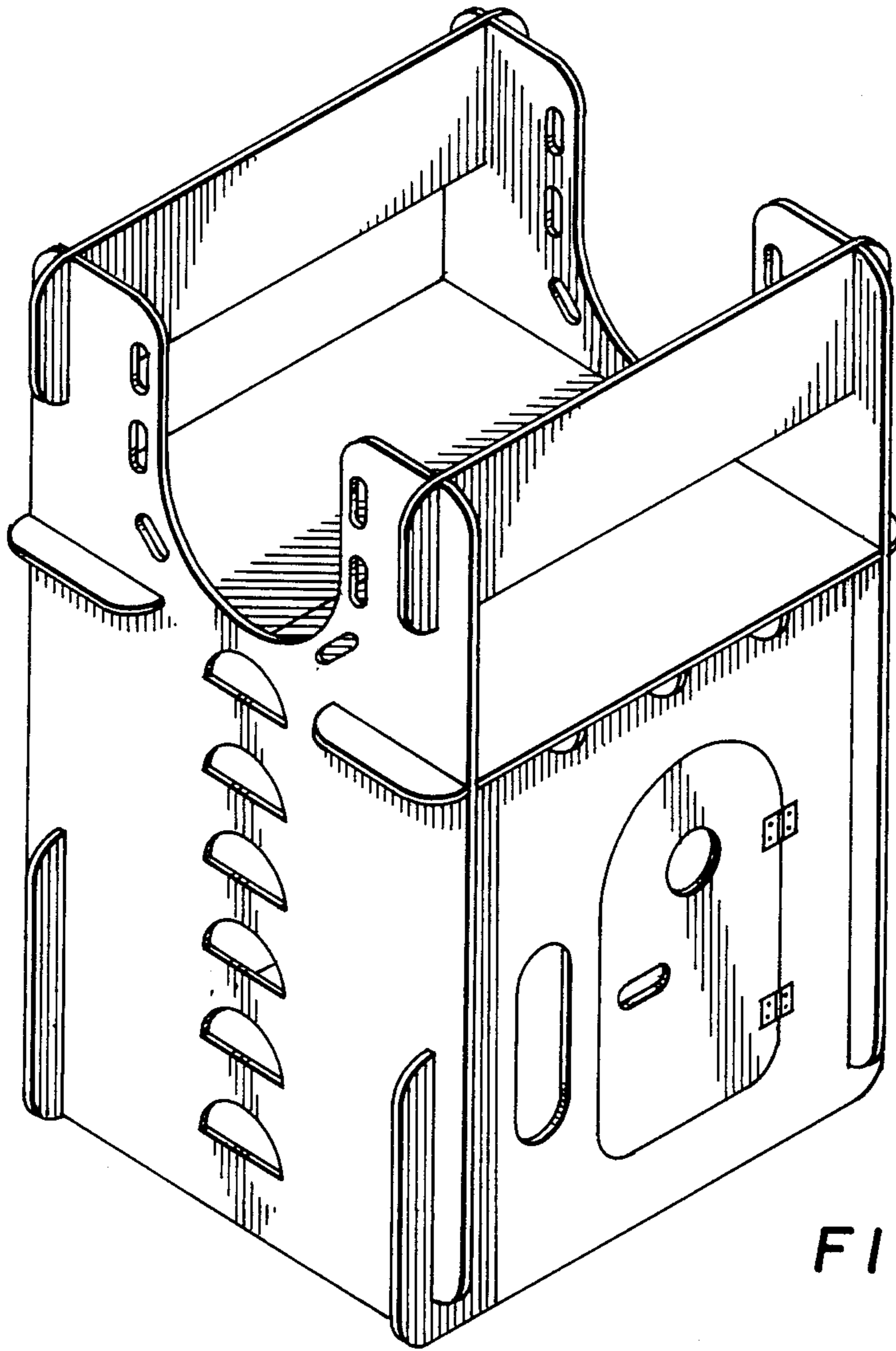


FIG. 1

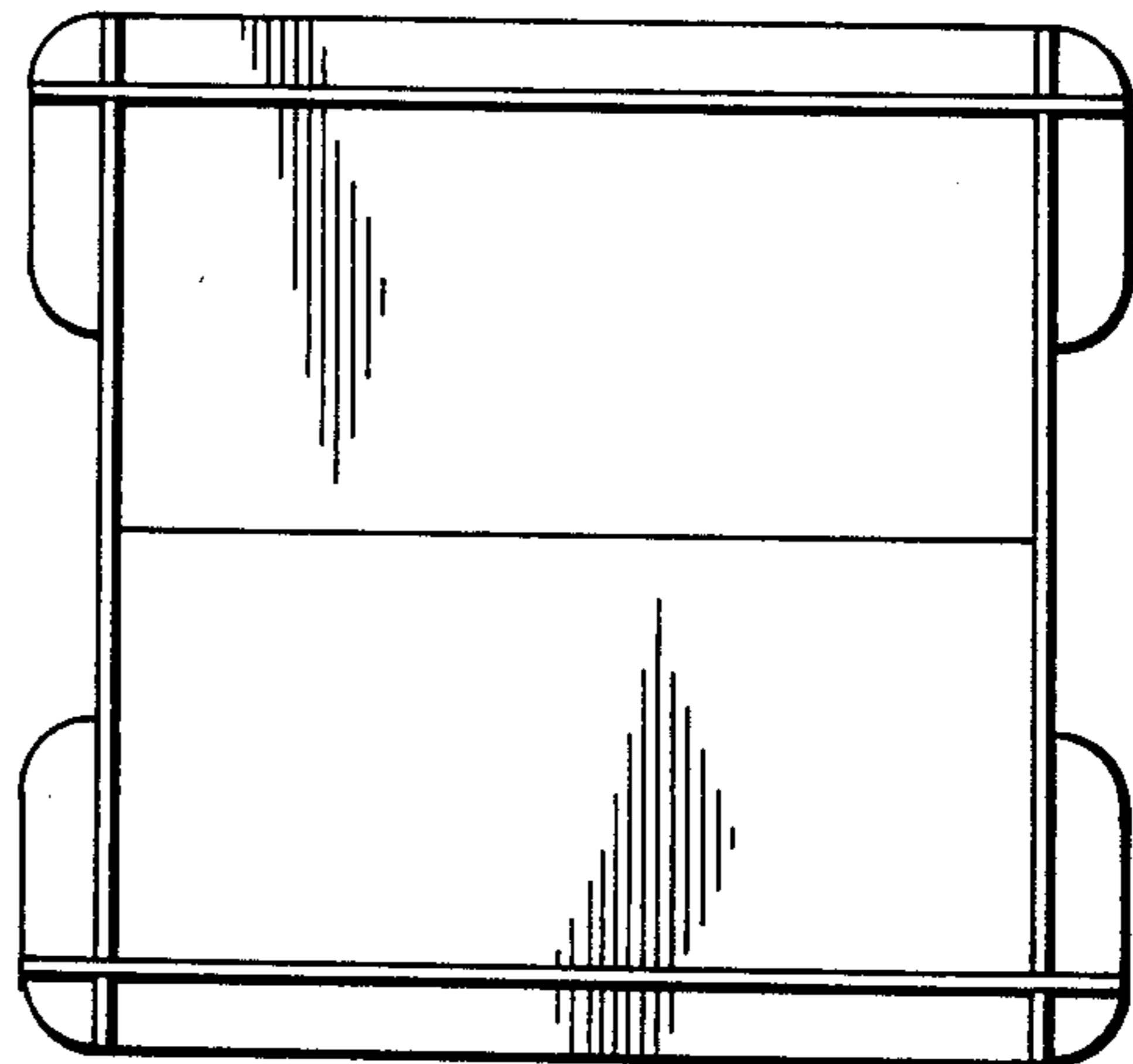


FIG. 3

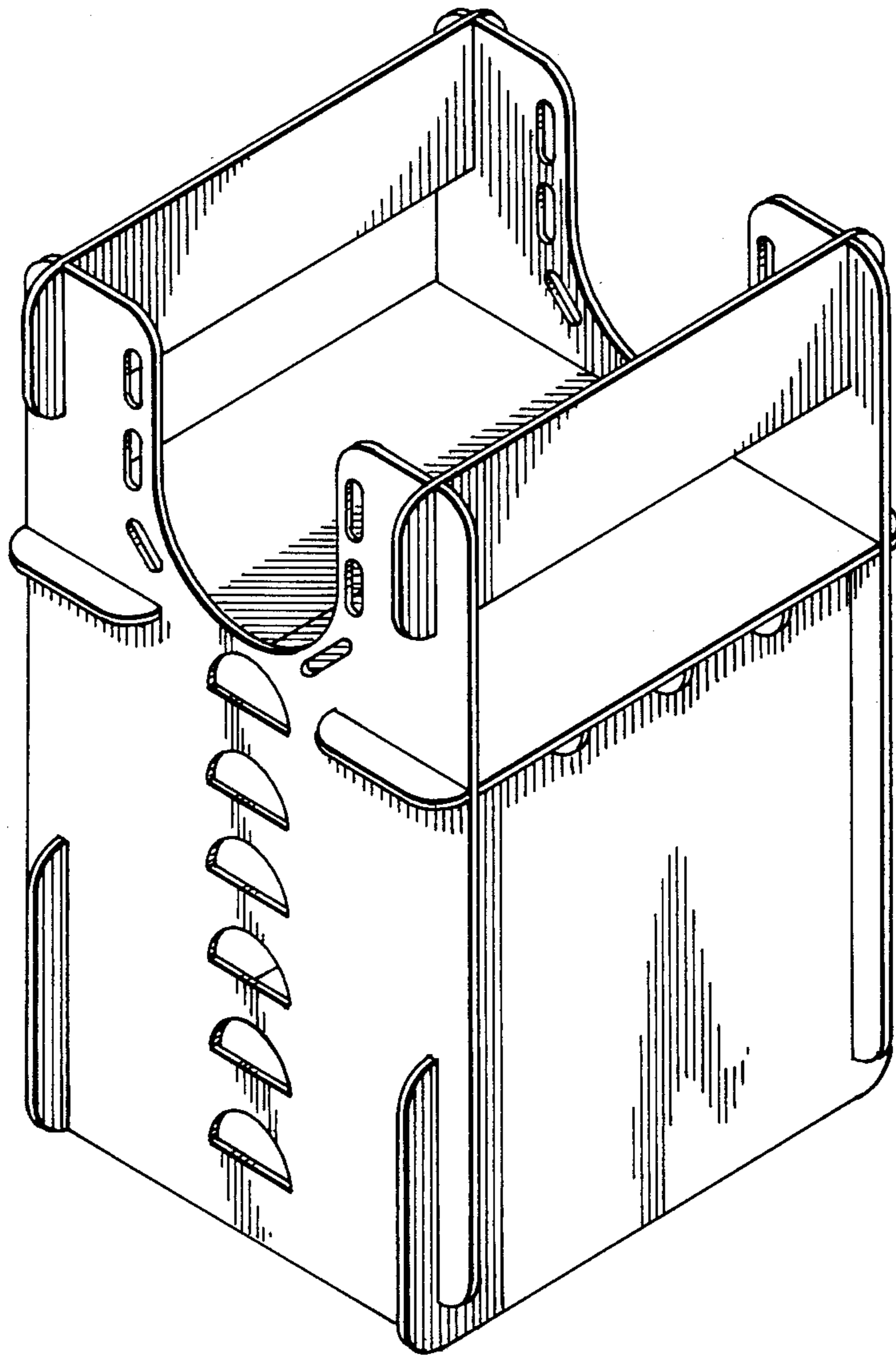


FIG. 2