

[54] TOY HOUSE

[76] Inventor: Elmer C. Powell, Jr., 804 W. Colorado, Dallas, Tex. 75208

[**] Term: 14 Years

[21] Appl. No.: 684,712

[22] Filed: May 10, 1976

[51] Int. Cl. D21-01

[52] U.S. Cl. D34/15 LL

[58] Field of Search D25/1, 18, 31; D34/15 LL, 11 A; 46/12, 13

[56] References Cited

U.S. PATENT DOCUMENTS

3,231,942 2/1966 O'Brien 46/12

D. 87,610 8/1932 Weiss D34/15 LL
D. 195,001 4/1963 Ravreby D34/15 LL
D. 241,959 10/1976 Jaros D34/15 LL

OTHER PUBLICATIONS

Hall's Toy Catalog, 1965, p. 13, Doll House.

Primary Examiner—Joel Stearman

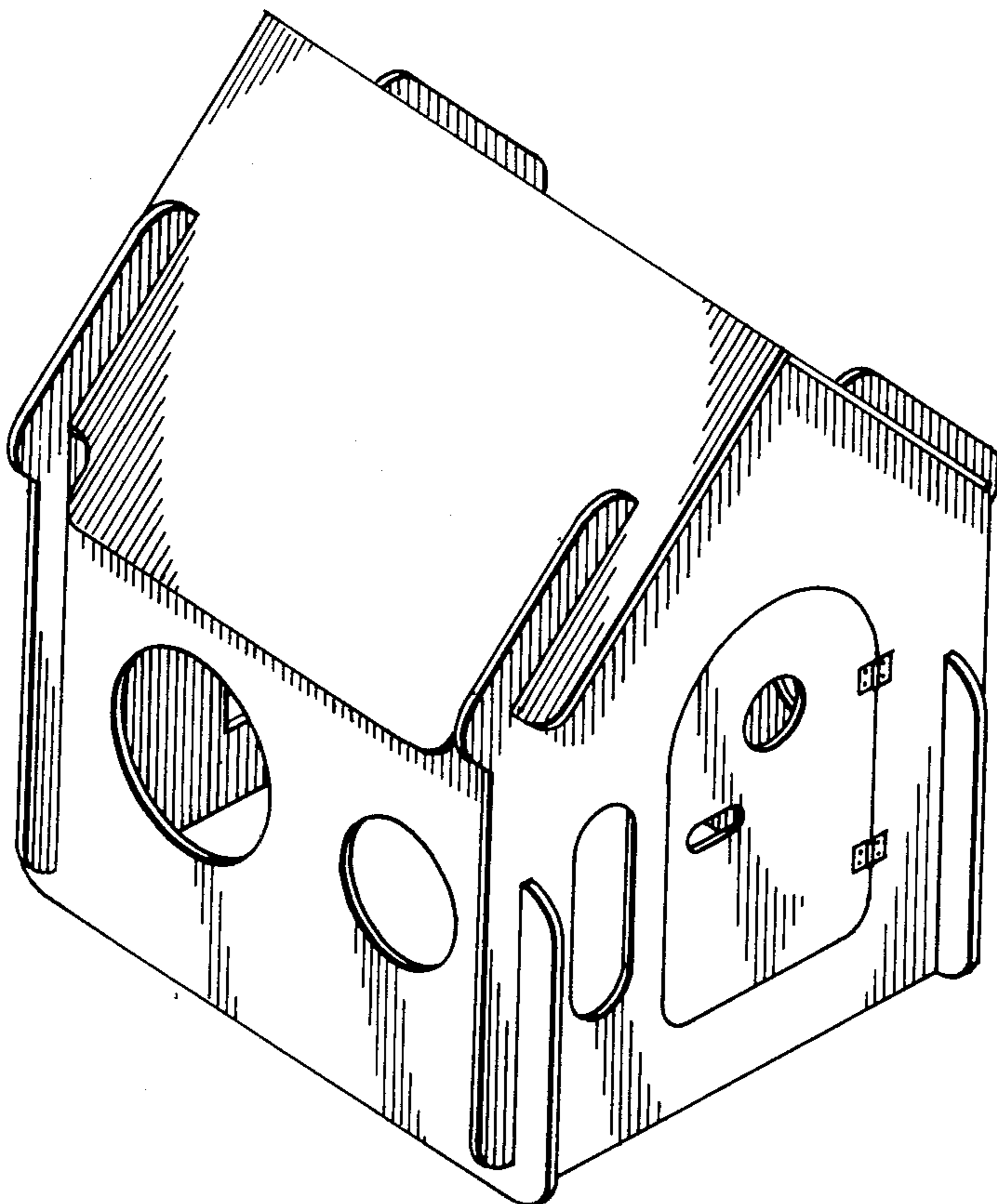
Assistant Examiner—C. A. Rademaker

[57] CLAIM

The ornamental design for a toy house, as shown.

DESCRIPTION

FIG. 1 is a perspective view of toy house, showing the front, top and left side of my new design; and FIG. 2 is a perspective view showing the rear, top and right side thereof.



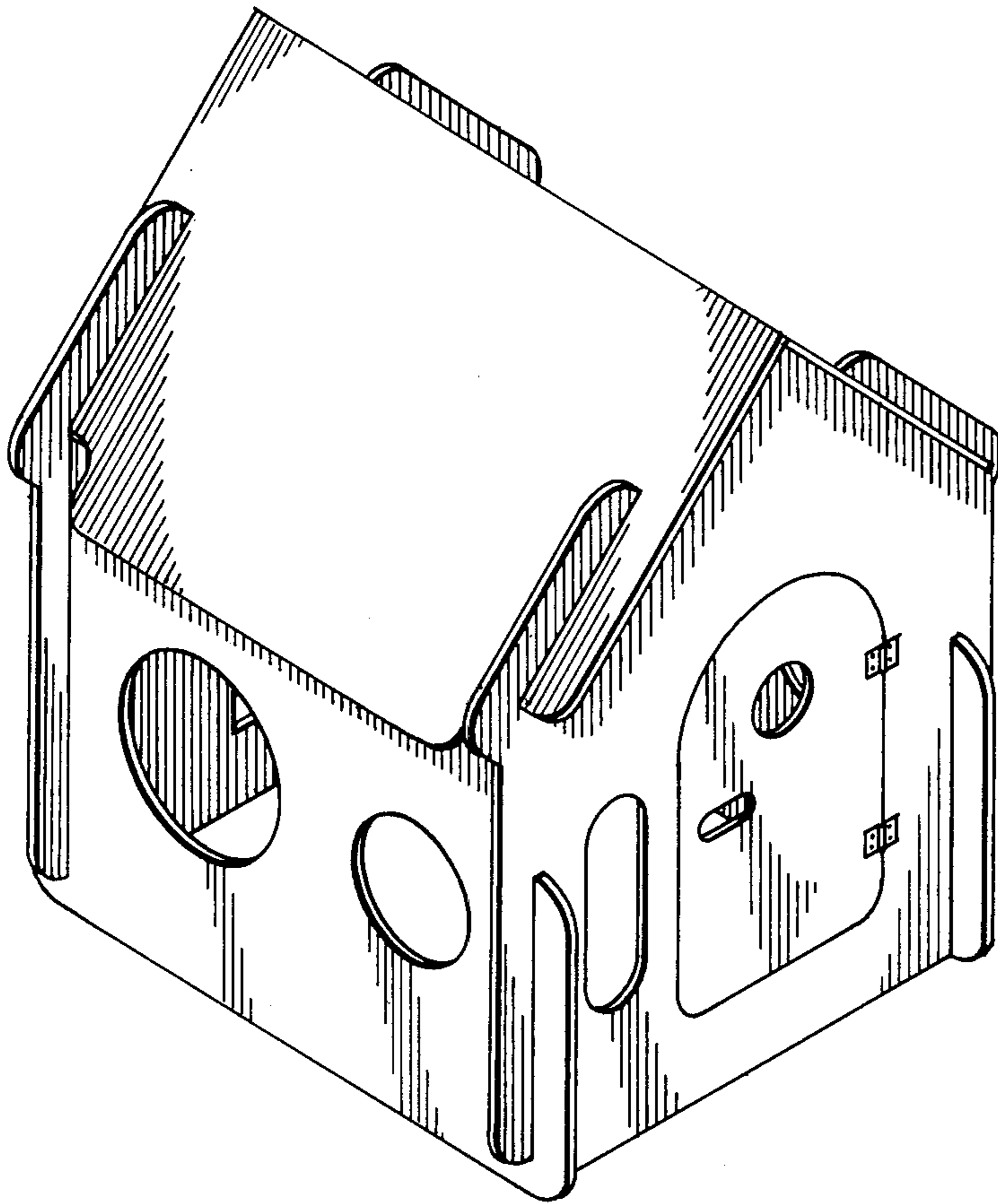


FIG. 1

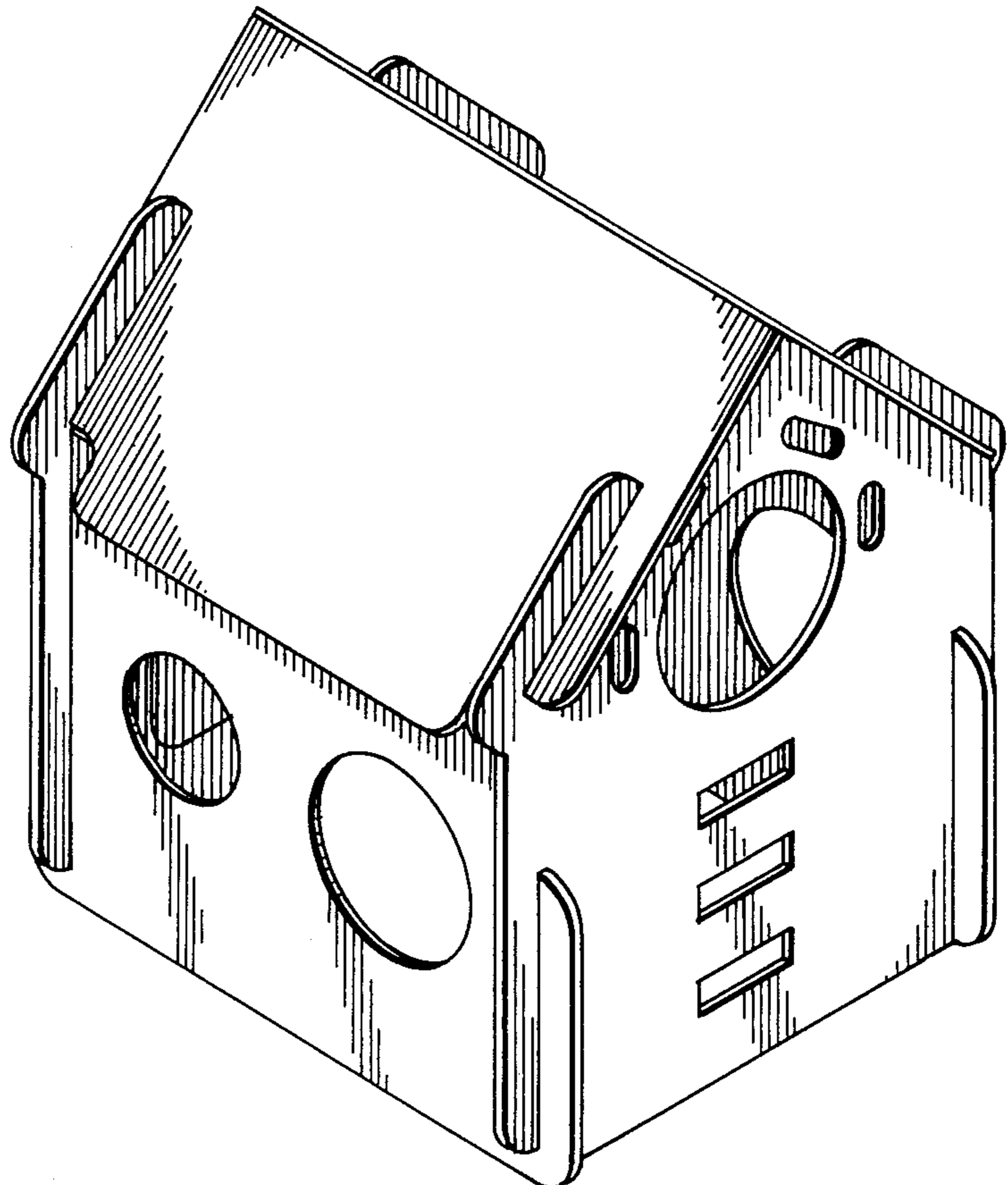


FIG. 2