

[54] CRADLE GYM

[75] Inventor: Kerstin Margaretha  
Hagland-Ahrnborg, Falun, Sweden

[73] Assignee: Brio Toy AB, Sweden

[\*\*] Term: 14 Years

[21] Appl. No.: 644,059

[22] Filed: Dec. 24, 1975

[30] Foreign Application Priority Data

June 30, 1975 Sweden ..... 751314

[51] Int. Cl. .... D21-01

[52] U.S. Cl. .... D34/15 J

[58] Field of Search ..... D34/15 C, 15 D, 15 J,  
D34/15 AG; 46/111, 174, 175 R, 177, 178, 179,  
181, 190, 193, 220; D56/1 G; 35/22 A

[56] References Cited

PUBLICATIONS

Infants' & Children's Wear, Jan. 1946, p. 49, item No. 3, Cradle Gym, at top of page.  
Toys & Novelties, May 1946, p. 39, Cradle Spin.  
Plakie Toy Catalog, May 1951, p. 4, item No. 127, Plakie Gym at right side of page.

Primary Examiner—Joel Stearman  
Assistant Examiner—C. A. Rademaker  
Attorney, Agent, or Firm—Robert Osann

[57] CLAIM

The ornamental design for cradle gym, as shown.

DESCRIPTION

FIG. 1 is a front elevational view of a cradle gym showing my new design.  
FIG. 2 is a top plan view thereof; and  
FIG. 3 is a bottom plan view thereof.

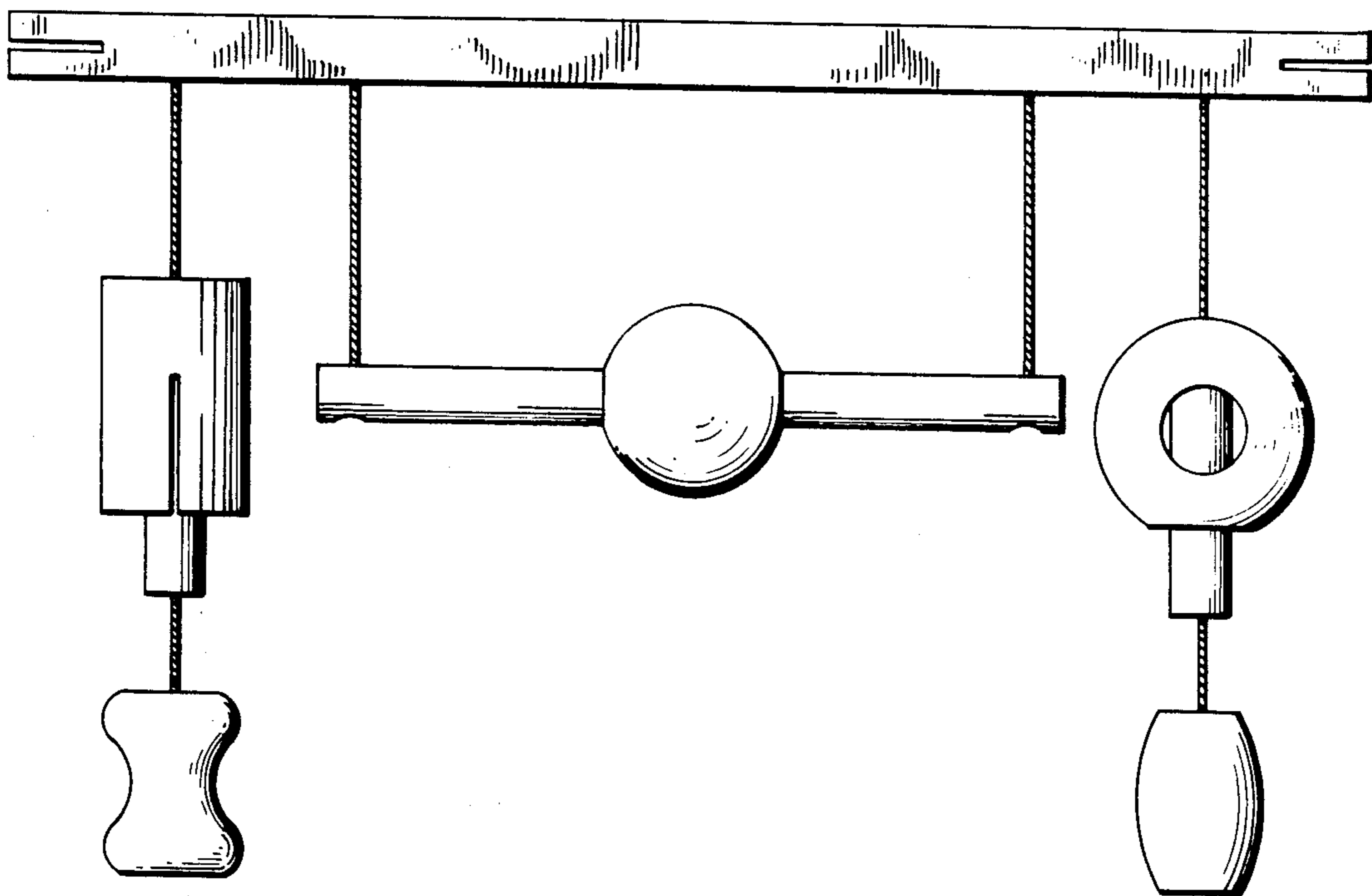


FIG. 1

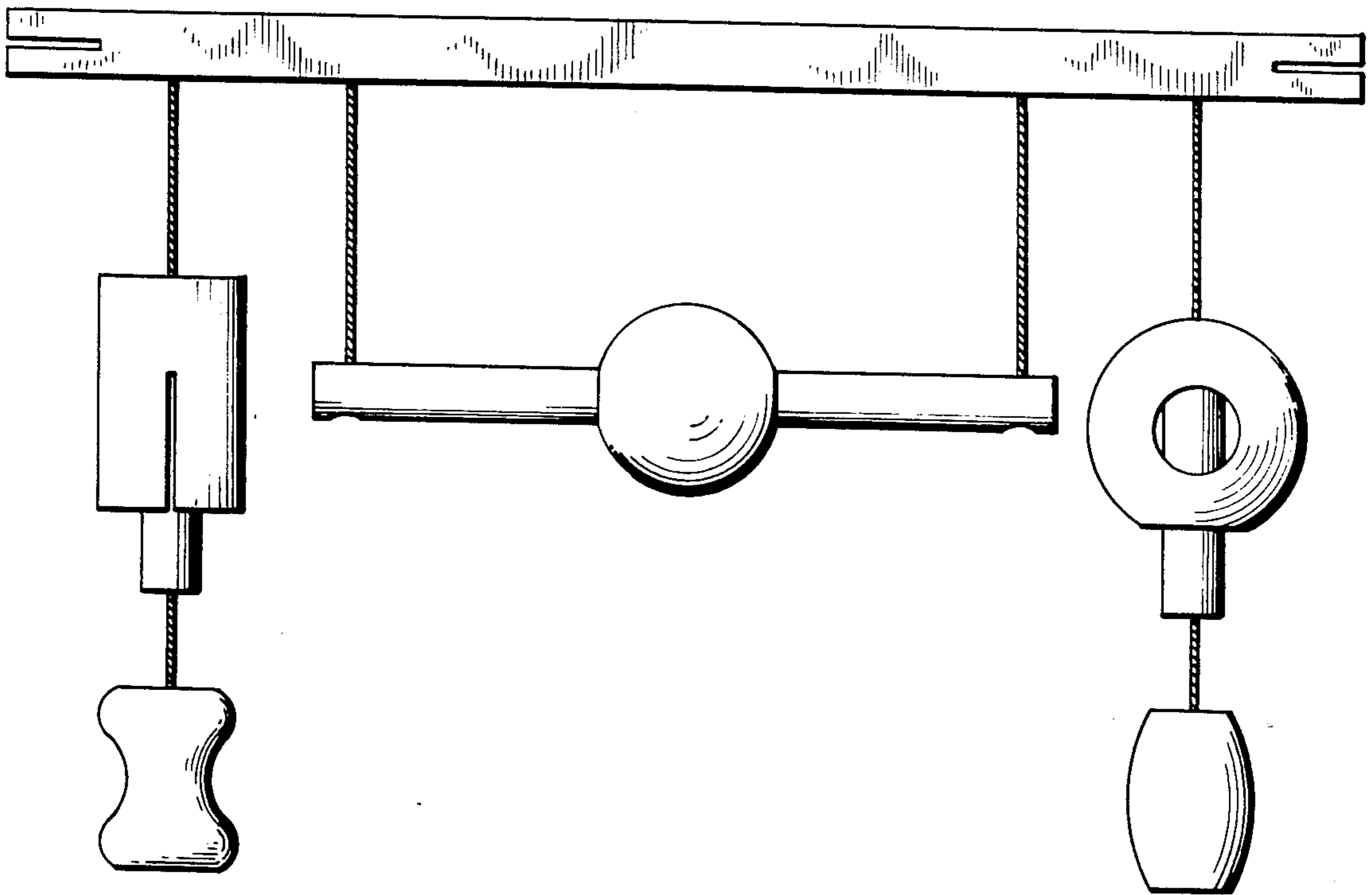


FIG. 2

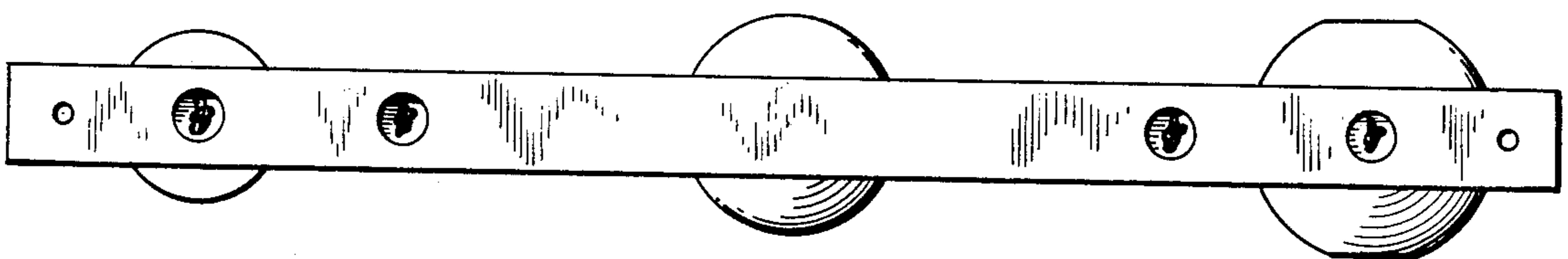


FIG. 3

