

[54] TOY AIRPLANE

[76] Inventor: Harvey H. Jewett, 347 Ram Court SE., Olympia, Wash. 98503

[**] Term: 14 Years

[21] Appl. No.: 528,056

[22] Filed: Nov. 29, 1974

[51] Int. Cl. D21-01

[52] U.S. Cl. D34/15 HH

[58] Field of Search D34/15 AJ, 15 AF, 15 JJ; D12/5, 15, 72, 73, 75; 244/153 R, 154

[56] References Cited

U.S. PATENT DOCUMENTS

- D. 83,551 3/1961 Kreft et al. D34/15 AF
- D. 95,101 4/1935 Williams D34/15 AF

FOREIGN PATENT DOCUMENTS

84,886 4/1952 Norway 244/153

Primary Examiner—Joel Stearman
Assistant Examiner—C. A. Rademaker
Attorney, Agent, or Firm—John W. Kraft

[57] CLAIM

The ornamental design for a toy airplane, substantially as shown.

DESCRIPTION

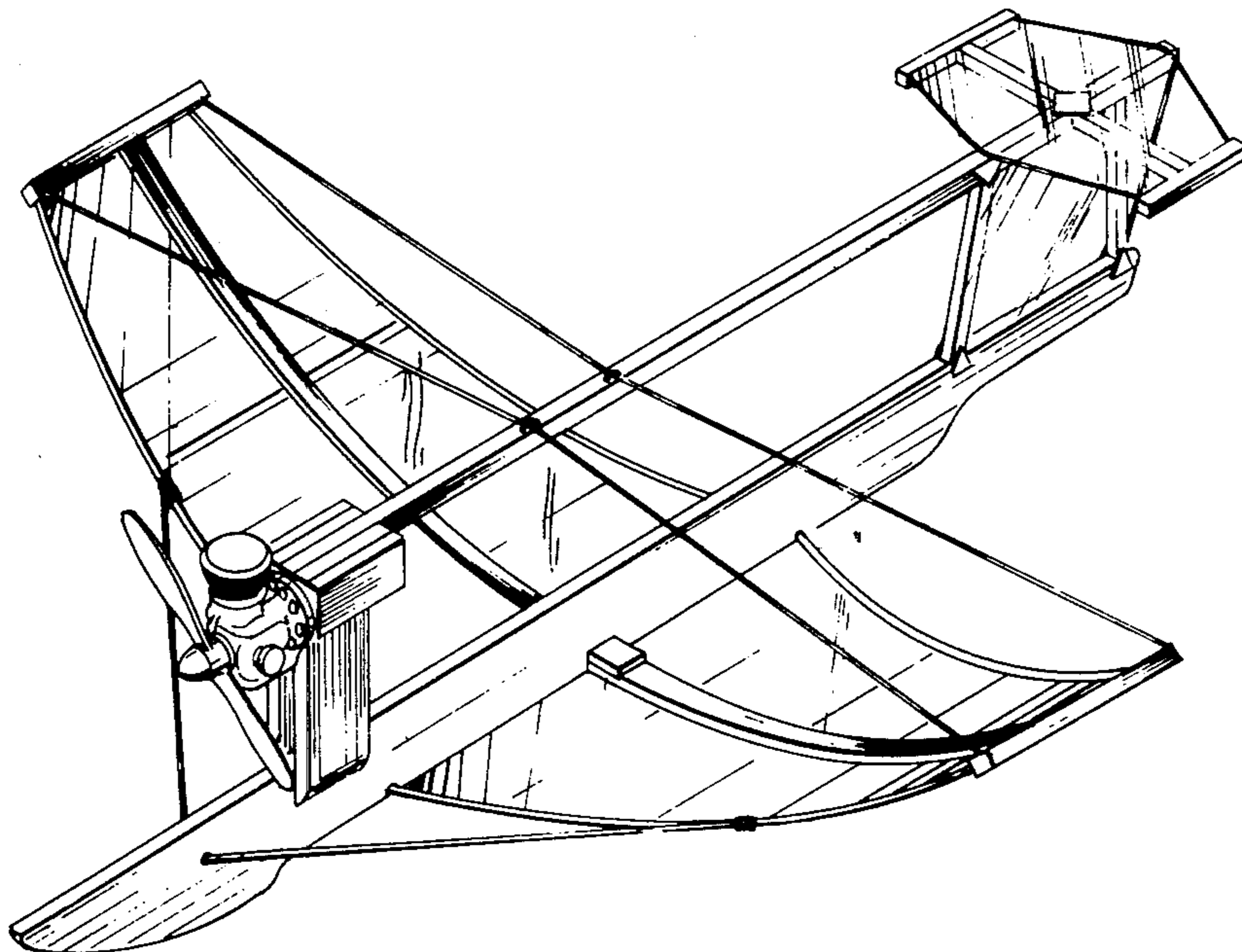
FIG. 1 is a top plan view of a toy airplane showing my new design.

FIG. 2 is a front elevational view thereof;

FIG. 3 is a left side elevational view thereof;

FIG. 4 is a top perspective view thereof; and

FIG. 5 is a bottom plan view thereof.



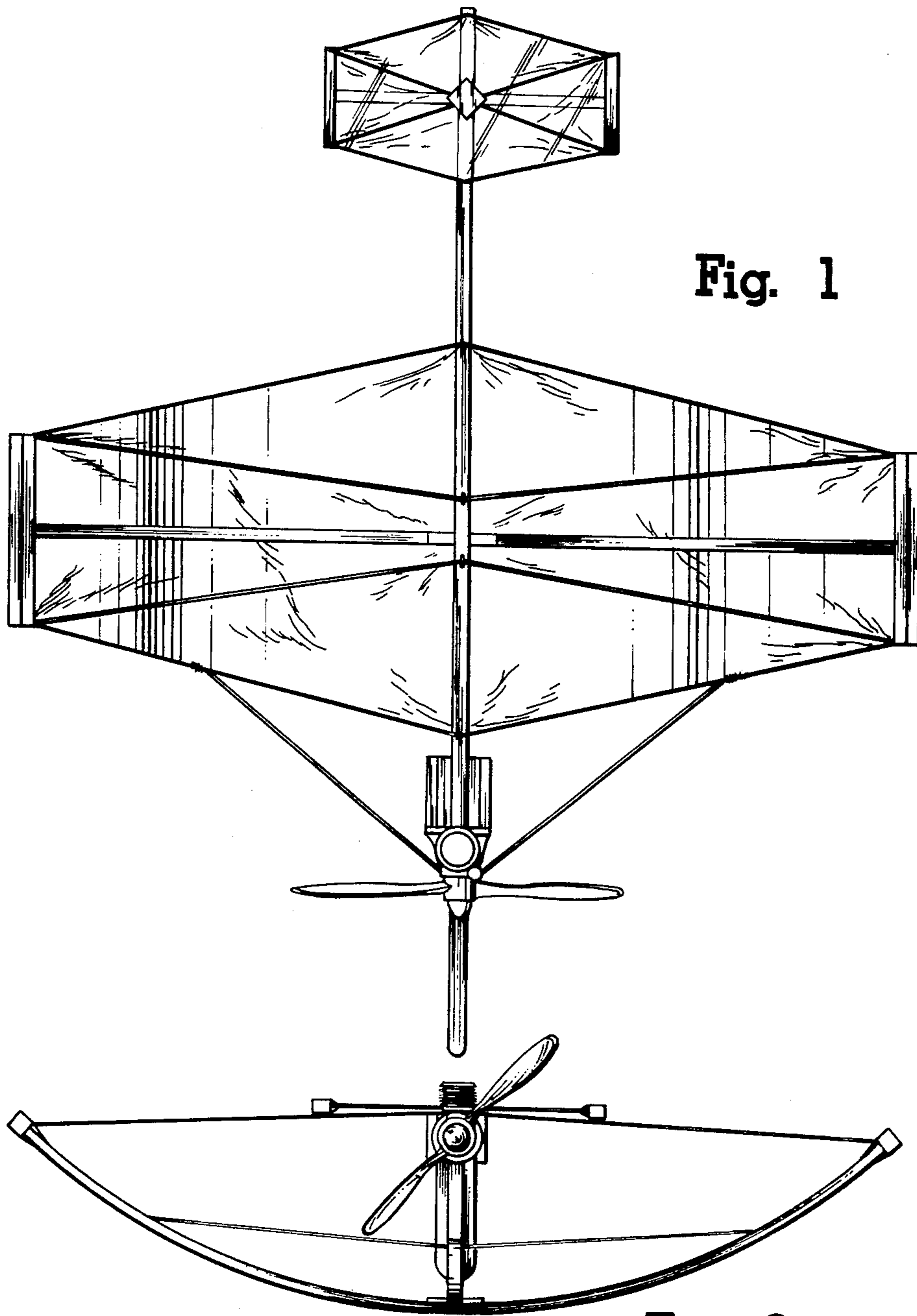


Fig. 1

Fig. 2

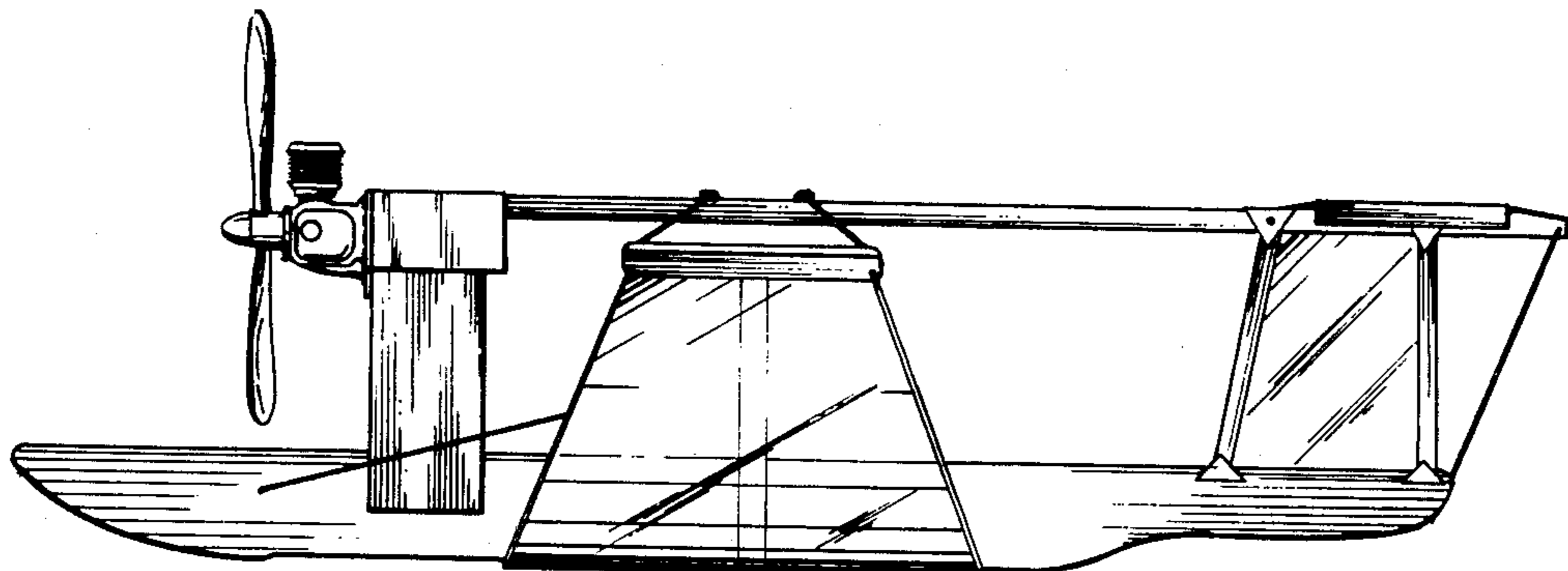


Fig. 3

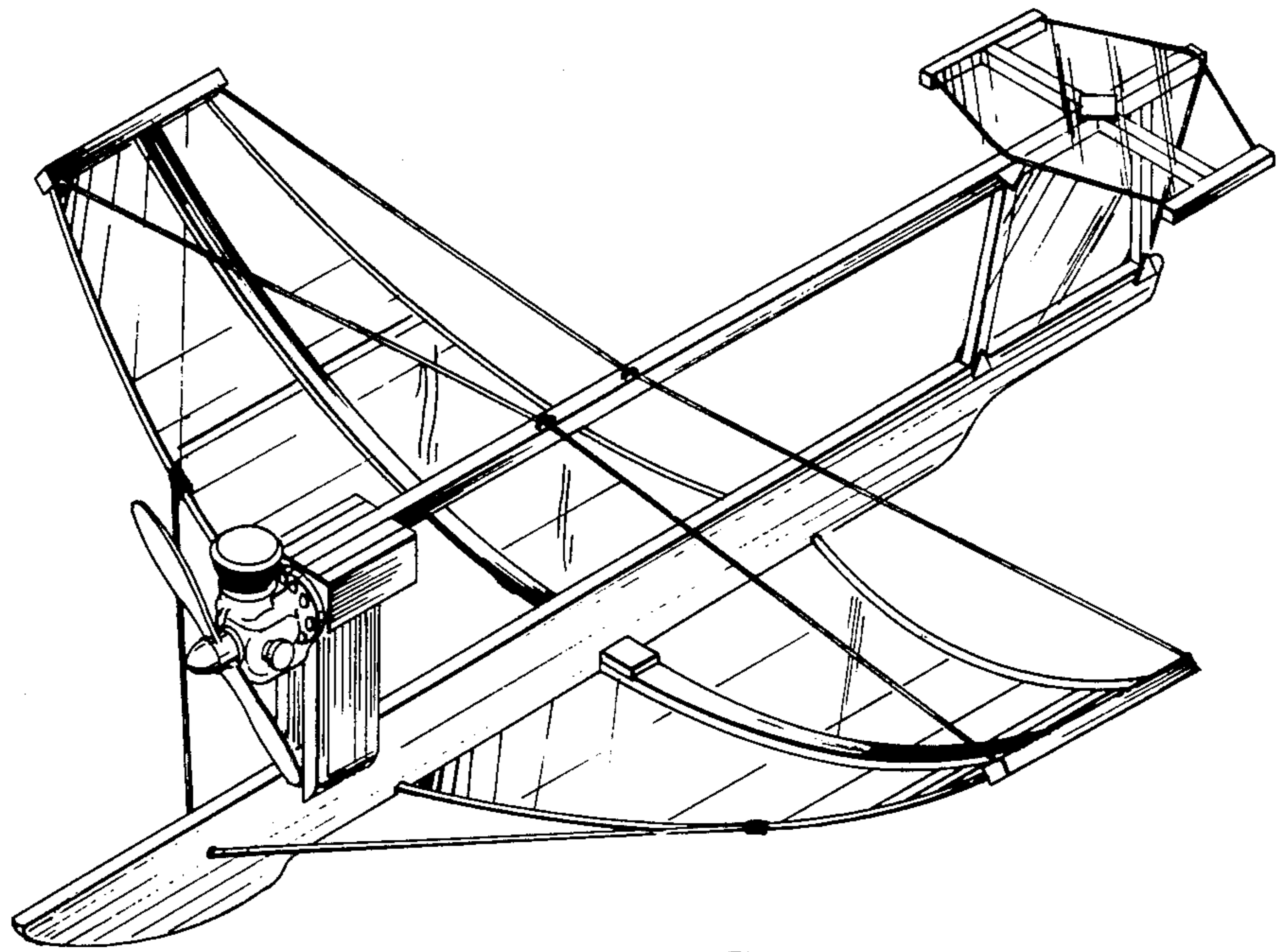


Fig. 4

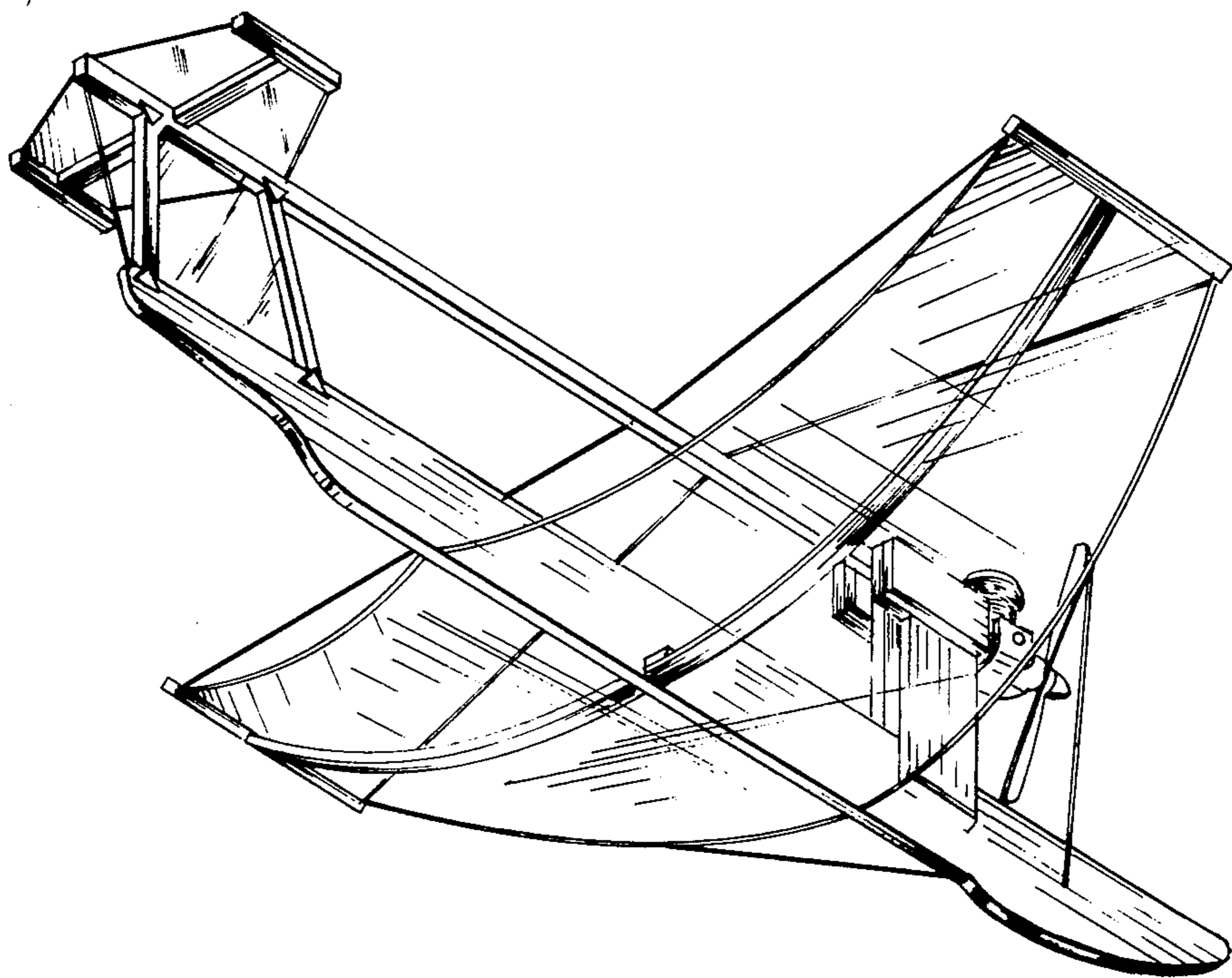


Fig. 5