

- [54] **SOUND REDUCING COVER FOR TELEPRINTER OR THE LIKE**
- [76] Inventor: **Berndt Ebbe Frick, Herrgardsvagen 9, 135 00 Tyreso, Sweden**
- [**] Term: **14 Years**
- [21] Appl. No.: **544,767**
- [22] Filed: **Jan. 28, 1975**
- [30] **Foreign Application Priority Data**
Aug. 5, 1974 Sweden 741241
- [51] Int. Cl. **D14-03**
- [52] U.S. Cl. **D14/93**
- [58] Field of Search **D26/14 R, 5 C, 5 R; 312/21; 178/23 R, 26 A, 27**

- [56] **References Cited**
U.S. PATENT DOCUMENTS
3,014,094 12/1961 Nordin D26/14 I
D. 129,765 9/1941 Lauder et al. D26/14 I
D. 218,752 9/1970 Ingram D26/14 I
D. 220,188 3/1971 Kalvitis D26/14 I
D. 233,718 11/1974 Panzica D26/14 I

Primary Examiner—Bernard Ansher
Attorney, Agent, or Firm—William L. Mathis

[57] **CLAIM**
The ornamental design for a sound reducing cover for teleprinter or the like, as shown and described.

DESCRIPTION
FIG. 1 is a top perspective view of a sound reducing cover for a teleprinter or the like, showing my new design; and
FIG. 2 is a bottom plan view thereof.

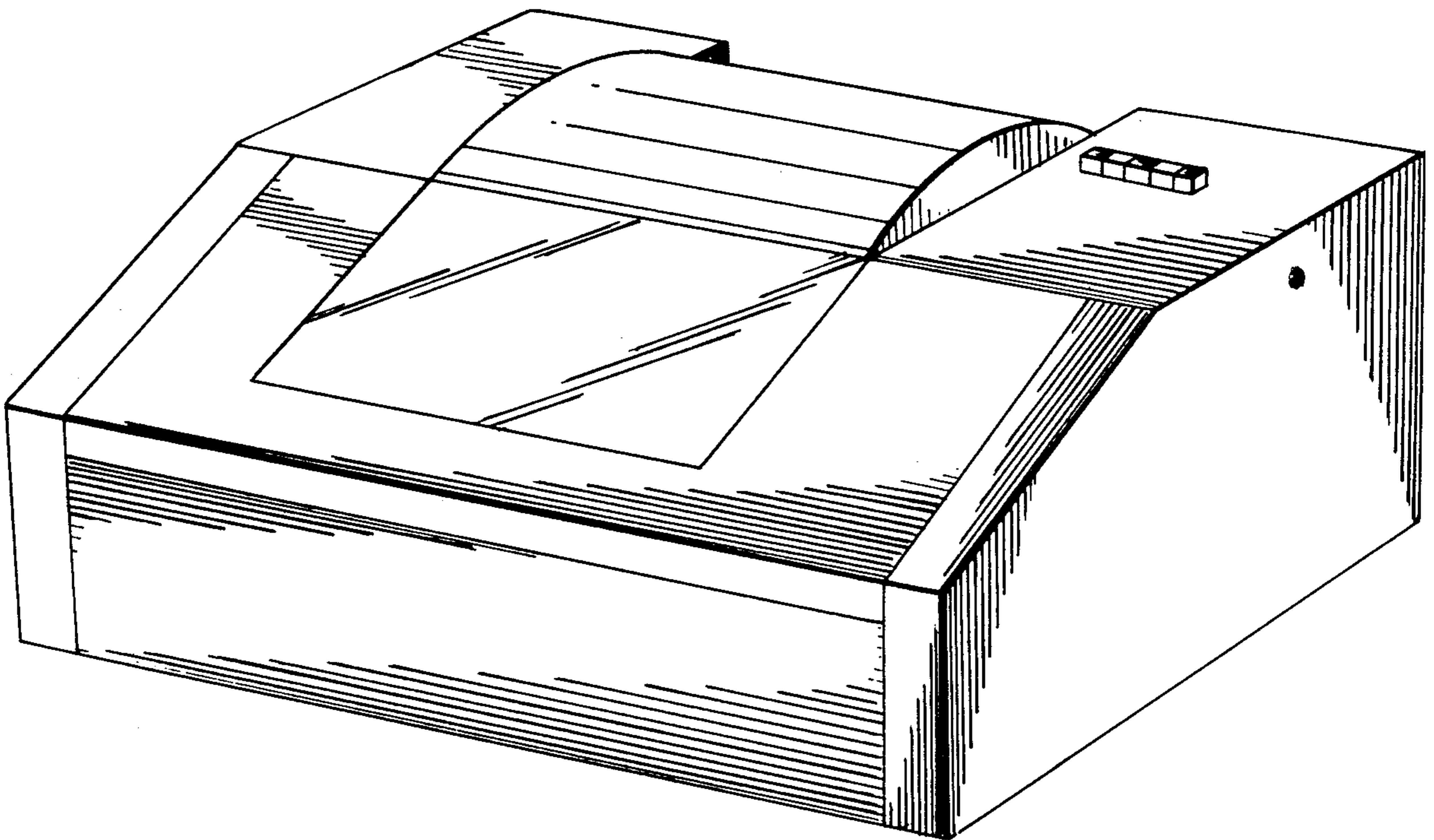


FIG. 1

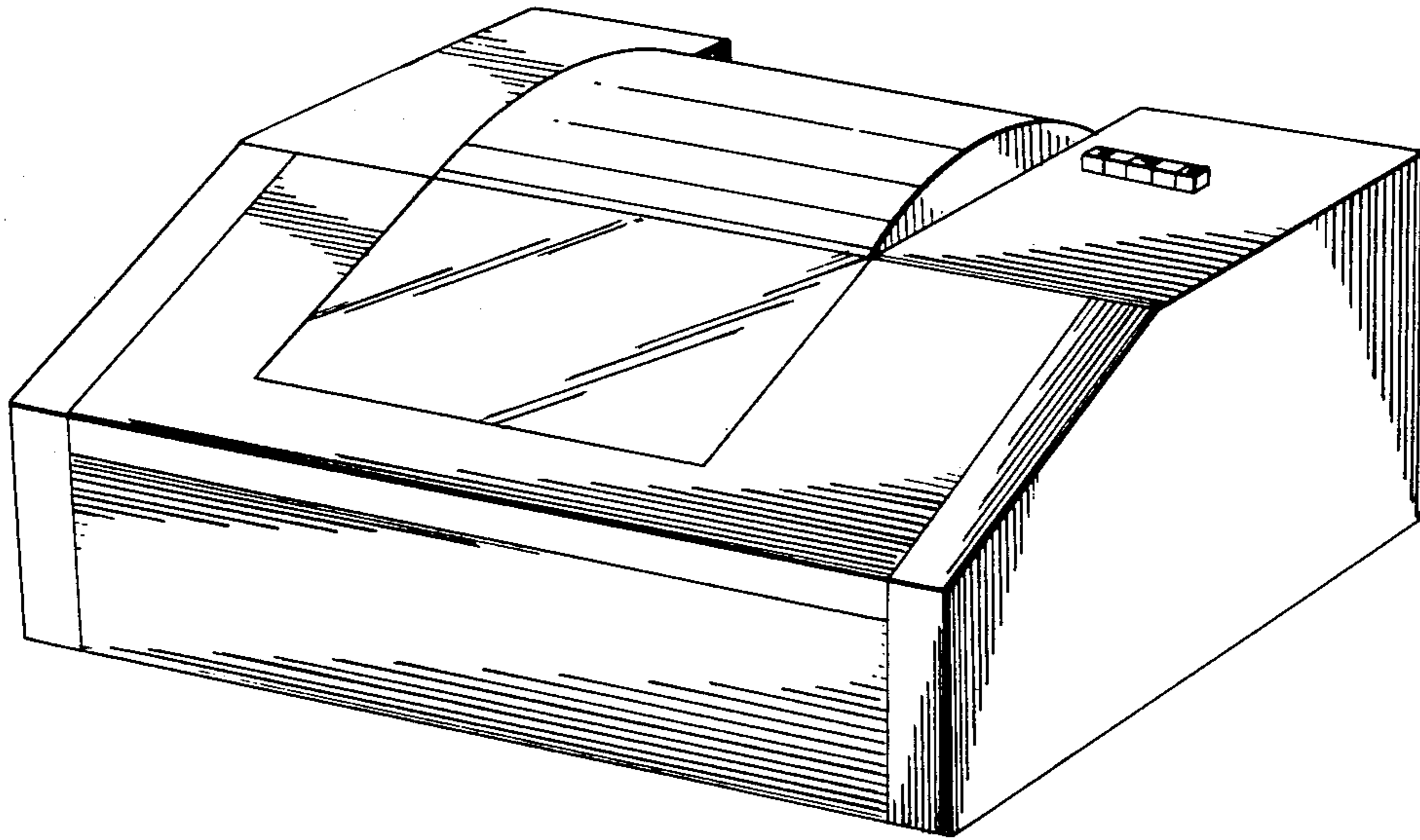


FIG. 2

