

- [54] TAPE CASSETTE
- [75] Inventor: Yoshio Kishi, Tokyo, Japan
- [73] Assignee: Sony Corporation, Tokyo, Japan
- [**] Term: 14 Years
- [21] Appl. No.: 699,980
- [22] Filed: June 25, 1976
- [30] Foreign Application Priority Data
Dec. 27, 1975 Japan 50-51656
- [51] Int. Cl. D14-02
- [52] U.S. Cl. D14/11
- [58] Field of Search D26/14 B, 112; 206/307,
206/316, 387, 444; 220/1 A; 360/93-96,
132-134; 242/197-200, 68, 71-77; 274/11

- [56] References Cited
- U.S. PATENT DOCUMENTS
- | | | | |
|------------|---------|-------------------|----------|
| 3,848,265 | 11/1974 | Biery et al. | 360/132 |
| D. 222,911 | 2/1972 | Weiss et al. | D26/14 B |
| D. 236,502 | 8/1975 | Saito | D26/14 B |

Primary Examiner—Wallace R. Burke
Assistant Examiner—Catherine Kemper
Attorney, Agent, or Firm—Lewis H. Eslinger

[57] CLAIM

The ornamental design for a tape cassette, as shown.

DESCRIPTION

FIG. 1 is a front perspective view of a tape cassette, showing my new design;
FIG. 2 is a rear elevational view thereof;
FIG. 3 is a left side elevational view thereof; and
FIG. 4 is a bottom plan view thereof.

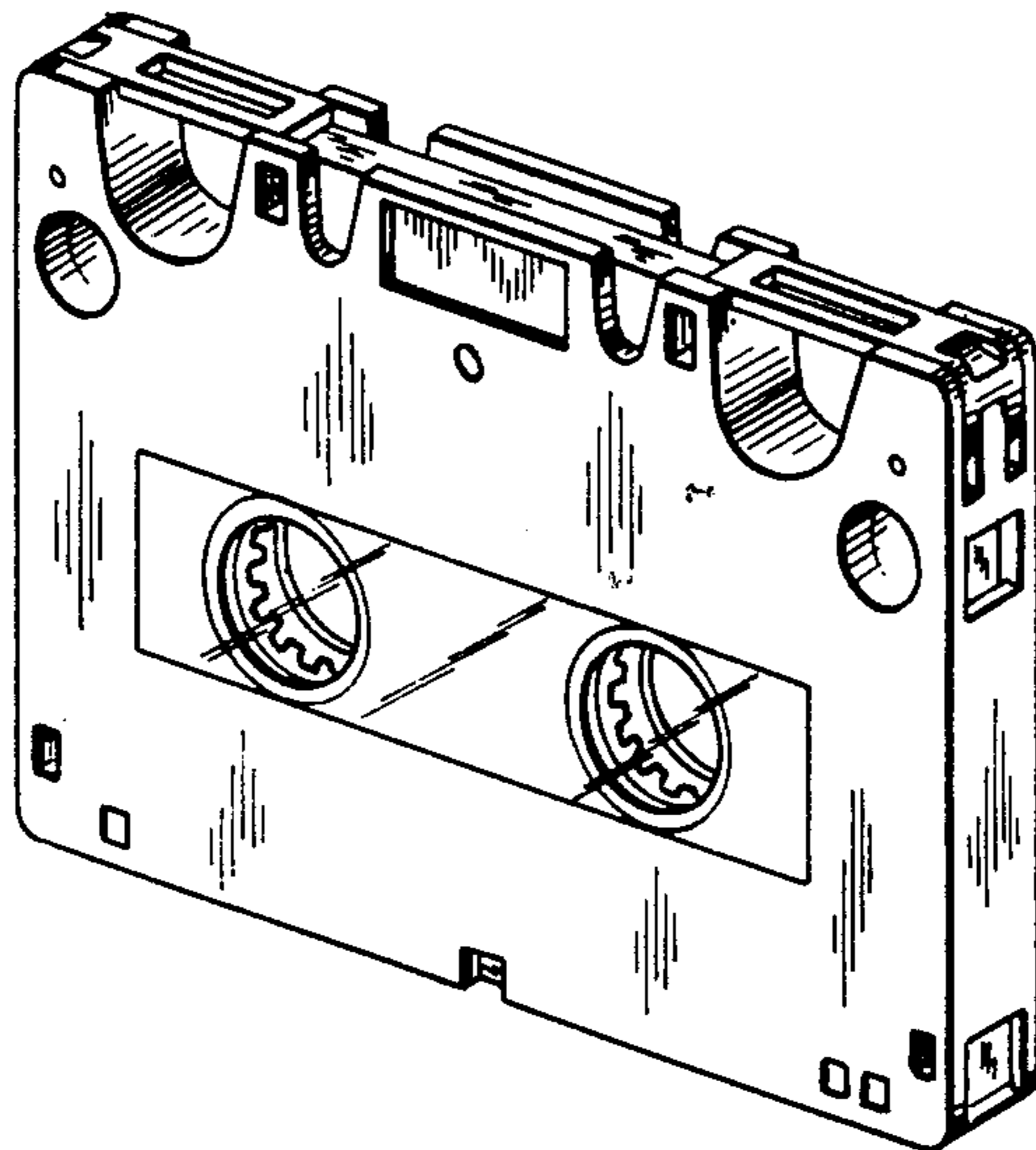


FIG. 1

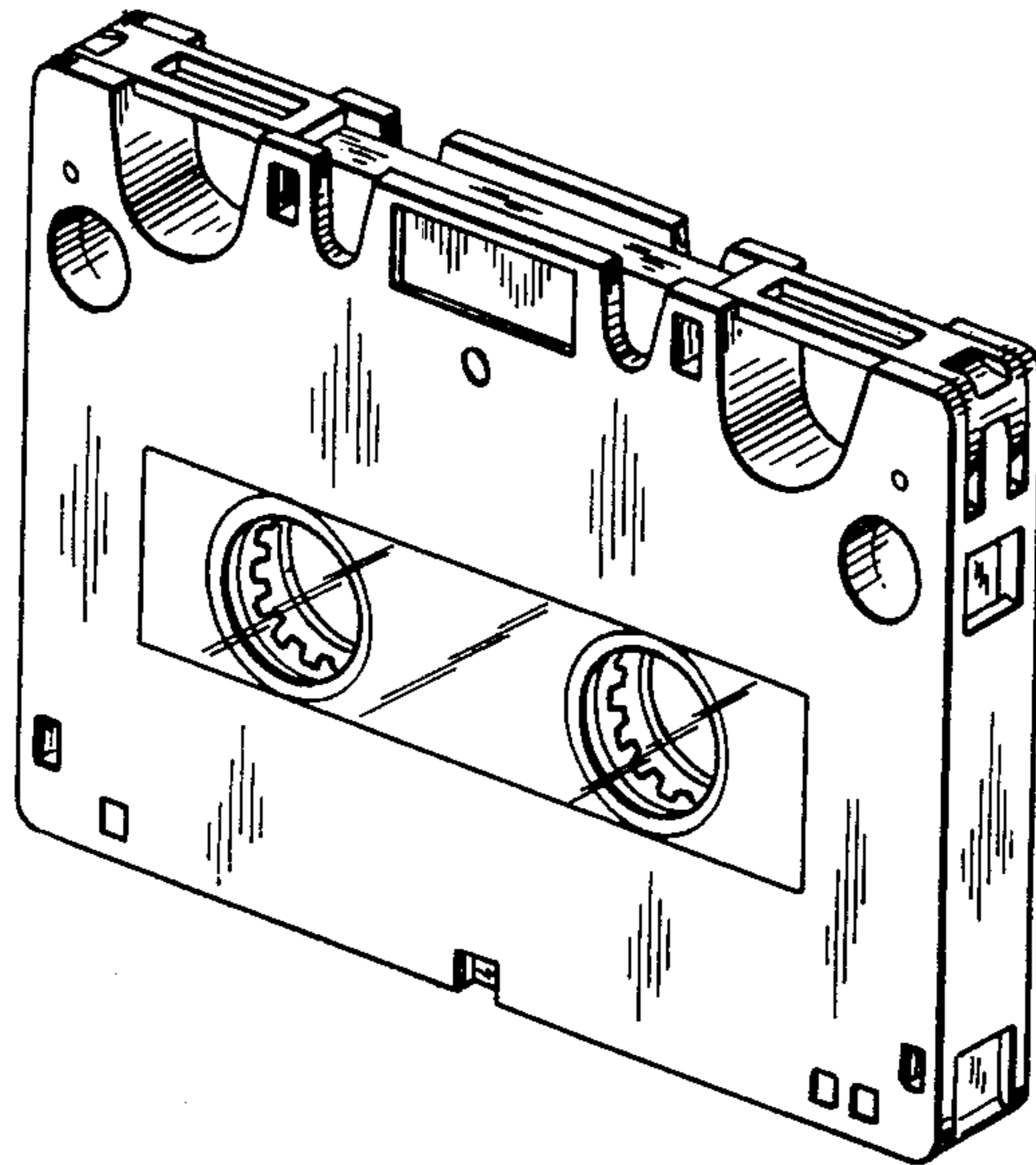


FIG. 3

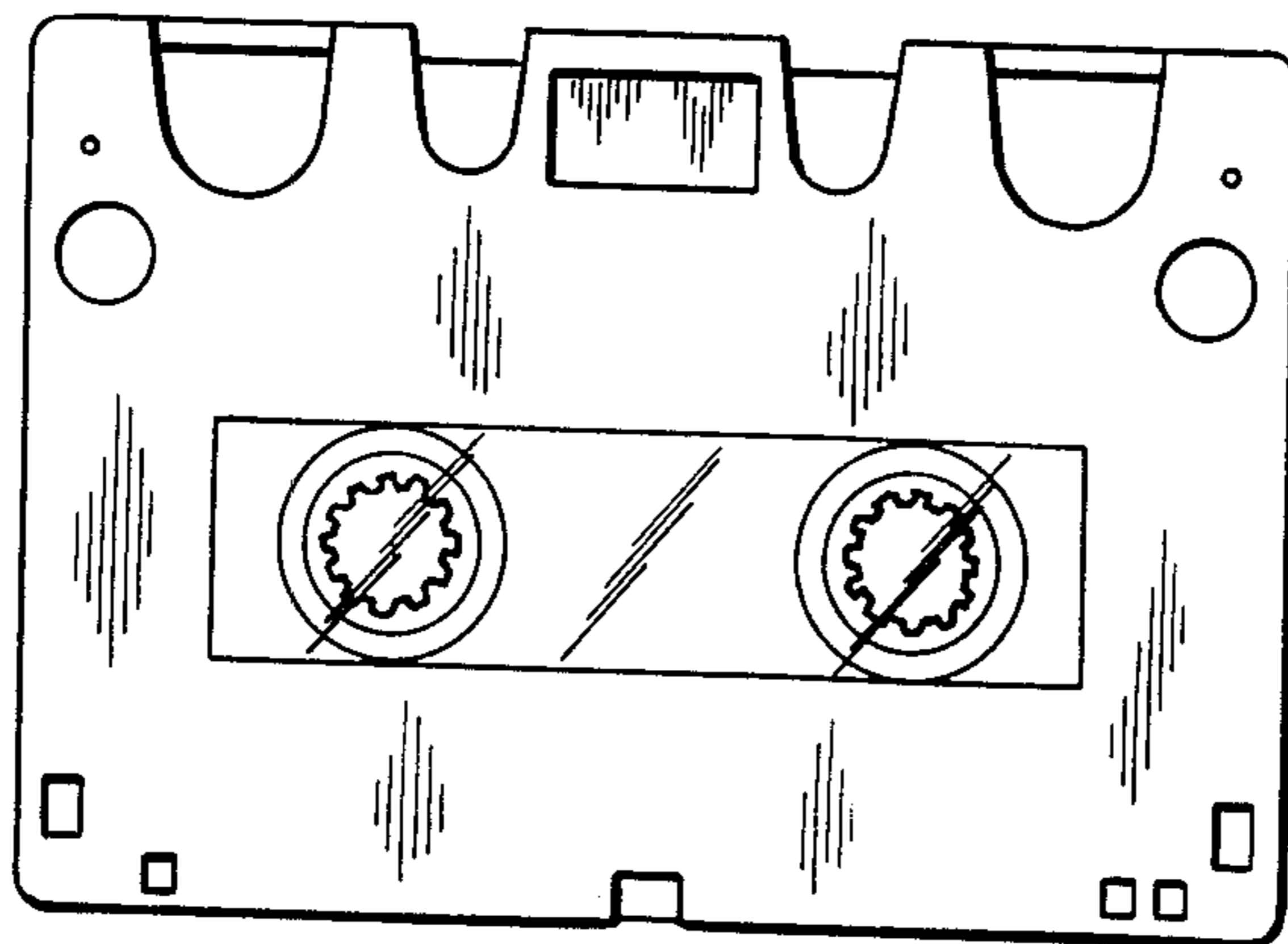
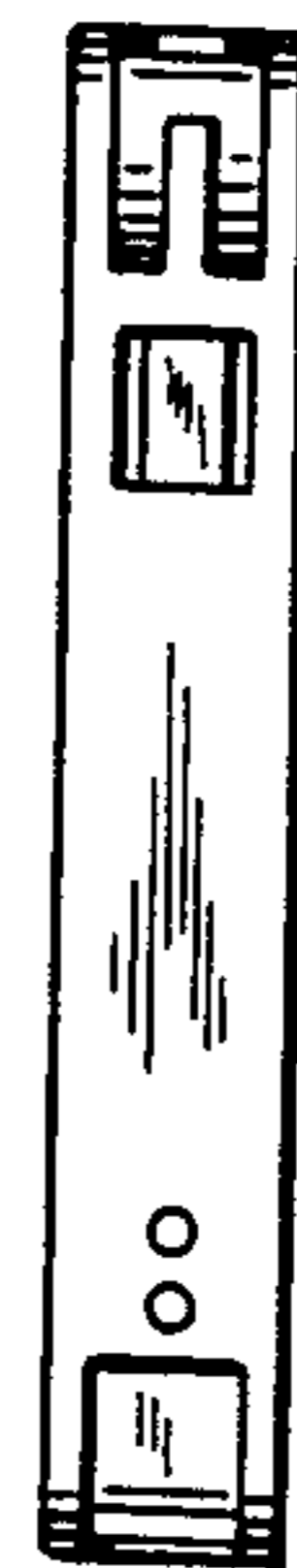


FIG. 2

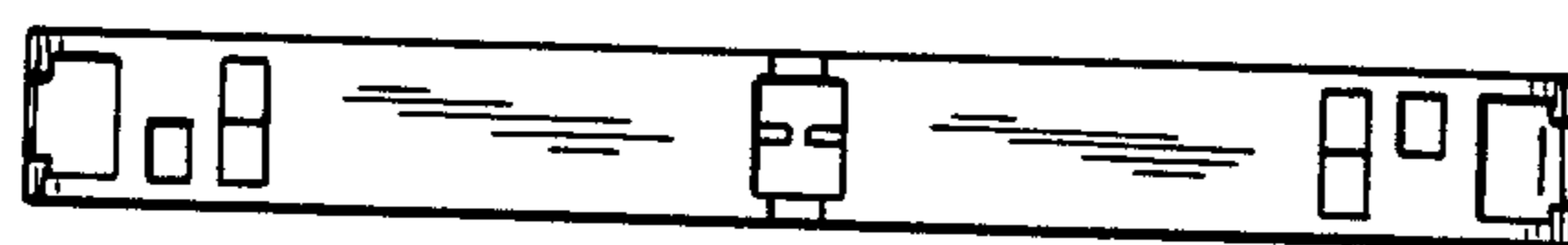


FIG. 4