

[54] CHARCOAL FIRE STARTER

[76] Inventor: Duane L. Storandt, 12 Hanley Downs, St. Louis, Mo. 63117

[\*\*] Term: 14 Years

[21] Appl. No.: 719,171

[22] Filed: Aug. 31, 1976

[51] Int. Cl. .... D23-99

[52] U.S. Cl. .... D23/90.1

[58] Field of Search ..... D23/90.1; 110/1 F; 126/25 B

[56] References Cited

U.S. PATENT DOCUMENTS

3,116,704	1/1964	Byars, Sr. et al. ....	126/25 B X
3,167,040	1/1965	Byars, Sr. et al. ....	110/1 F
3,296,984	1/1967	Durfee .....	110/1 F
3,453,975	7/1969	Gunter .....	110/1 F
3,884,214	5/1975	Duncan .....	126/25 B
3,903,866	9/1975	Polinski .....	D23/90.1 X
3,934,520	1/1976	Brennan et al. ....	110/1 F

D. 196,827	11/1963	Jarvis .....	D23/90.1
D. 198,733	7/1964	Arena .....	D23/90.1
D. 217,184	4/1970	Davis .....	D23/90.1
D. 223,722	5/1972	Stehouwer .....	D23/90.1

OTHER PUBLICATIONS

Housewares Review, Apr. 1962, p. A7.

Primary Examiner—James R. Largen

Attorney, Agent, or Firm—Robert J. Eck

[57] CLAIM

The ornamental design for a charcoal fire starter, as shown and described.

DESCRIPTION

FIG. 1 is a top view of a charcoal fire starter showing my new design.

FIG. 2 is a front elevational view thereof, the rear being a mirror image of the front shown.

FIG. 3 is a right side elevational view thereof.

FIG. 4 is a left side elevational view thereof.

FIG. 5 is a bottom view thereof.

FIG. 6 is an elevational view taken on line 6—6 of FIG. 1.

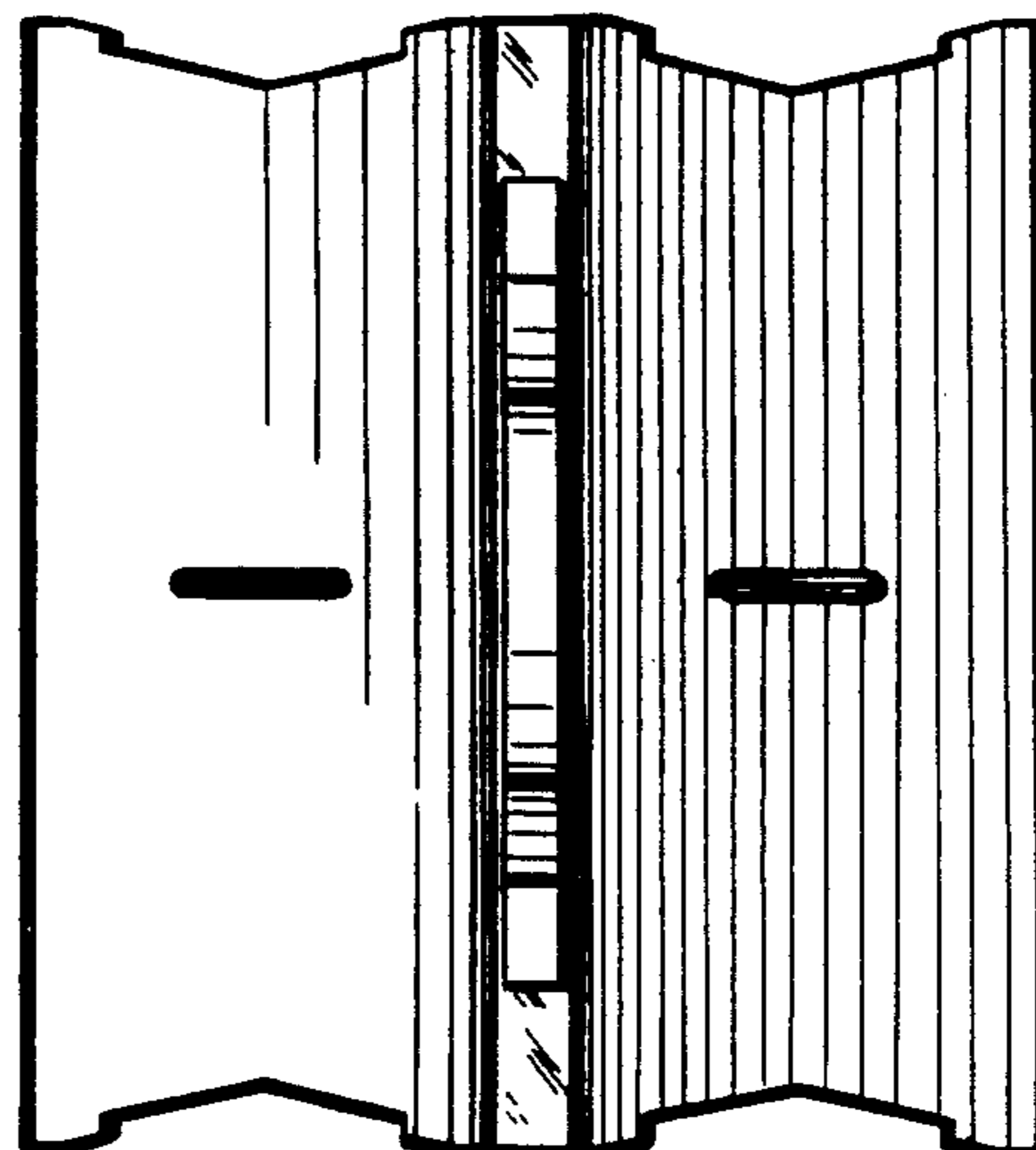
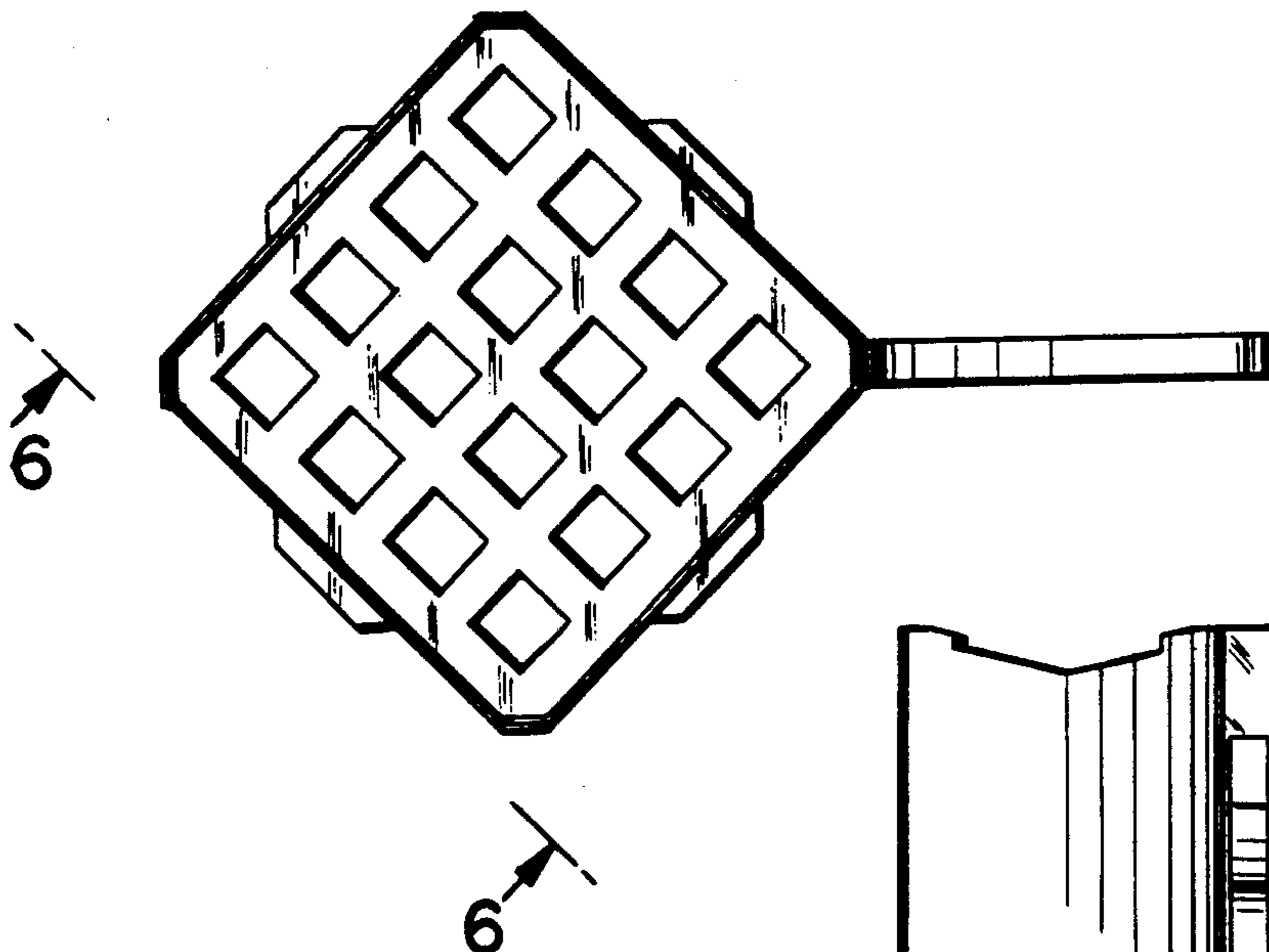


FIG. 1

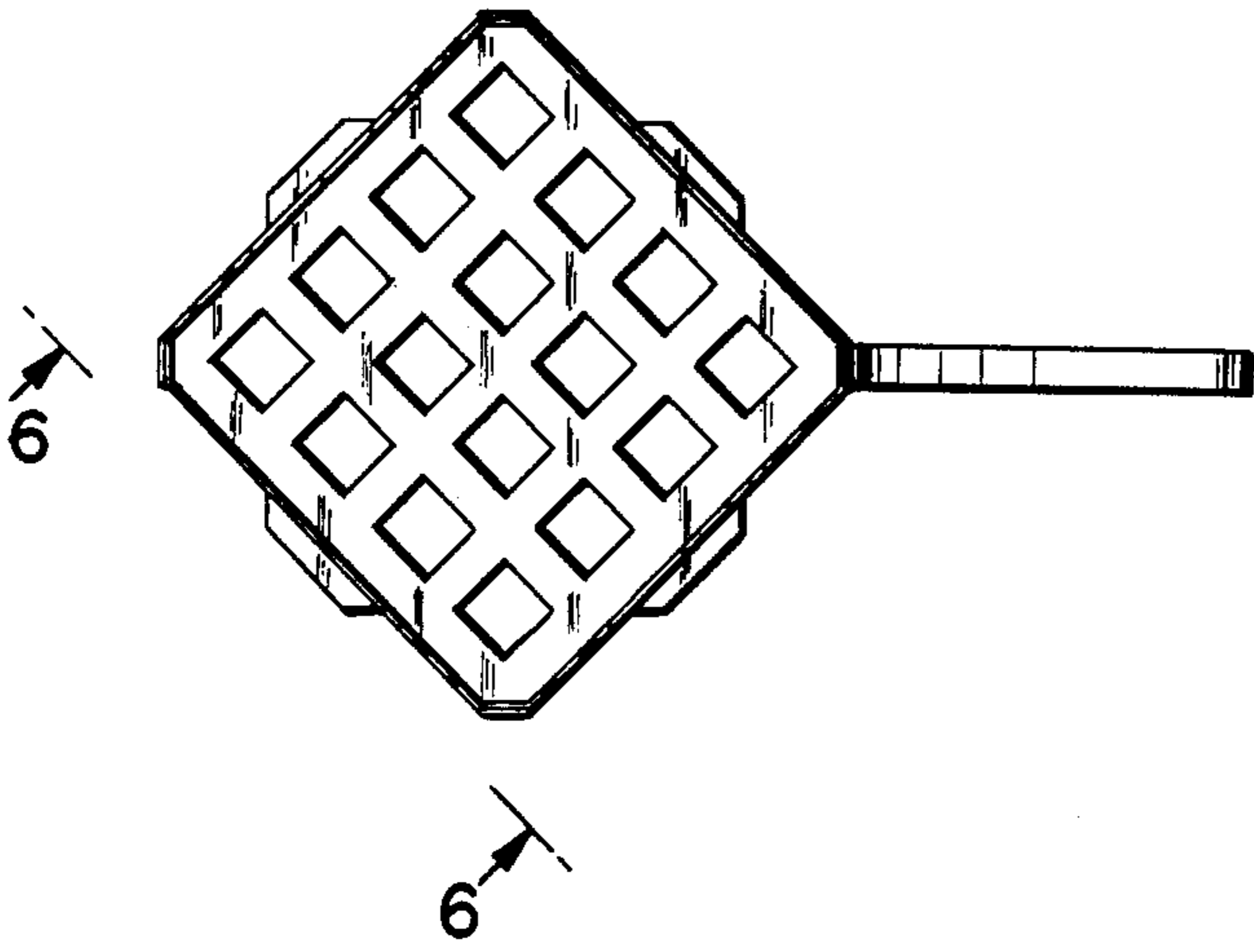


FIG. 3

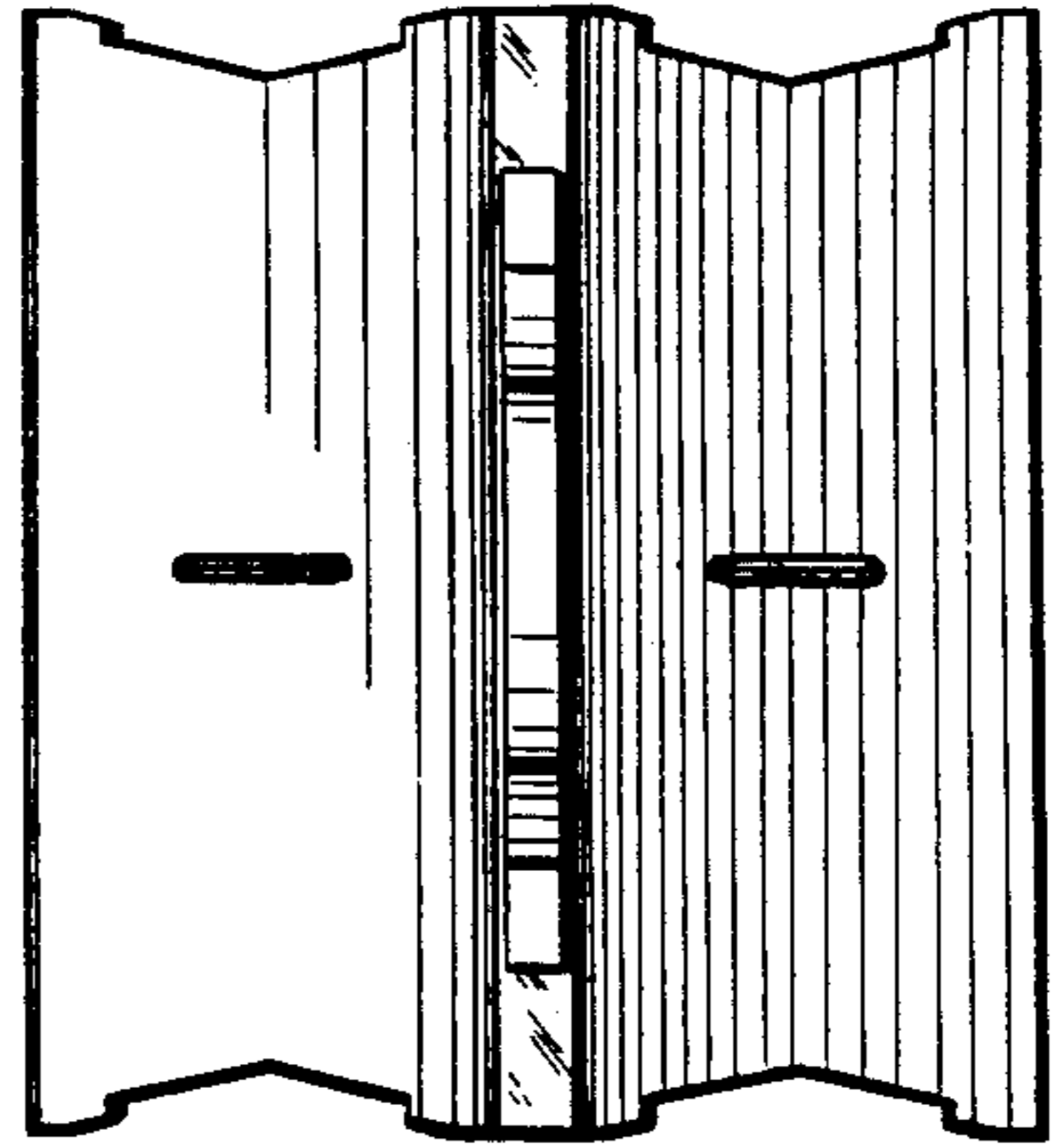


FIG. 2

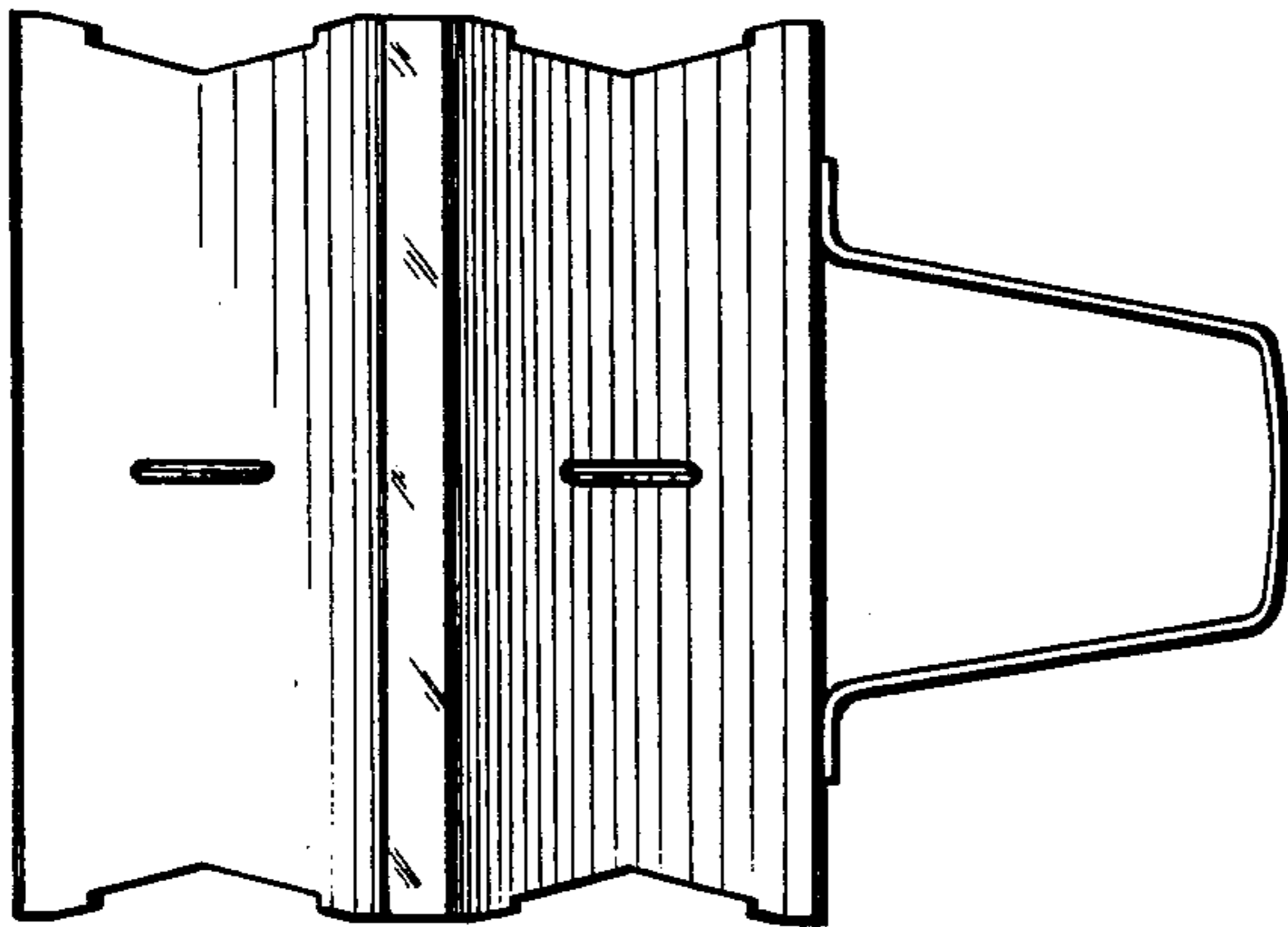


FIG. 4

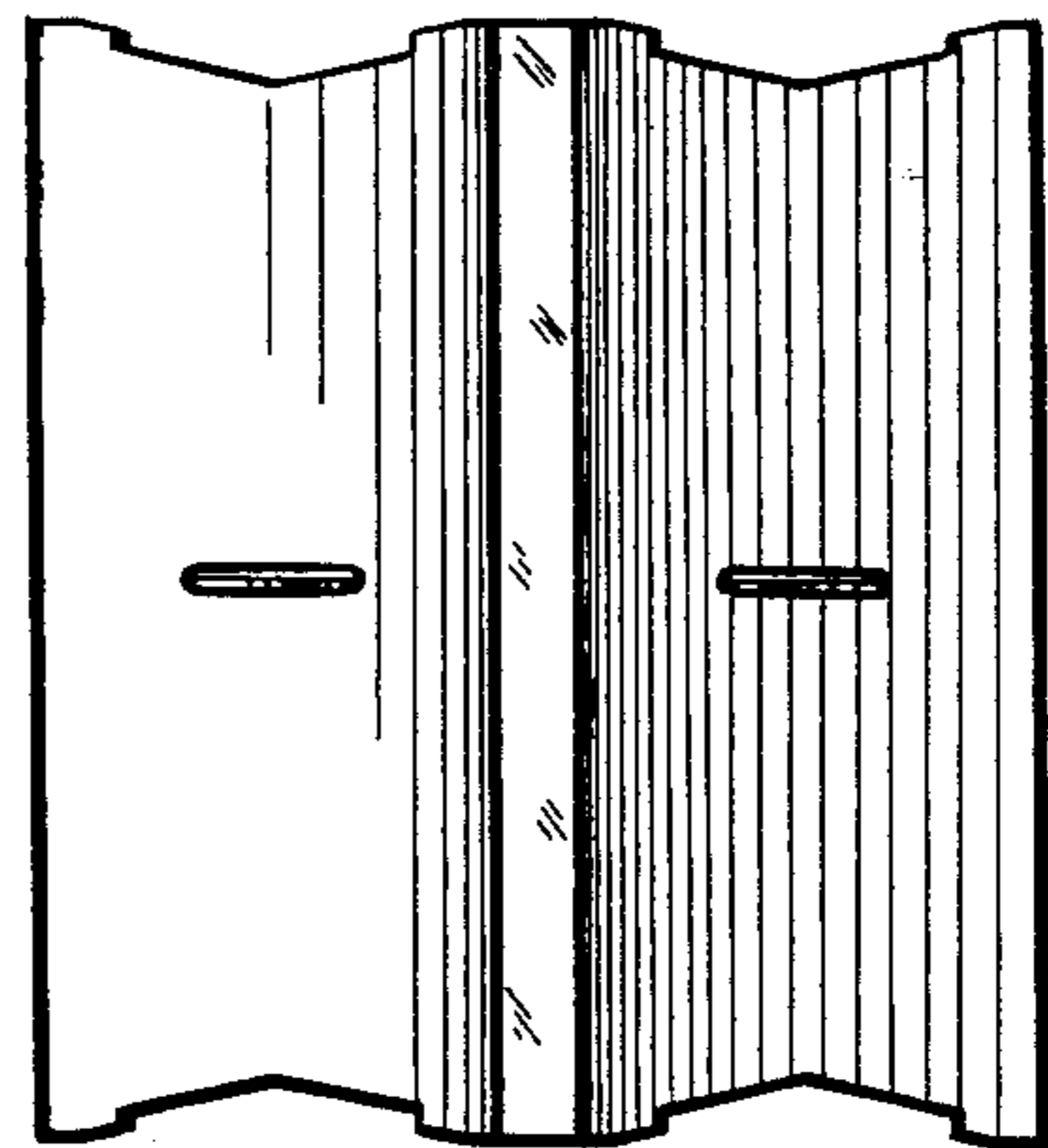


FIG. 5

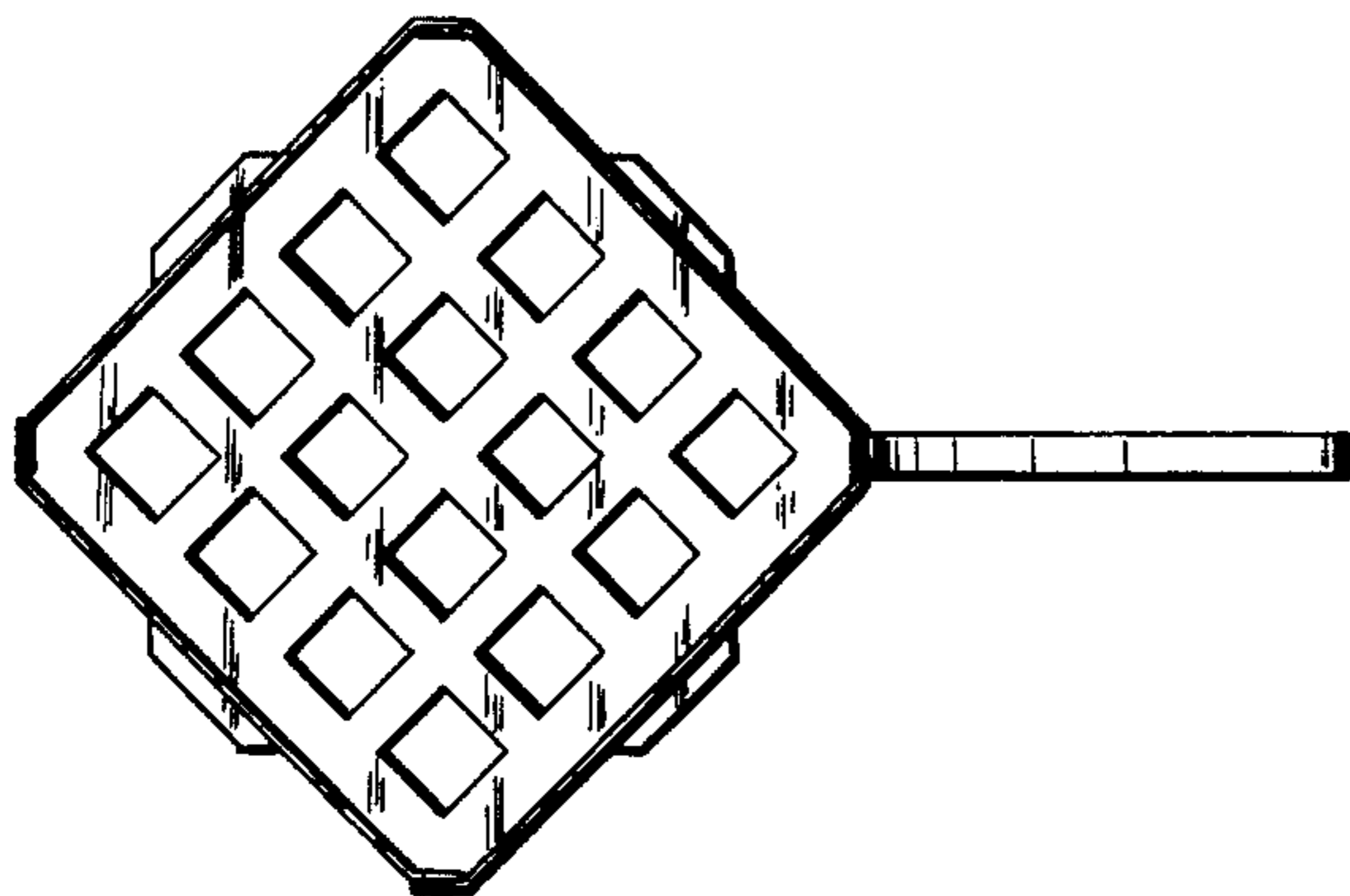


FIG. 6

