

[54] VENTILATOR FOR A WATER CLOSET

[76] Inventor: Lambert D. Berry, Rte. 1, Box 232, Silverdale, Wash. 98383

[\*\*] Term: 14 Years

[21] Appl. No.: 728,450

[22] Filed: Sept. 30, 1976

[51] Int. Cl. .... D23-02

[52] U.S. Cl. .... D23/71

[58] Field of Search ..... D23/71; 4/213, 216, 4/217

[56] References Cited

U.S. PATENT DOCUMENTS

2,129,048	9/1938	Davis .....	4/213
2,171,903	9/1939	Aubin .....	4/213
3,849,808	11/1974	Olson et al. ....	4/213

3,857,119	12/1974	Hunnicut, Jr. ....	4/213
D. 215,937	11/1969	Meyer .....	D23/71
D. 234,951	4/1975	Couton .....	D23/71
D. 235,065	5/1975	Hunnicut, Jr. ....	D23/71

Primary Examiner—James R. Largen  
Attorney, Agent, or Firm—John W. Kraft

[57] CLAIM

The ornamental design for a ventilator for a water closet, substantially as shown and described.

DESCRIPTION

FIG. 1 is a perspective view taken from the top, front and right side of a ventilator for a water closet showing my new design;

FIG. 2 is a perspective view taken from the bottom and left side thereof; and

FIG. 3 is a top plan view thereof.

The fragmentary broken line representation of a water closet in FIG. 3 is for purposes of illustration only.

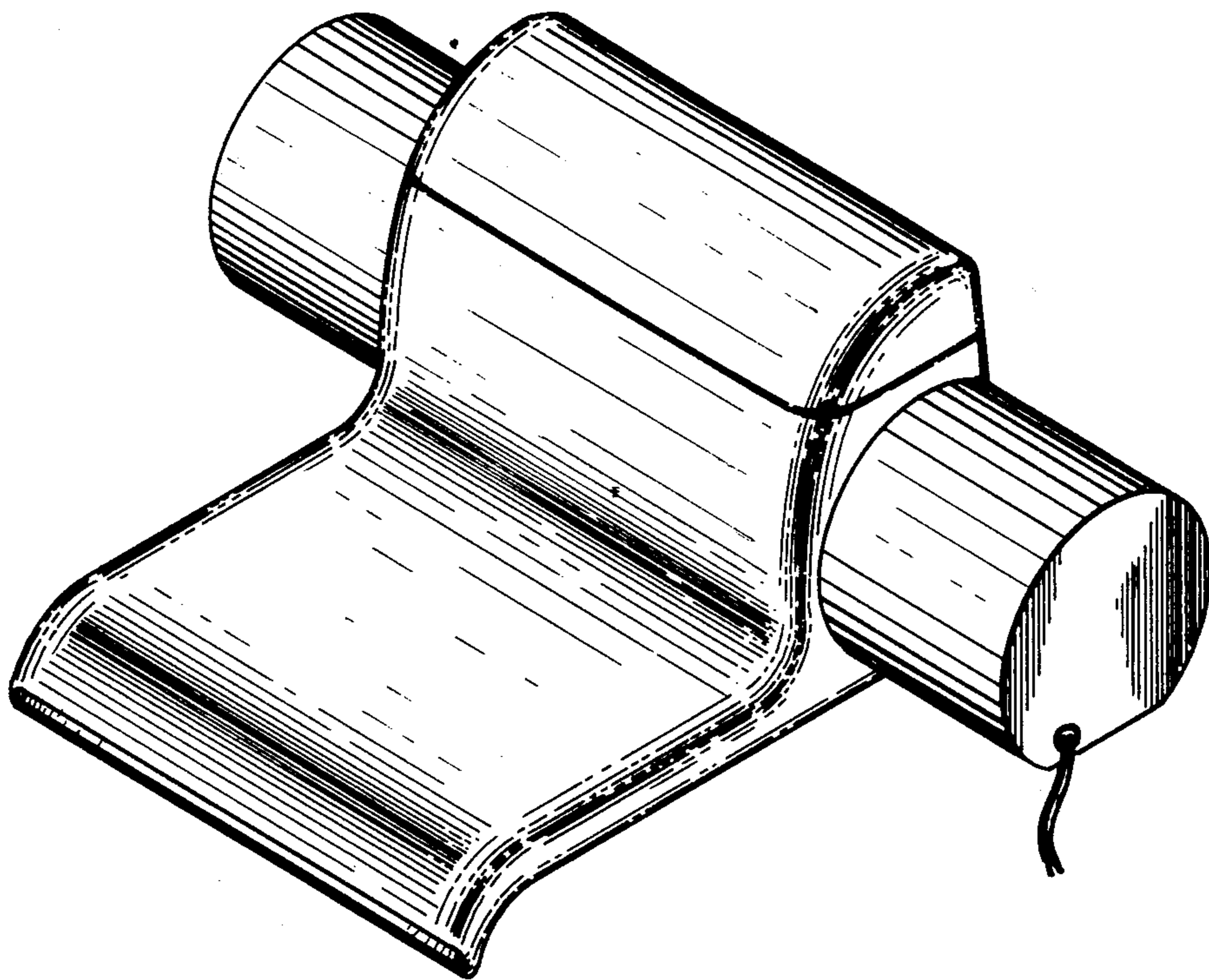


FIG 1

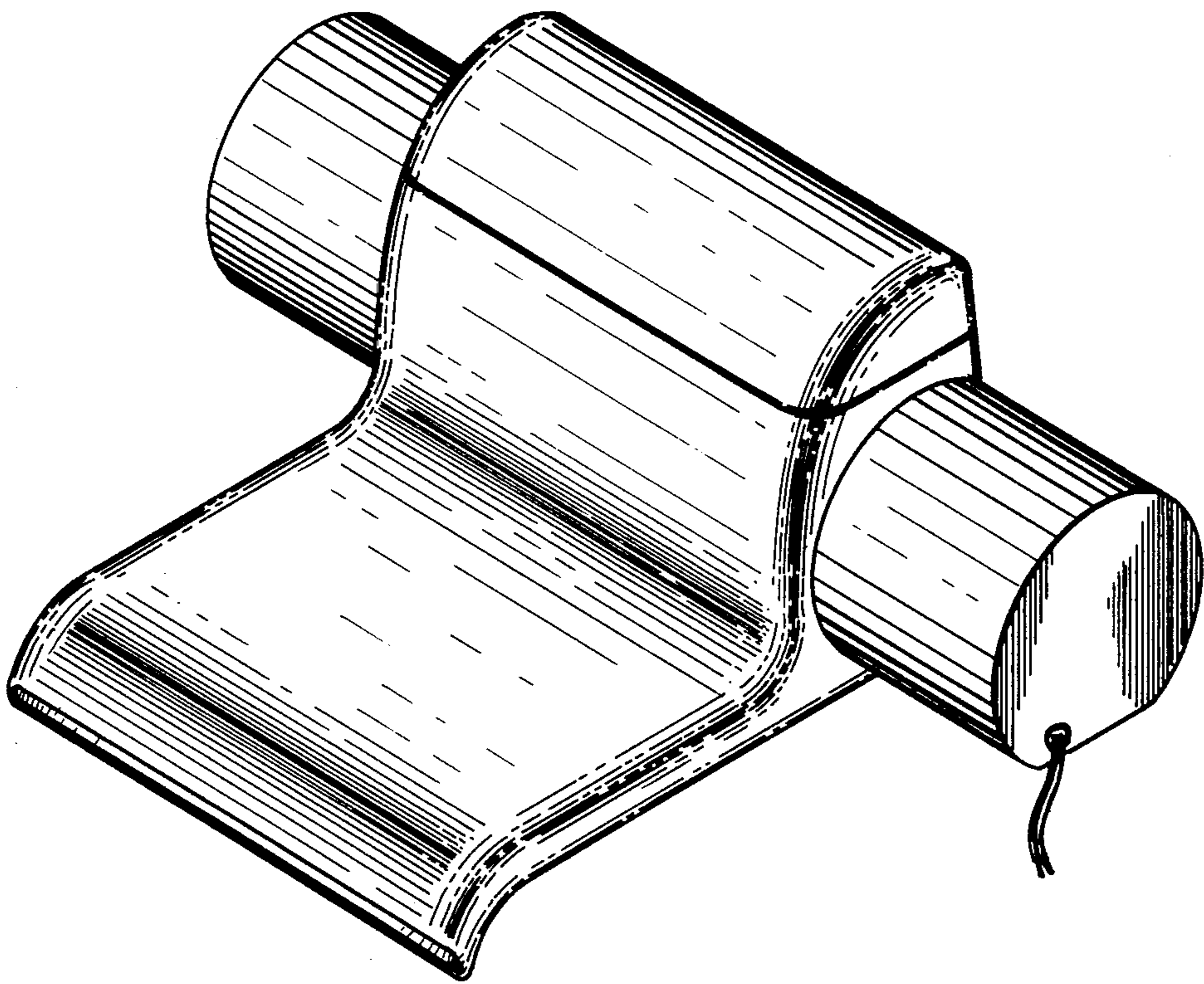


FIG 2

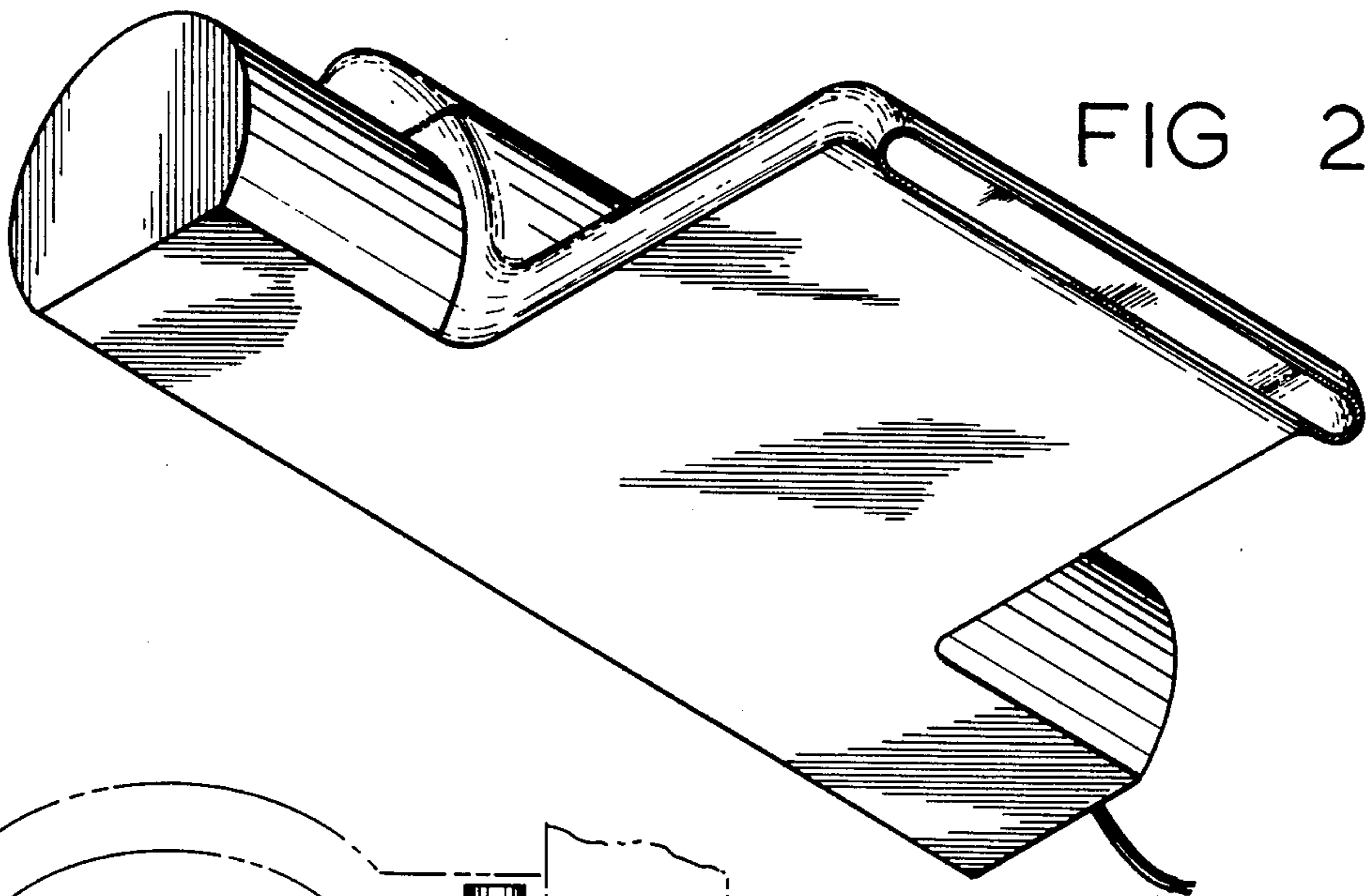


FIG 3

