

[54] **VENTILATOR FOR A WATER CLOSET**

[76] Inventor: **Lambert D. Berry, Rte. 1, Box 232, Silverdale, Wash. 98383**

[**] Term: **14 Years**

[21] Appl. No.: **689,138**

[22] Filed: **May 24, 1976**

[51] Int. Cl. **D23-02**

[52] U.S. Cl. **D23/71**

[58] Field of Search **D23/71; 4/213, 216, 4/217**

[56] **References Cited**

U.S. PATENT DOCUMENTS

2,129,048	9/1938	Davis	4/213
2,171,903	9/1939	Aubin	4/213
3,849,808	11/1974	Olson et al.	4/213

3,857,119	12/1974	Hunnicut, Jr.	4/21
D. 215,937	11/1969	Meyer	D23/7
D. 234,951	4/1975	Couton	D23/7
D. 235,065	5/1975	Hunnicut, Jr.	D23/7

Primary Examiner—James R. Largen
Attorney, Agent, or Firm—John W. Kraft

[57] **CLAIM**

The ornamental design for a ventilator for a water closet, substantially as shown and described.

DESCRIPTION

FIG. 1 is a perspective view taken from the top, front and right side of a ventilator for a water closet showing my new design;

FIG. 2 is a perspective view taken from the bottom and left side thereof; and

FIG. 3 is a top plan view thereof.

The fragmentary broken line representation of a water closet in FIG. 3 is for purposes of illustration only.

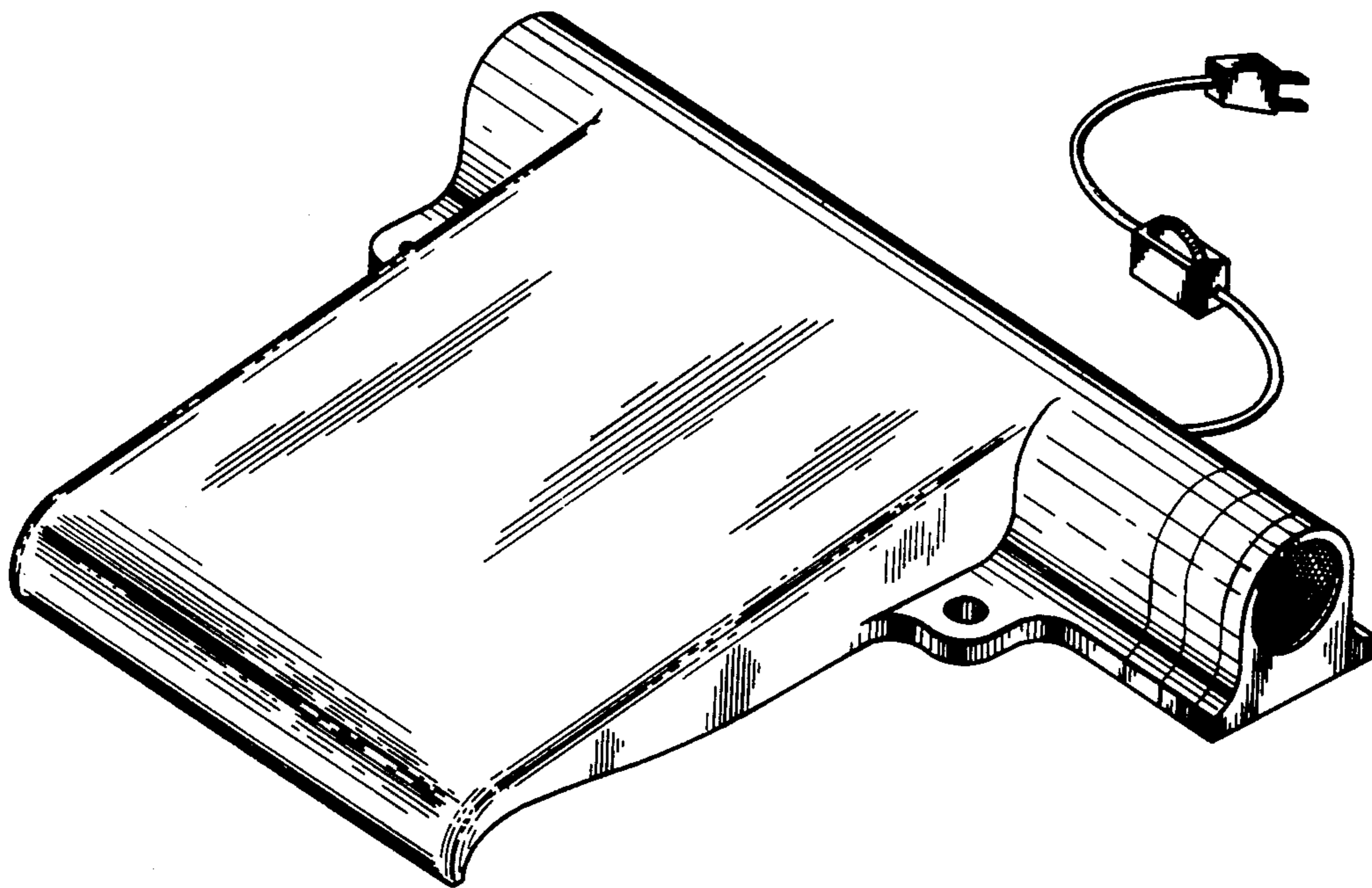


FIG 1

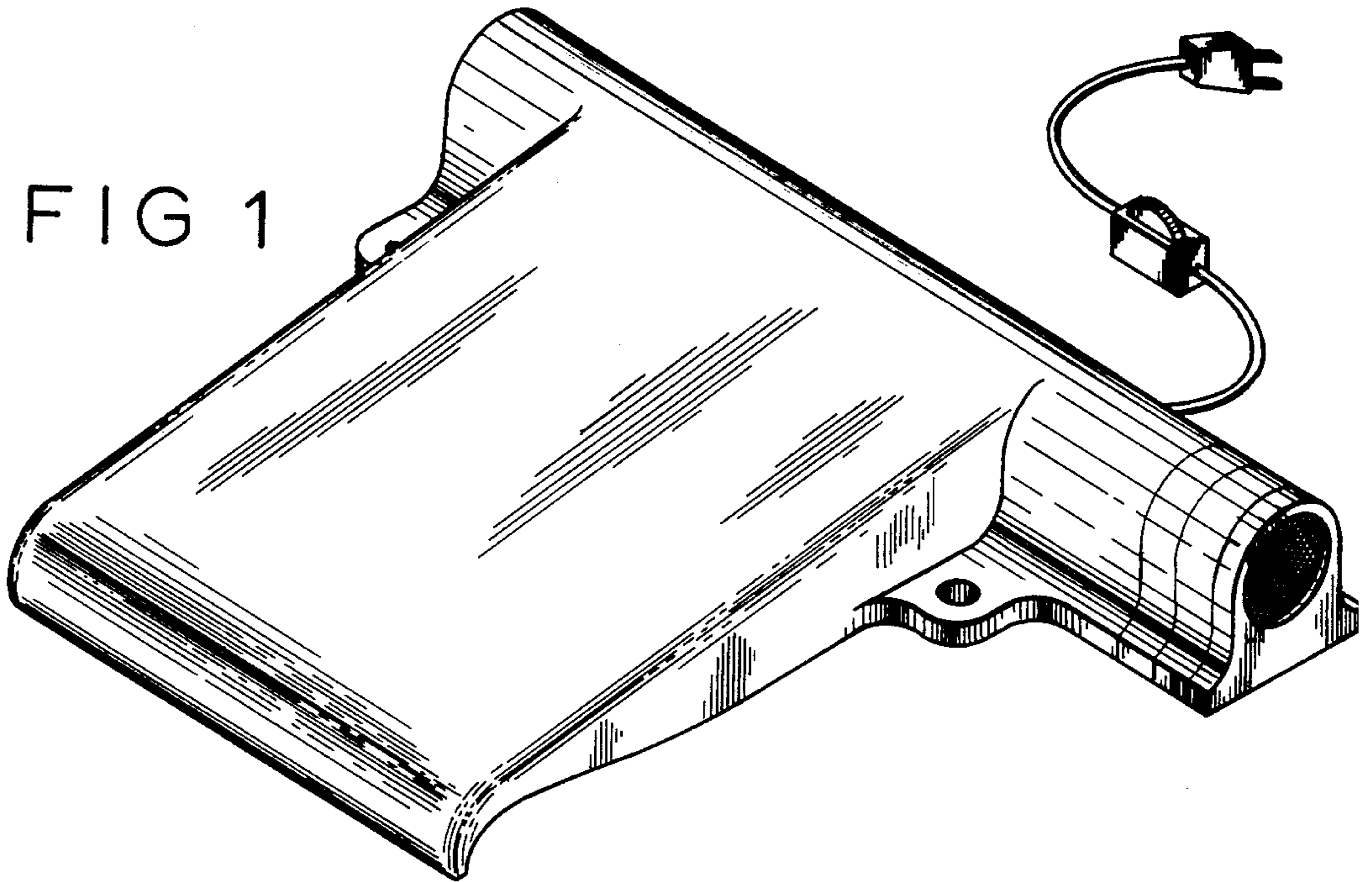


FIG 2

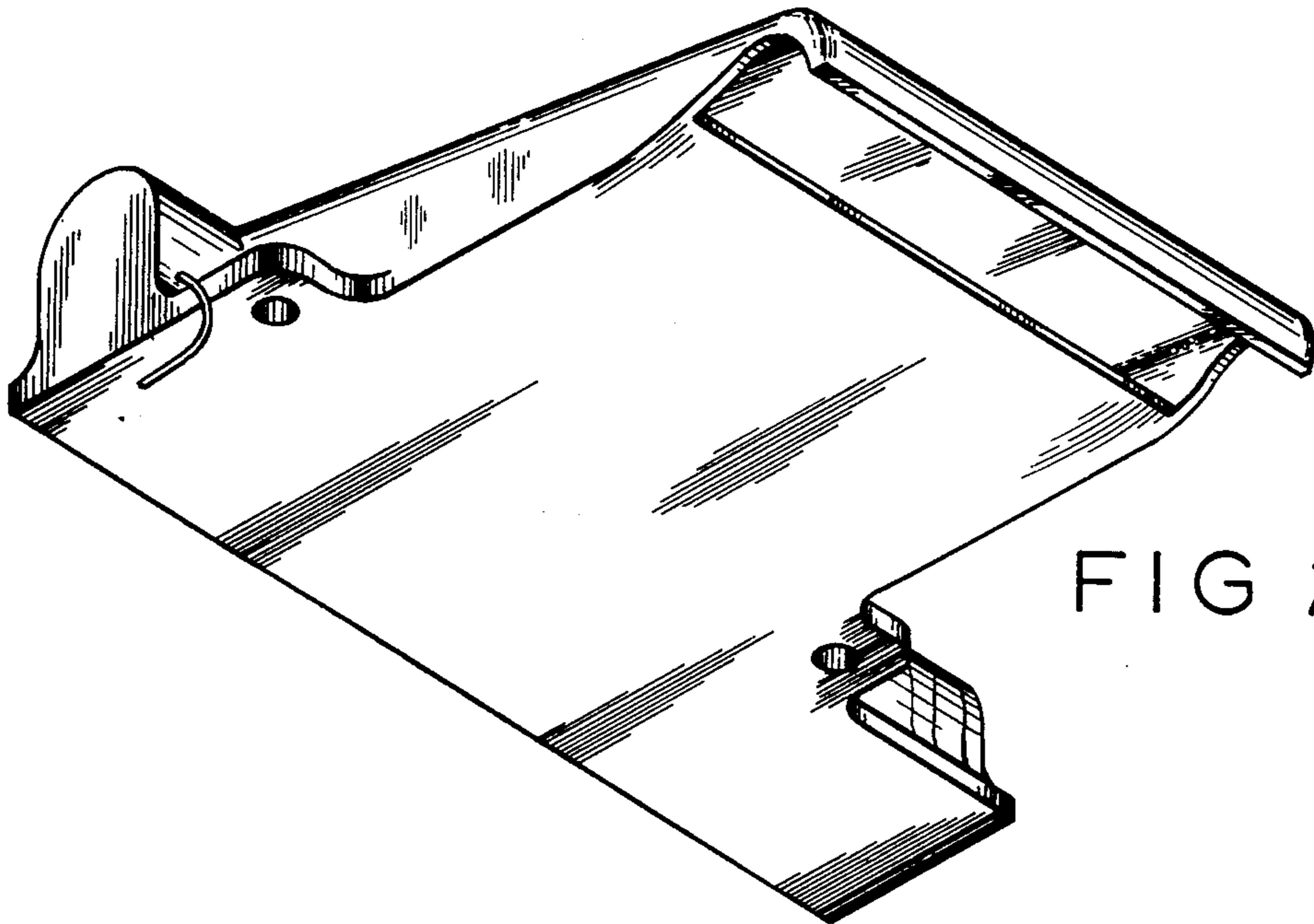


FIG 3

