

[54] SHOWERHEAD

[76] Inventor: **Emilie H. Pitman**, 16015-35th
Northeast, Seattle, Wash. 98155

[**] Term: **14 Years**

[21] Appl. No.: **716,076**

[22] Filed: **Aug. 20, 1976**

[51] Int. Cl. **D23-01**
[52] U.S. Cl. **D23/35**
[58] Field of Search **D23/34-39;**
239/102, 315, 316, 383, 394, 446, 447, 568

[56] **References Cited**

U.S. PATENT DOCUMENTS

2,343,804	3/1944	Salemme	D23/35 X
2,608,443	8/1952	Hinderer	D23/35 X
3,801,019	4/1974	Trenary et al.	239/383
3,920,185	11/1975	Kwok	239/102
D. 186,757	11/1959	Hruby, Jr.	D23/35
D. 215,936	11/1969	Contreras	D23/35
D. 235,445	6/1975	Mackay et al.	D23/35

Primary Examiner—James R. Largen
Attorney, Agent, or Firm—George M. Cole

[57] **CLAIM**
The ornamental design for a showerhead, substantially as shown.

DESCRIPTION
FIG. 1 is a perspective view of a showerhead embodying my new design; and
FIG. 2 is a bottom view thereof.

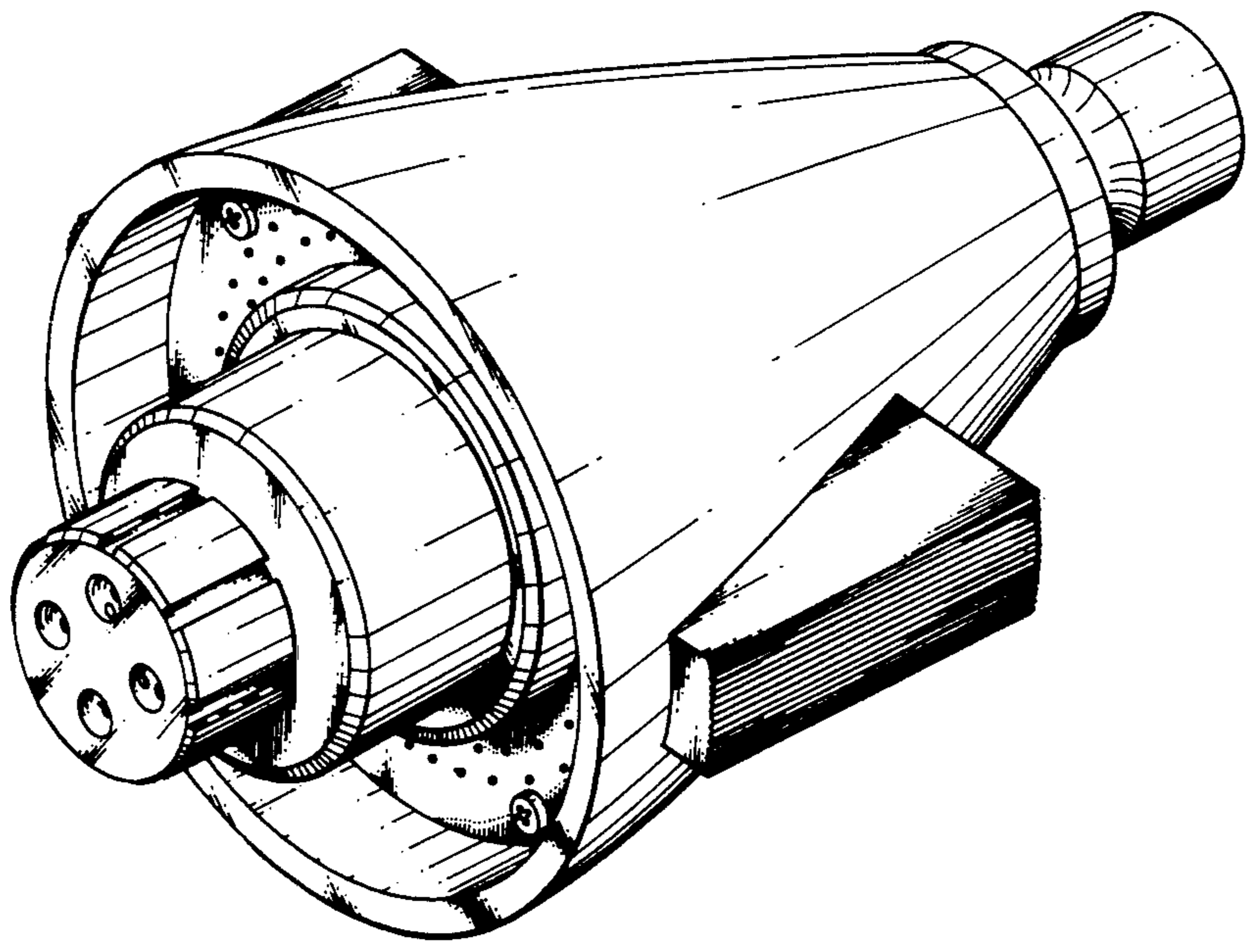


Fig. 1

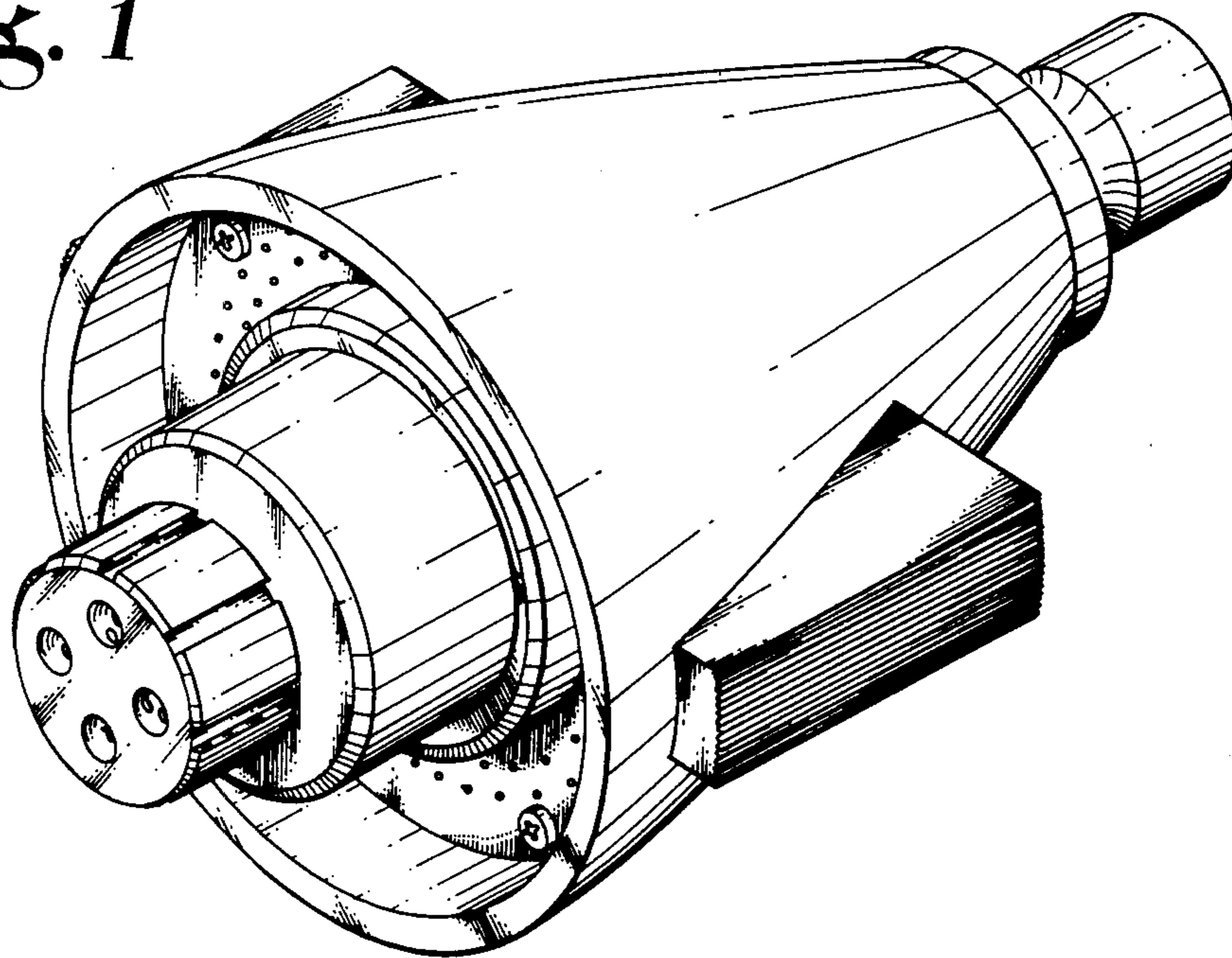


Fig. 2

