

[54] **LOAD TRANSFER APPARATUS FOR CONNECTING A TRACTOR AND A TRAILER**

[75] Inventor: **Willard R. Williams**, Naturita, Colo.

[73] Assignee: **Williams, Inc.**, Naturita, Colo.

[\*\*] Term: **14 Years**

[21] Appl. No.: **641,889**

[22] Filed: **Dec. 18, 1975**

[51] Int. Cl. .... **D15-03**

[52] U.S. Cl. .... **D15/28**

[58] Field of Search ..... **D12/162; D15/28; 280/405 A, 405 B, 411 B, 415 B, 423 R, 423 B, 425 A, 446 A, 456 A, 460 A, 461 A, 490 A, 491 B, 501**

[56] **References Cited**

**U.S. PATENT DOCUMENTS**

3,288,315	11/1966	Bigden .....	280/423 R
3,552,772	1/1971	Scott .....	280/405 B
3,717,364	2/1973	McClive .....	D12/162
D. 214,787	7/1969	Whisnand et al. ....	D12/162

*Primary Examiner*—Wallace R. Burke  
*Assistant Examiner*—James M. Gandy  
*Attorney, Agent, or Firm*—Max L. Wymore

[57] **CLAIM**

The ornamental design for a load transfer apparatus for connecting a tractor and a trailer, as shown.

**DESCRIPTION**

FIG. 1 is a perspective view of a load transfer apparatus for connecting a tractor and a trailer showing my new design;

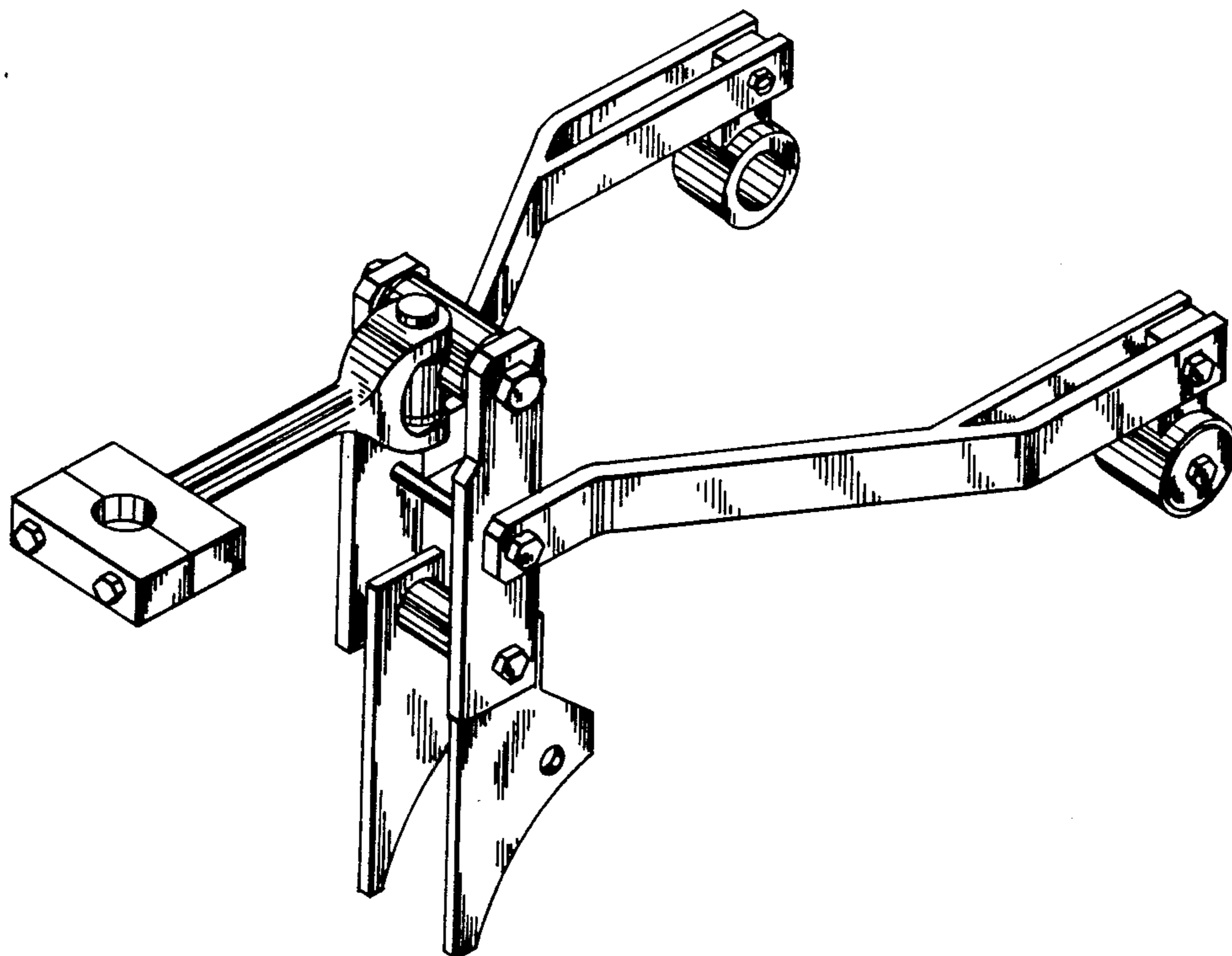
FIG. 2 is a side elevation view thereof;

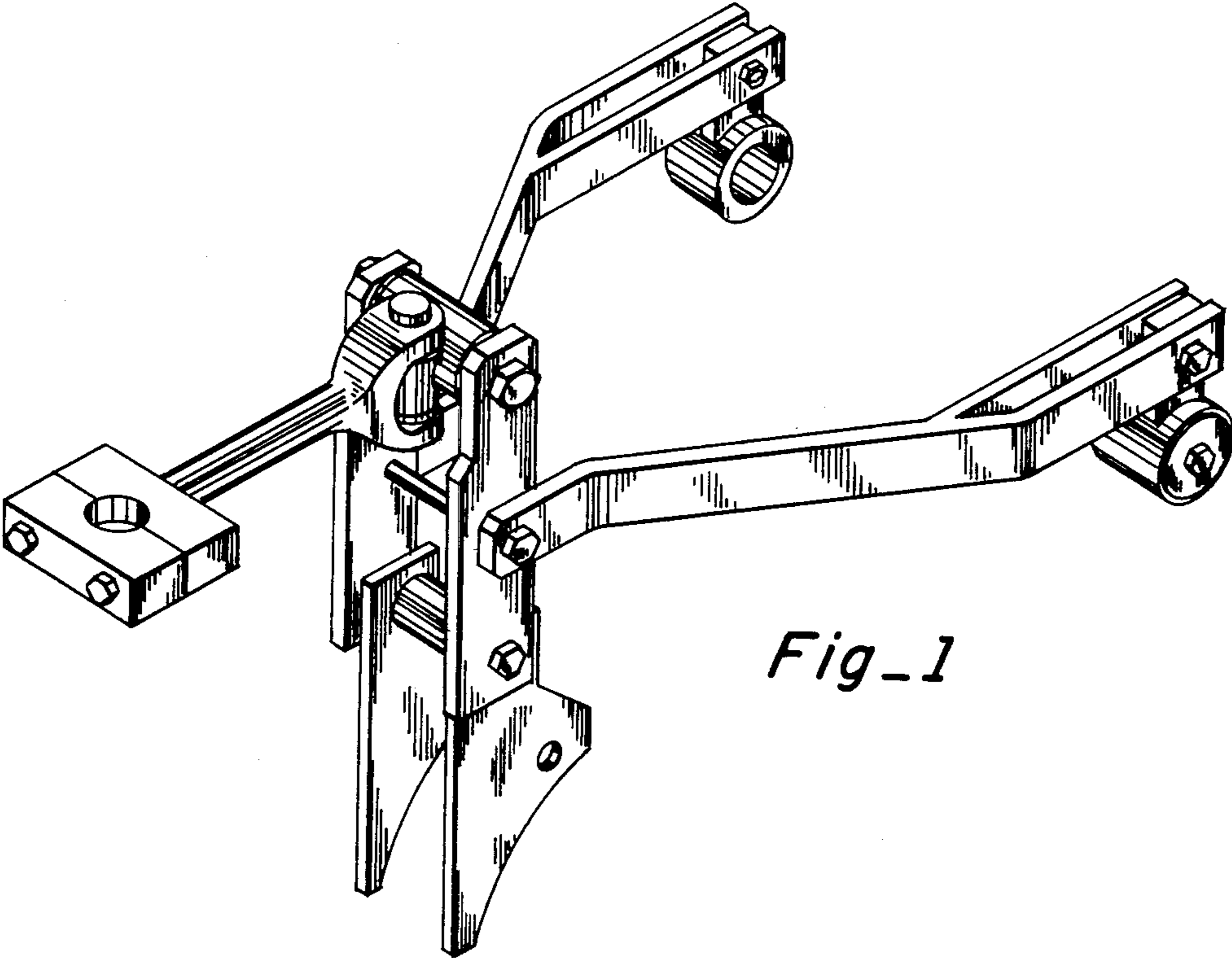
FIG. 3 is a top plan view thereof;

FIG. 4 is a front end elevation view thereof;

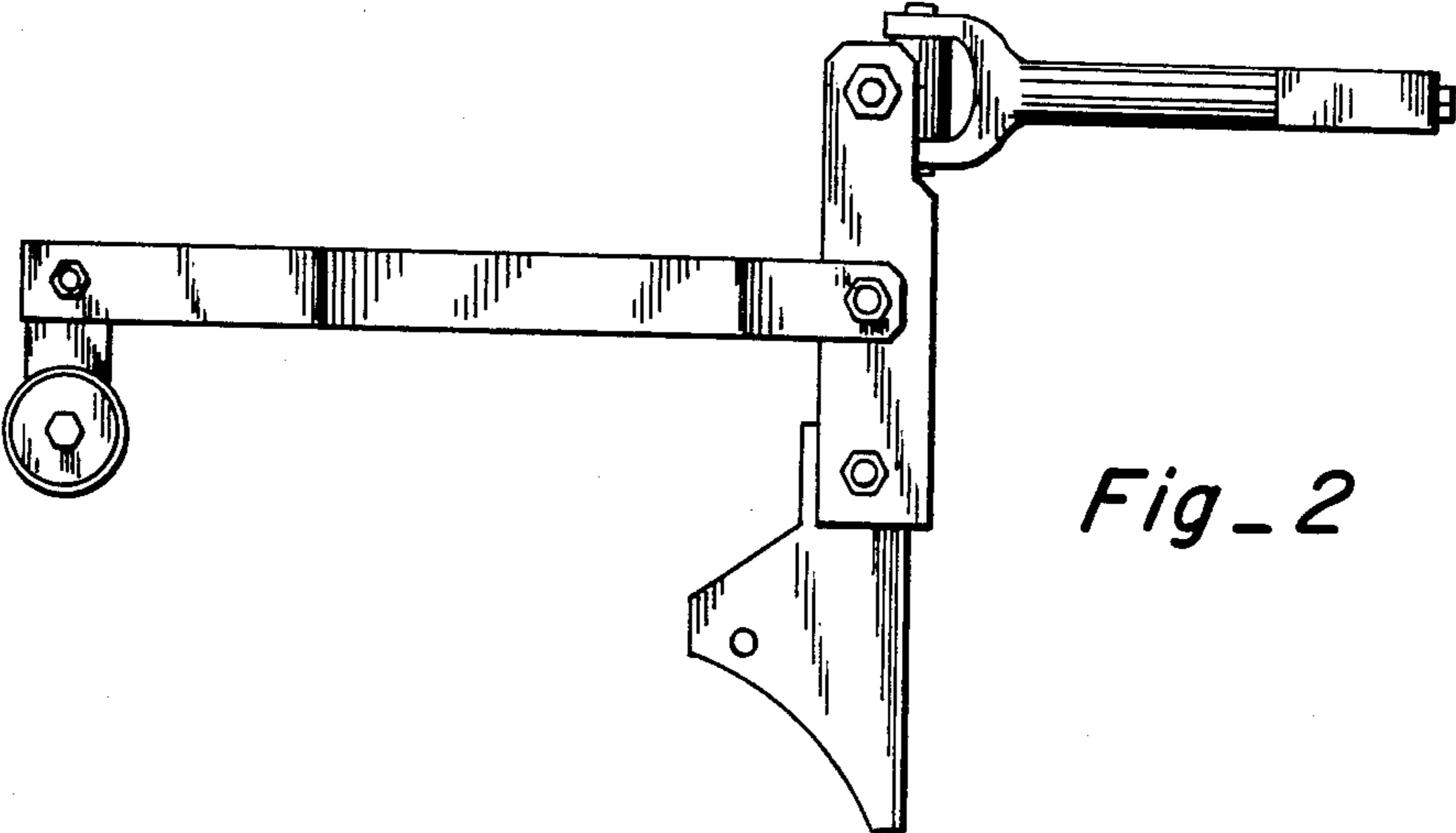
FIG. 5 is a rear end elevation view thereof; and,

FIG. 6 is a bottom plan view thereof.





*Fig\_1*



*Fig\_2*

