

[54] GARDEN TRACTOR

[75] Inventors: Larry Monroe Cognata, Nashville; Richard D. Williams, Brentwood, both of Tenn.

[73] Assignee: The Murray Ohio Manufacturing Company, Brentwood, Tenn.

[**] Term: 14 Years

[21] Appl. No.: 668,810

[22] Filed: Mar. 19, 1976

[51] Int. Cl. D15-03

[52] U.S. Cl. D15/23

[58] Field of Search D15/15, 26, 23; 296/28 R; 180/1 F, 54 D, 89 R, 89 A

[56] References Cited

U.S. PATENT DOCUMENTS

D. 230,046 1/1974 Manofsky D15/15

OTHER PUBLICATIONS

Hardware Age, 8/74, p. 32, Murray 36, Lawn Mower, top right side of page.

Hardware Age, 8/74, p. 33, Murray Lawn Mower, bottom right side of page.

Primary Examiner—Wallace R. Burke

Assistant Examiner—James M. Gandy

Attorney, Agent, or Firm—John W. Malley

[57] CLAIM

The ornamental design for a garden tractor, substantially as shown and described.

DESCRIPTION

FIG. 1 is a front and left side perspective view of a garden tractor showing our new design;

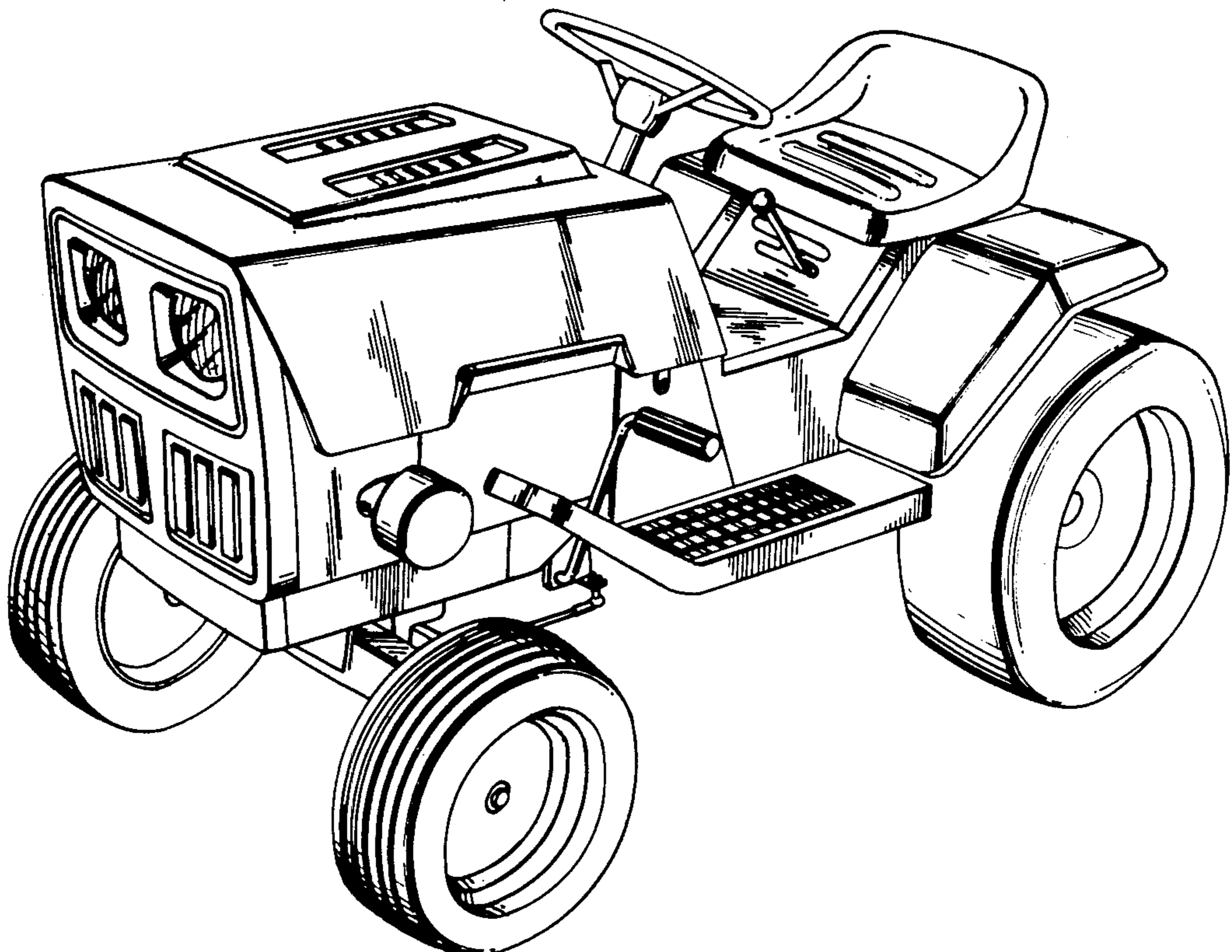
FIG. 2 is a side elevational view thereof taken from the side opposite that shown in FIG. 1;

FIG. 3 is a top plan view thereof;

FIG. 4 is a front elevational view thereof;

FIG. 5 is a rear elevational view thereof;

FIG. 6 is a front and left side perspective view of a second embodiment of a riding mower showing our new design, the sole difference being in the omission of the dual headlights.



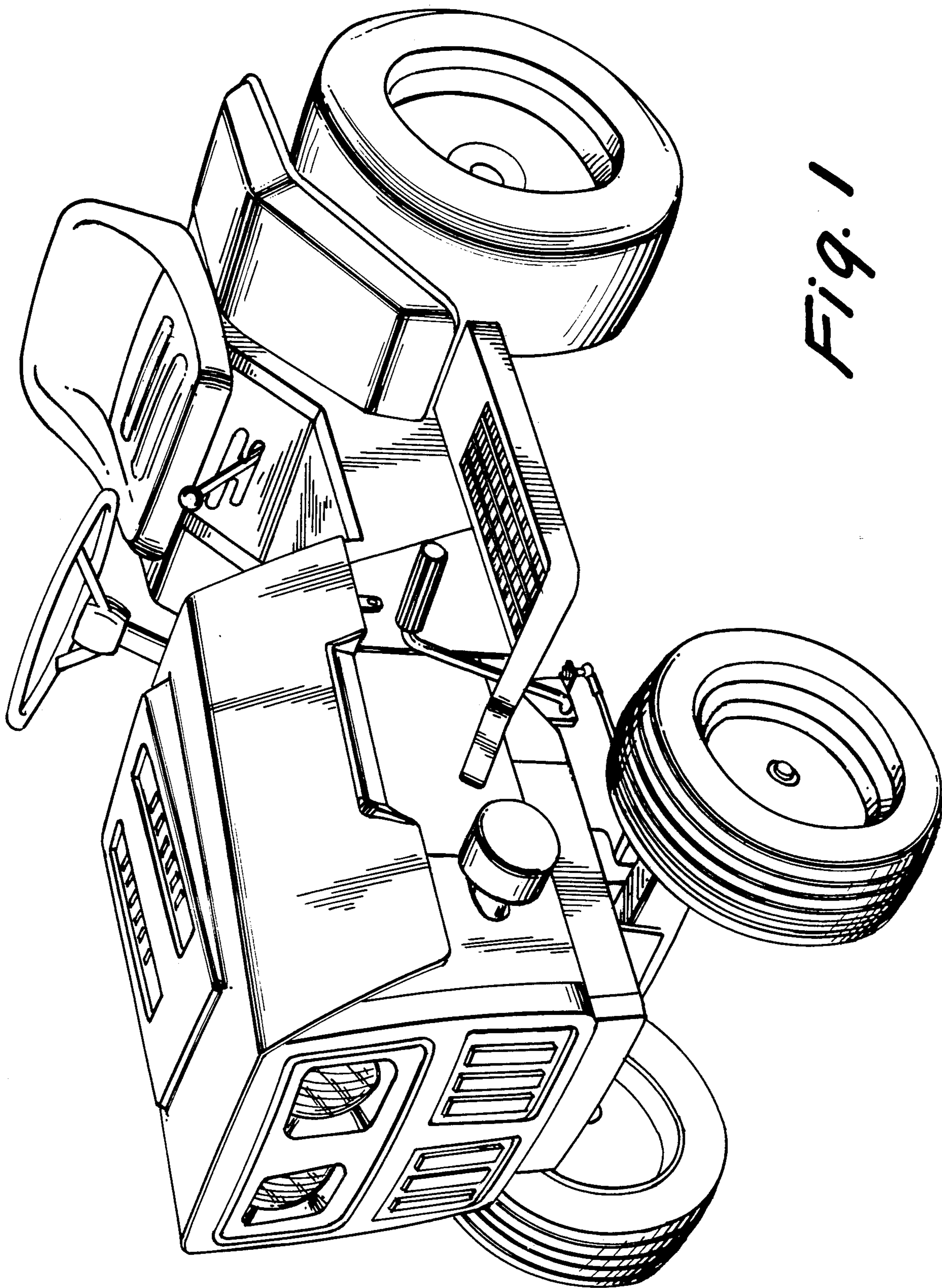


Fig. 1

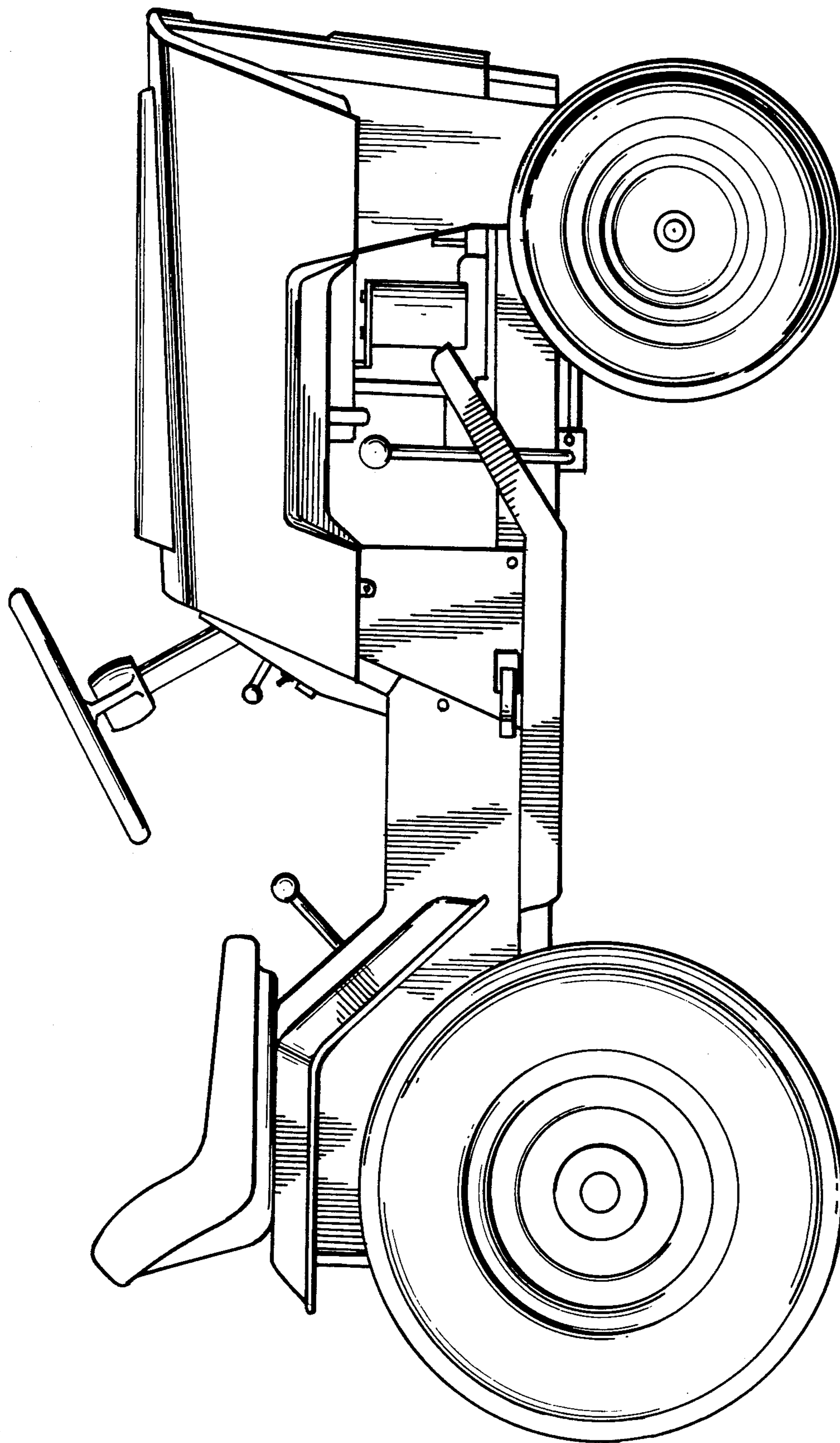


Fig. 2

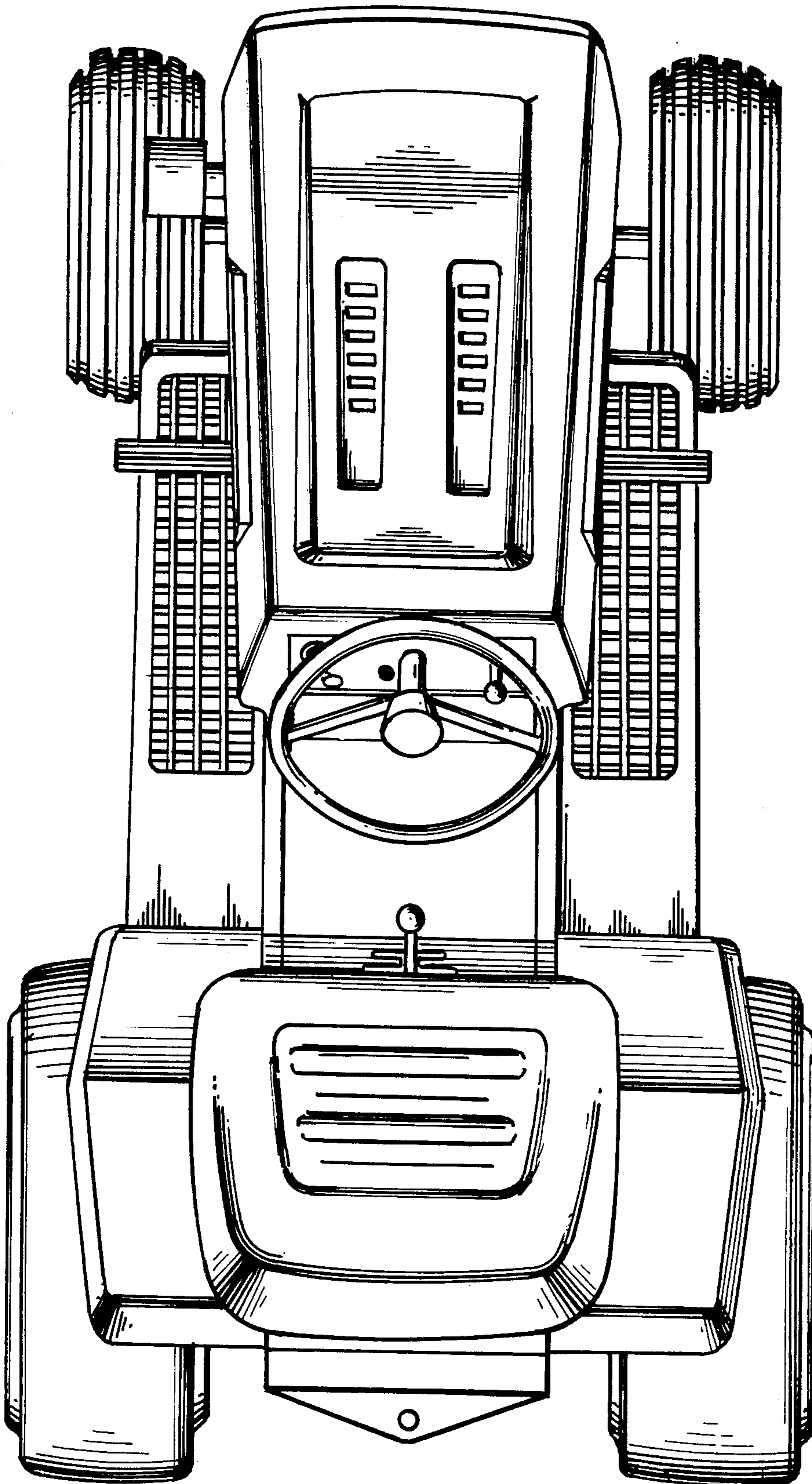


Fig. 3

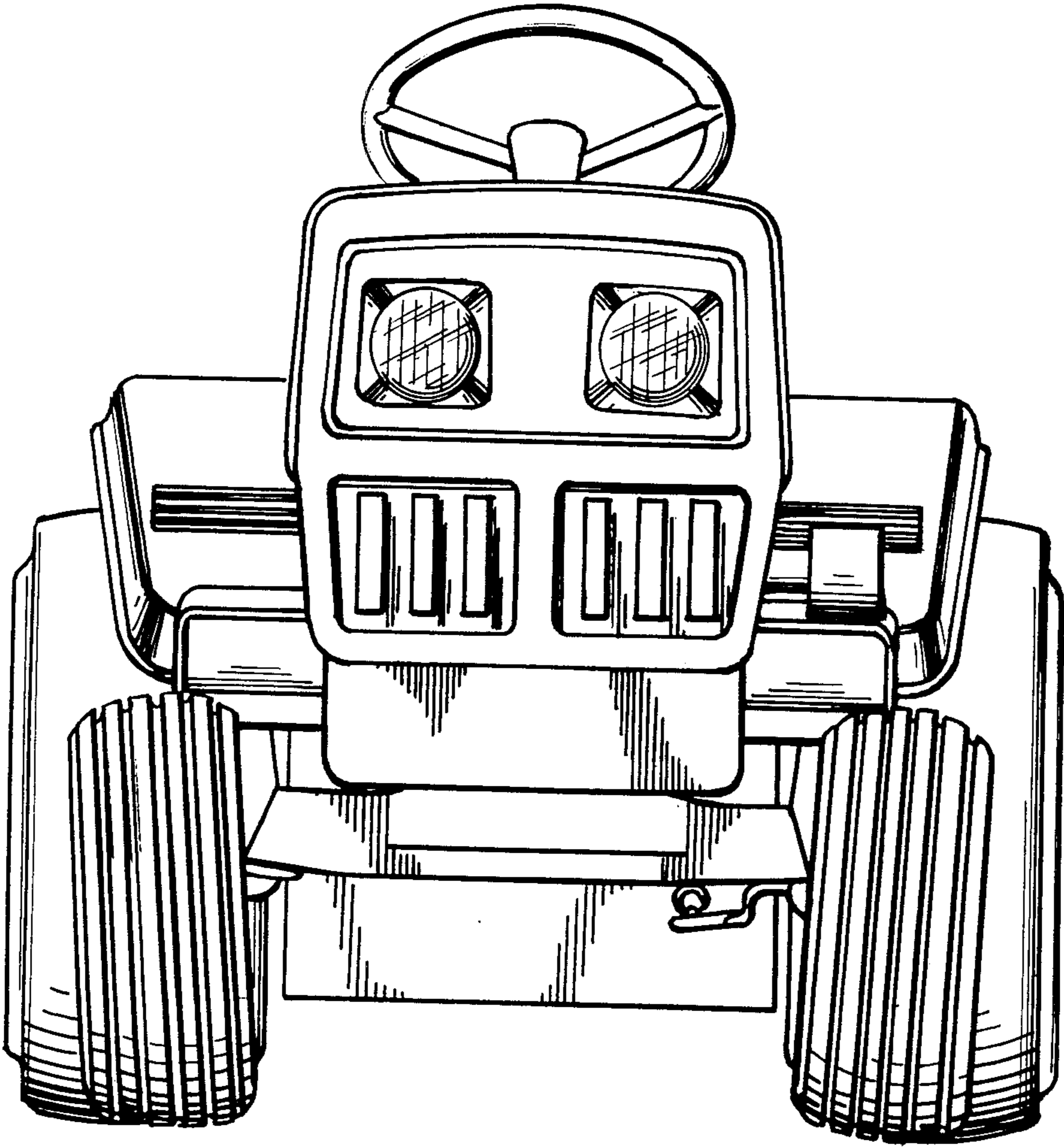


Fig. 4

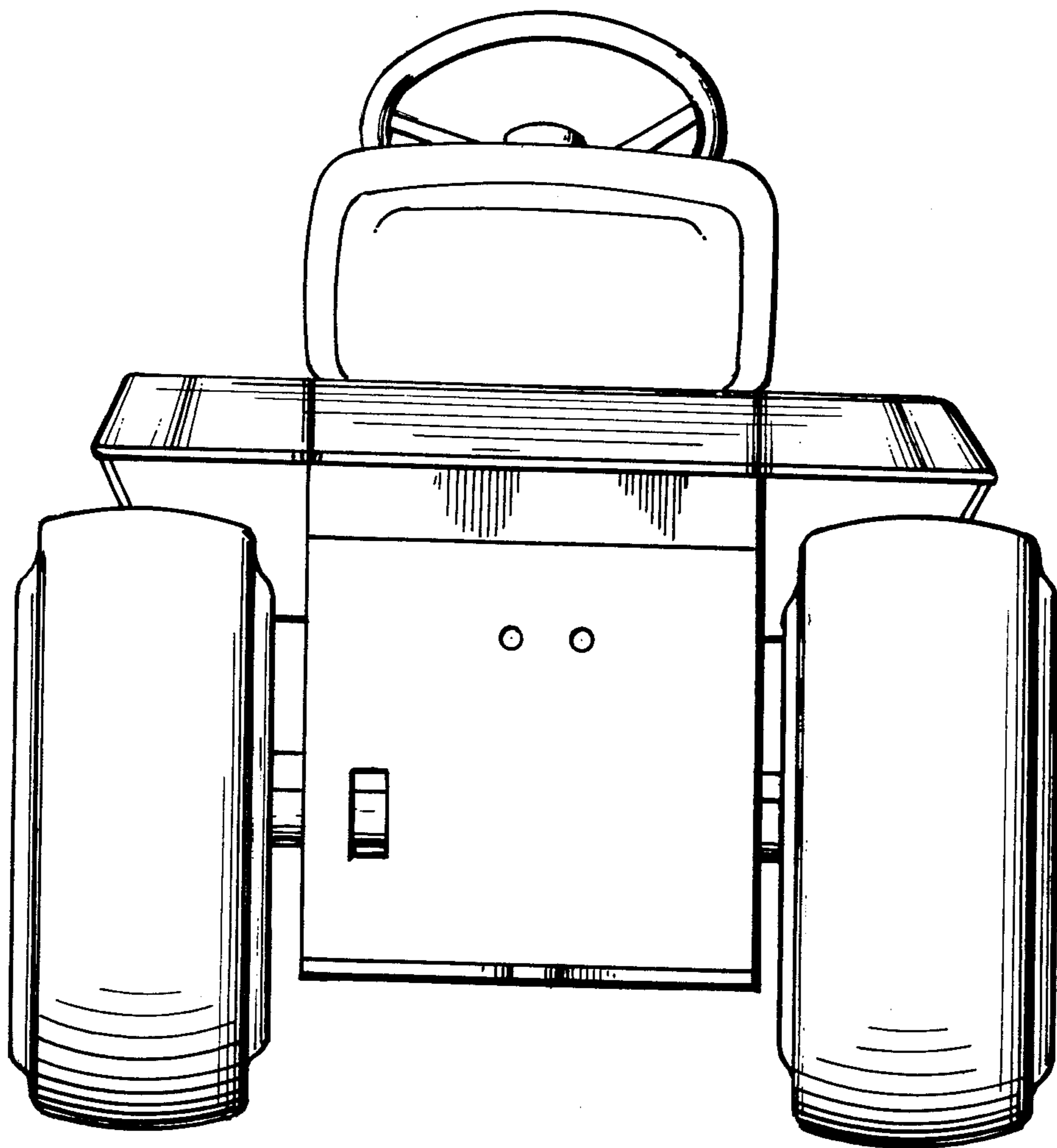


Fig. 5

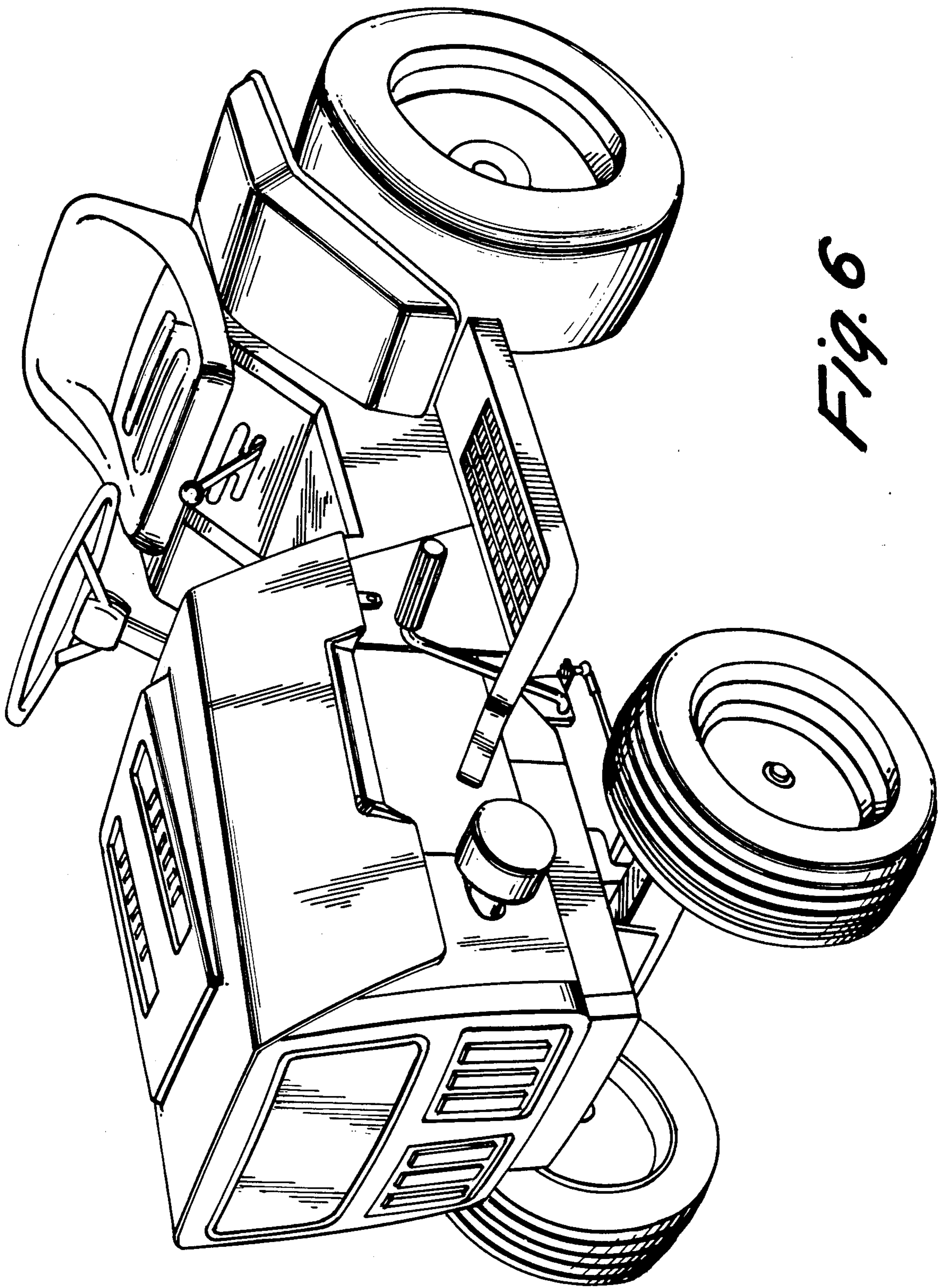


Fig. 6