

[54] **WHEEL**

[75] **Inventor:** John Robert de Vries, Geldrop,  
Netherlands

[73] **Assignee:** AB Volvo, Gothenburg, Sweden

[\*\*] **Term:** 14 Years

[21] **Appl. No.:** 717,867

[22] **Filed:** Aug. 26, 1976

[51] **Int. Cl.** ..... D12-16

[52] **U.S. Cl.** ..... D12/211

[58] **Field of Search** ..... D12/209-211;  
301/63 R, 63 PW, 64 R, 64 SH, 64 SD, 65, 66,  
67, 73, 79

[56] **References Cited**

**U.S. PATENT DOCUMENTS**

667,291 2/1901 Brion ..... D12/211  
D. 235,988 7/1975 Sandberg ..... D12/211

**OTHER PUBLICATIONS**

Cycle World, 5/71 p. 88, wheel, bottom of page.

*Primary Examiner*—Wallace R. Burke

*Assistant Examiner*—James M. Gandy

*Attorney, Agent, or Firm*—Irvin S. Thompson

[57] **CLAIM**

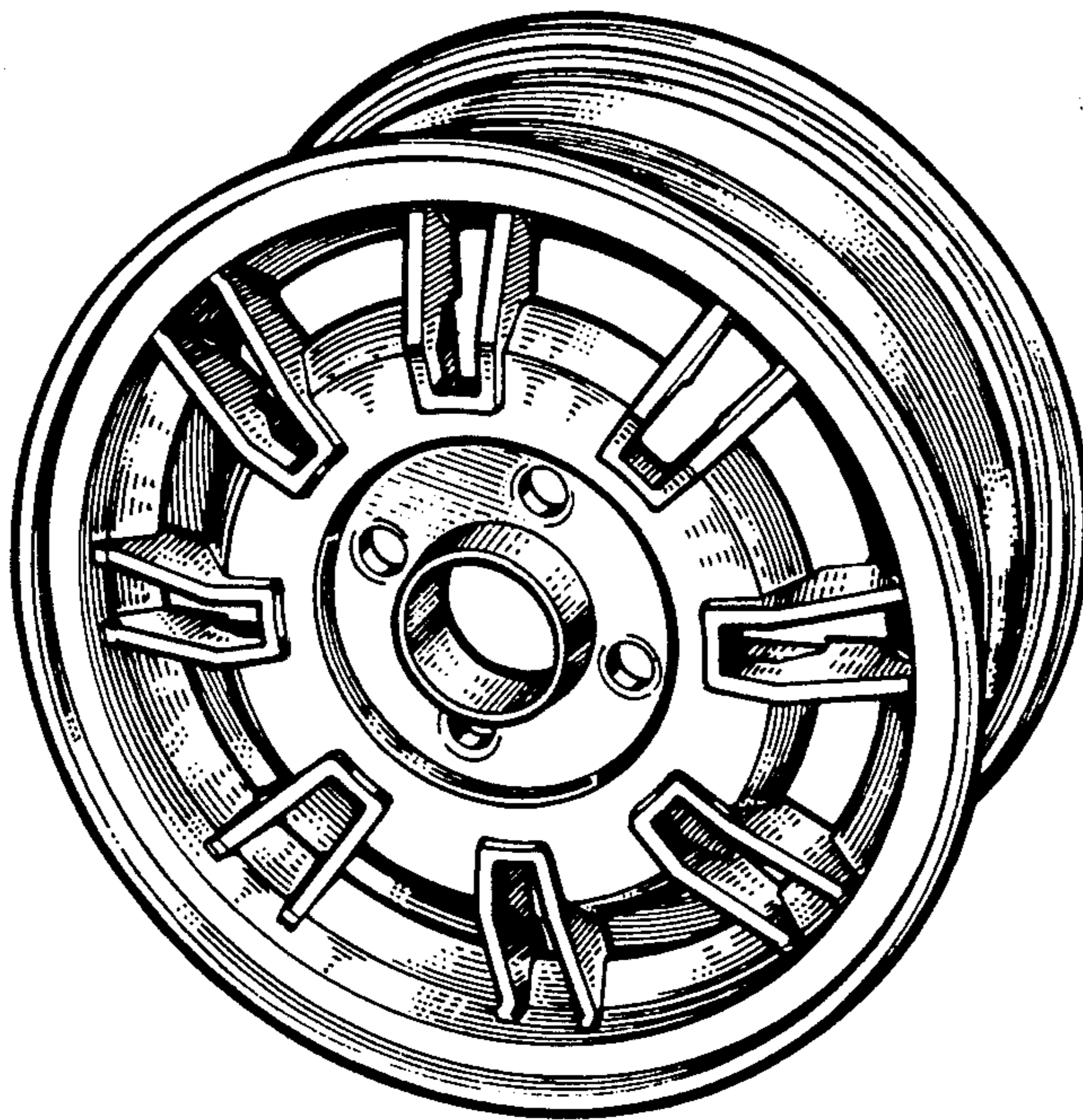
The ornamental design for a wheel, as shown.

**DESCRIPTION**

FIG. 1 is a front perspective view of a wheel showing my new design;

FIG. 2 is a side elevational view thereof; and

FIG. 3 is a rear elevational view thereof.



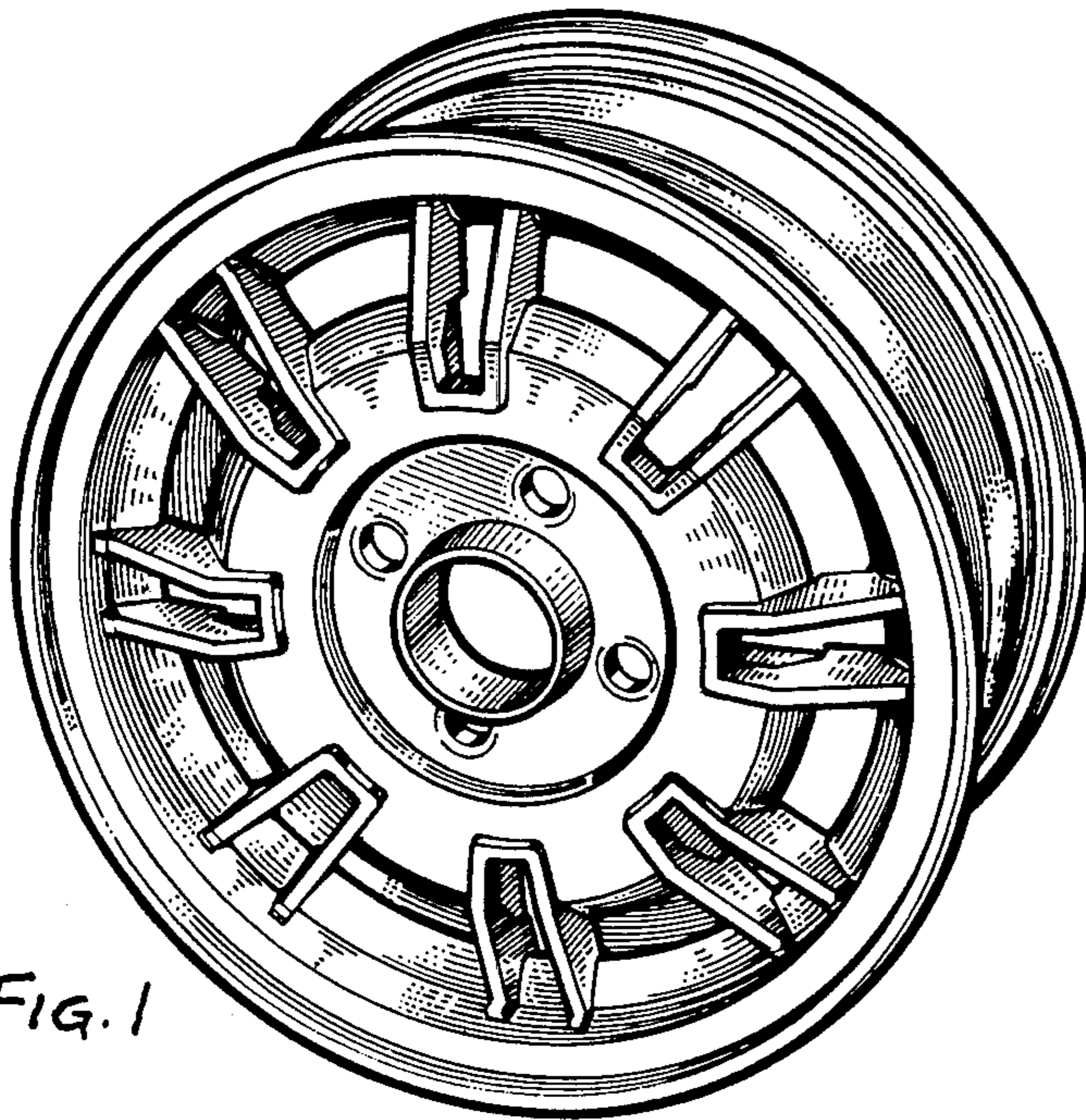


FIG. 1

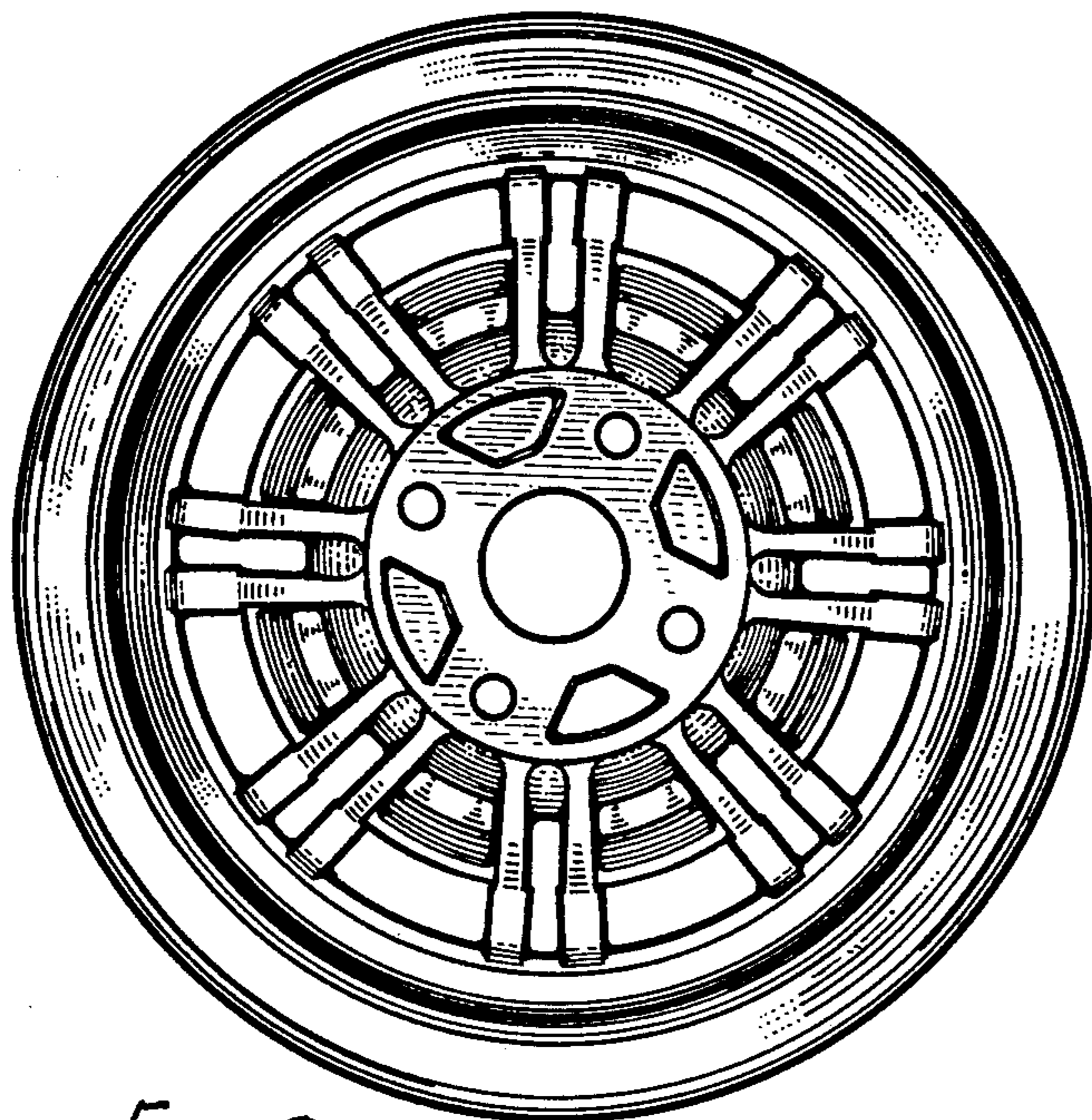


FIG. 2

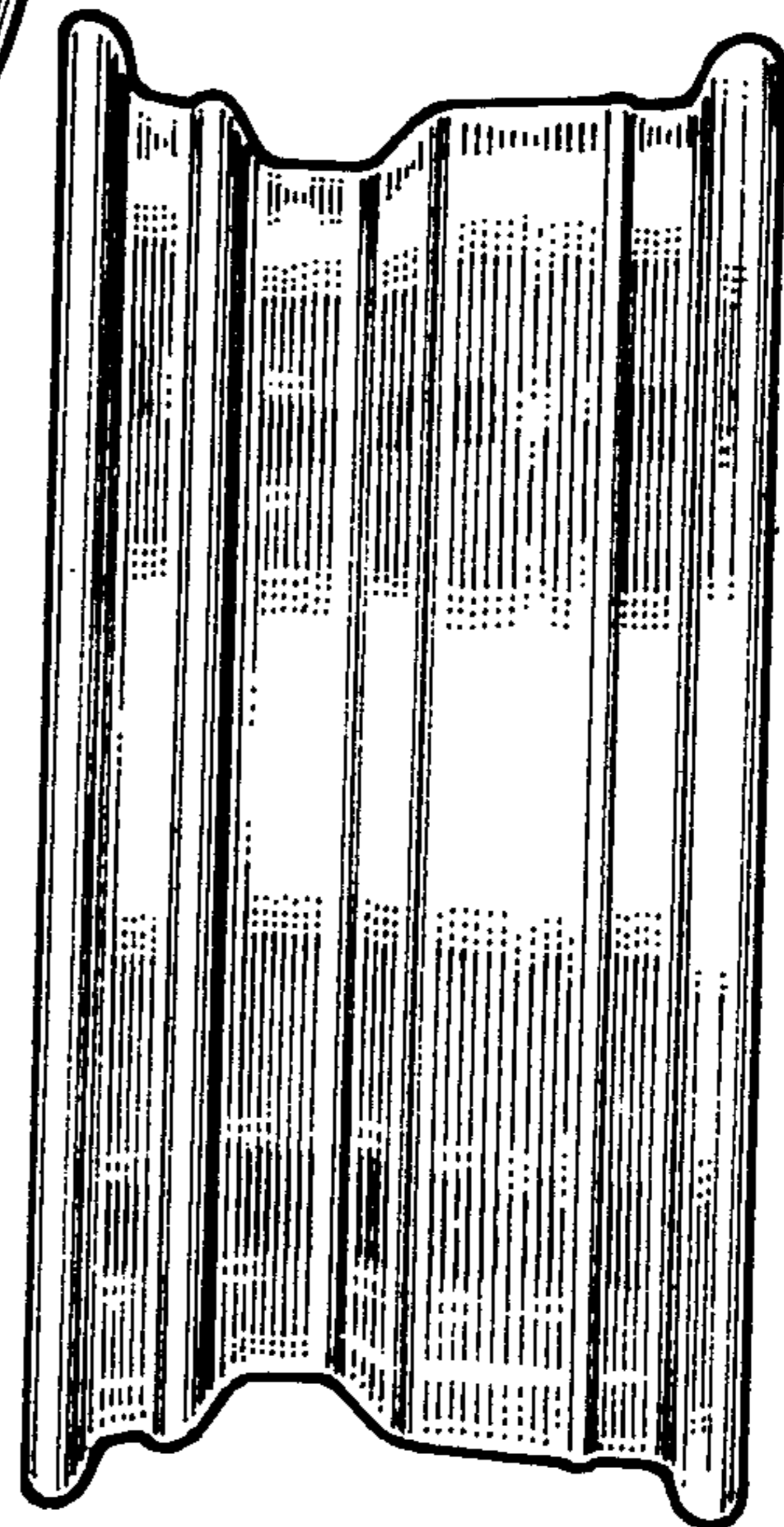


FIG. 3