

# United States Patent [19]

Gee et al.

[11] **Des. 245,597**

[45] **\*\* Aug. 30, 1977**

[54] **BUMPER**

[76] Inventors: **Lawrence A. Gee; Delbert L. Draisey,**  
both of 6627 196th, Lynnwood,  
Wash. 98036

[\*\*] Term: **14 Years**

[21] Appl. No.: **708,413**

[22] Filed: **July 26, 1976**

[51] Int. Cl. .... **D12-16**

[52] U.S. Cl. .... **D12/169**

[58] Field of Search ..... **D12/169; 293/60, 62,**  
**293/64-66, 68, 69 R, 71 R, 71 P, 73, 74, 75, 76,**  
**84, 85, 77, 78, 1 R**

[56]

## References Cited

### U.S. PATENT DOCUMENTS

|           |         |                     |        |
|-----------|---------|---------------------|--------|
| 3,708,195 | 1/1973  | Kottsieper .....    | 293/74 |
| 3,820,834 | 6/1974  | Wilfert et al. .... | 293/75 |
| 3,823,968 | 7/1974  | Barenyi .....       | 293/84 |
| 3,843,180 | 10/1974 | Alexander .....     | 293/74 |

*Primary Examiner*—Wallace R. Burke  
*Assistant Examiner*—James M. Gandy  
*Attorney, Agent, or Firm*—John W. Kraft

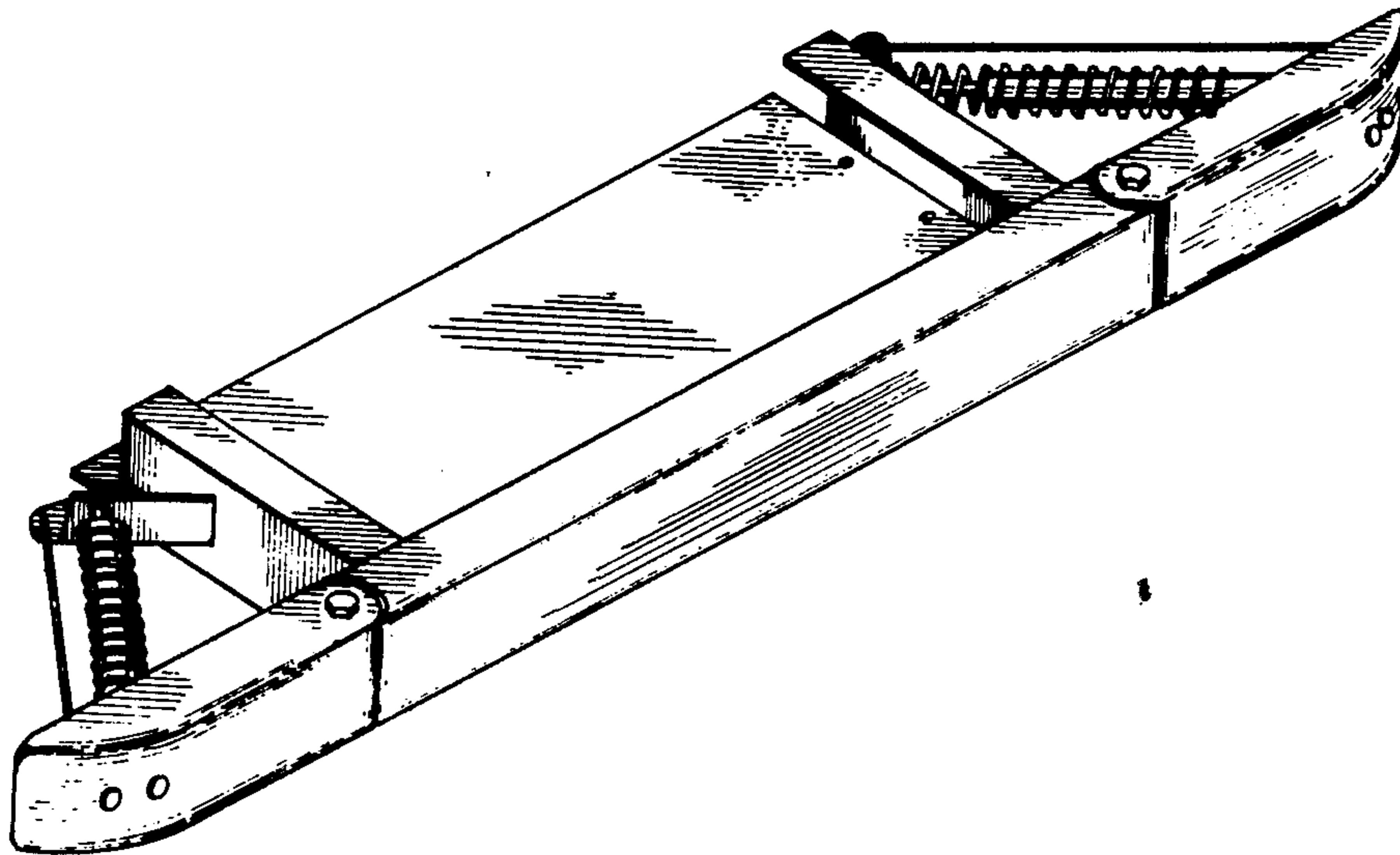
[57]

## CLAIM

The ornamental design for a bumper, substantially as shown.

## DESCRIPTION

FIG. 1 is a right front perspective view of the bumper showing our new design;  
FIG. 2 is a bottom right rear perspective view thereof; and  
FIG. 3 is a bottom plan view thereof, the broken lines being for illustrative purposes only.



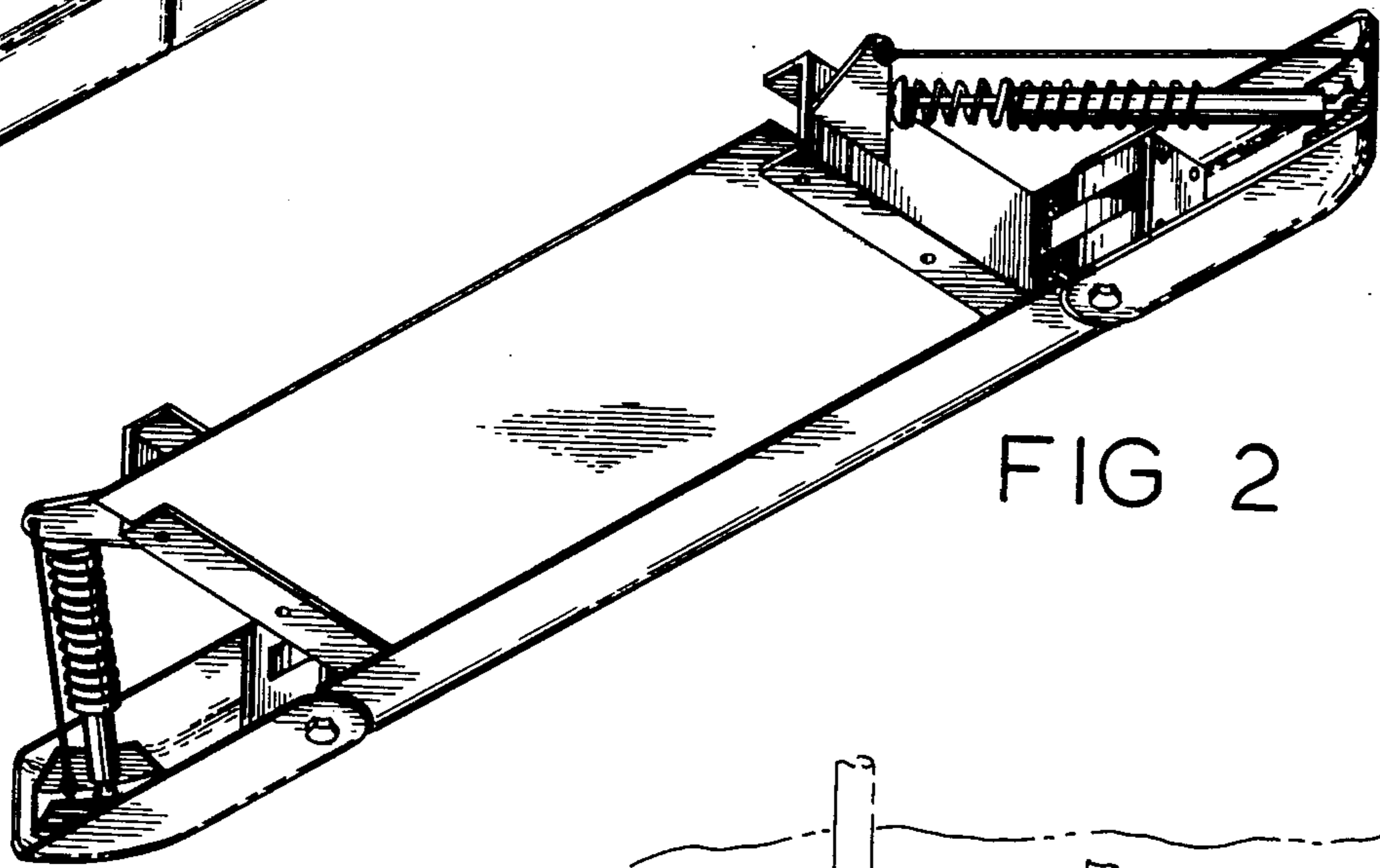
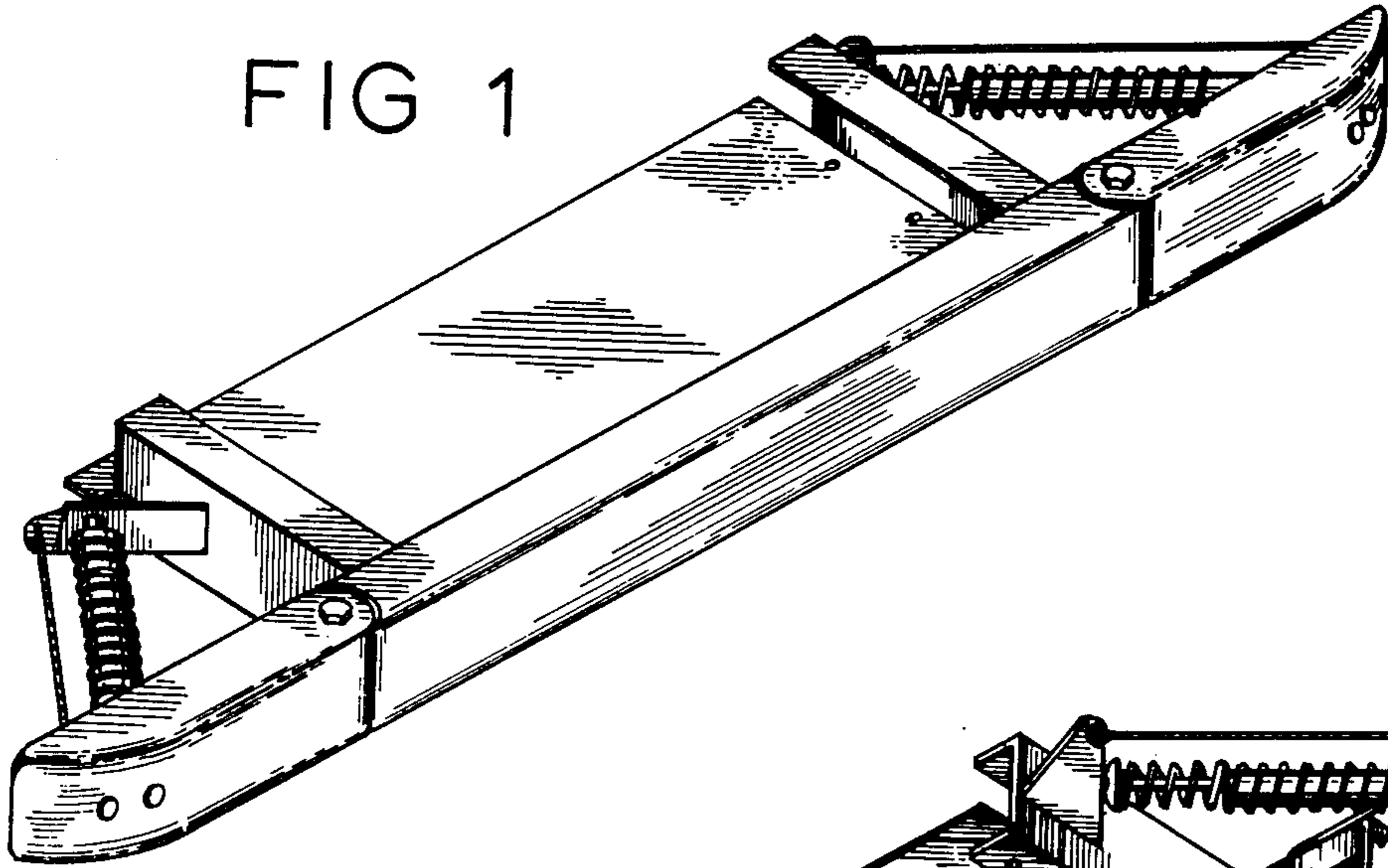


FIG 3

