

[54] MANUALLY PROPELLED AND STEERED
CART FOR INVALID CHILDREN

[76] Inventor: Carol Halpern, 14 Willowbrook
Lane, Freeport, N.Y. 11520

[**] Term: 14 Years

[21] Appl. No.: 699,362

[22] Filed: June 24, 1976

[51] Int. Cl. D12-02; D12-12

[52] U.S. Cl. D12/26

[58] Field of Search D12/26, 32, 132, 128;
248/371; 280/47.11, 47.13 R, 47.34, 47.35, 62,
79.1, 79.2, 79.3, 87.01

[56] References Cited

U.S. PATENT DOCUMENTS

3,398,971 8/1968 Seidel 248/371

FOREIGN PATENT DOCUMENTS

574,990 4/1959 Canada 280/62

463,357 2/1950 Canada 280/62

Primary Examiner—Wallace R. Burke

Assistant Examiner—James M. Gandy

Attorney, Agent, or Firm—Alan K. Roberts

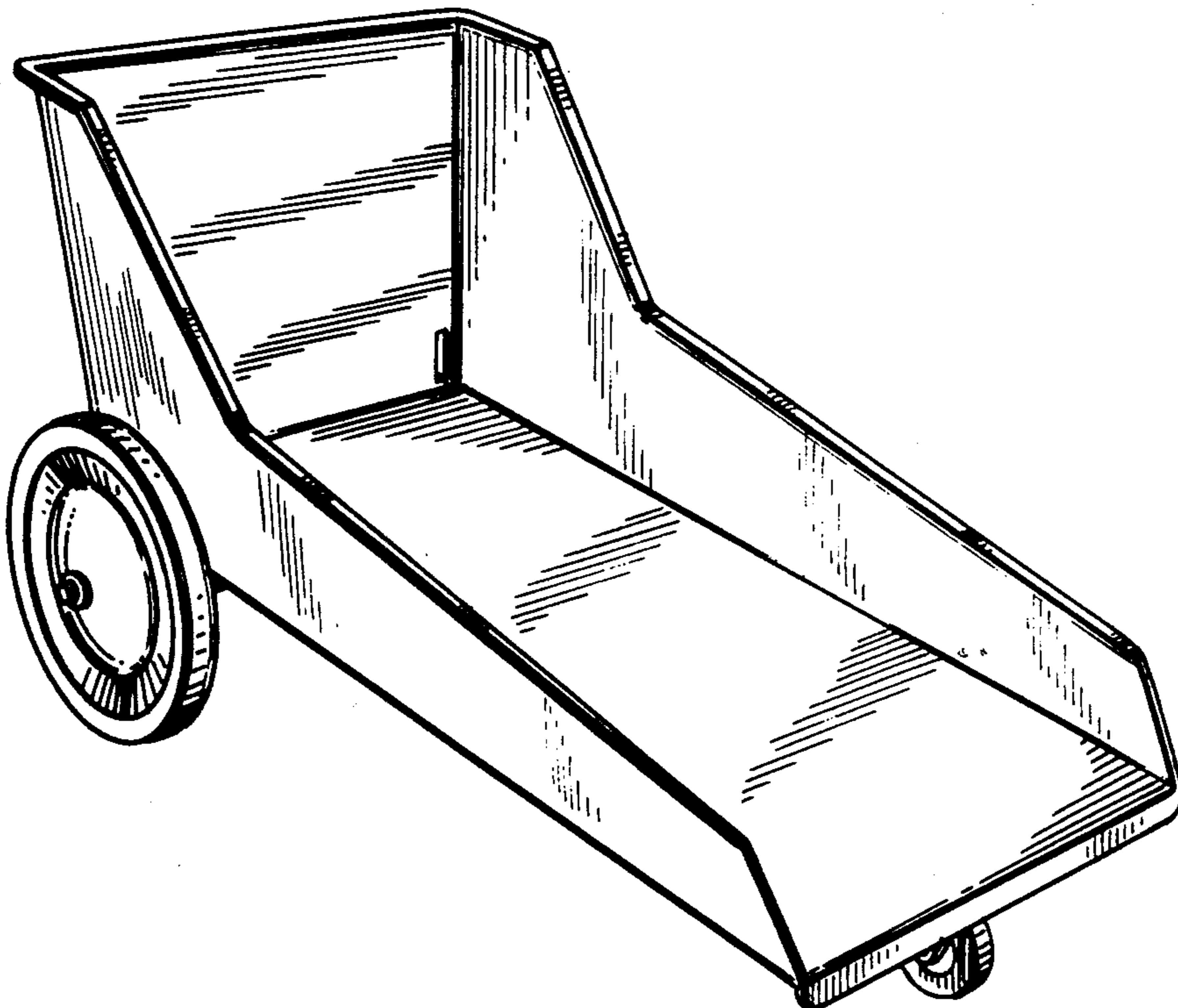
[57] CLAIM

The ornamental design for a manually propelled and
steered cart for invalid children, substantially as shown.

DESCRIPTION

FIG. 1 is a front perspective view showing my new
design for a manually propelled and steered cart for
invalid children; and

FIG. 2 is a bottom perspective view thereof.



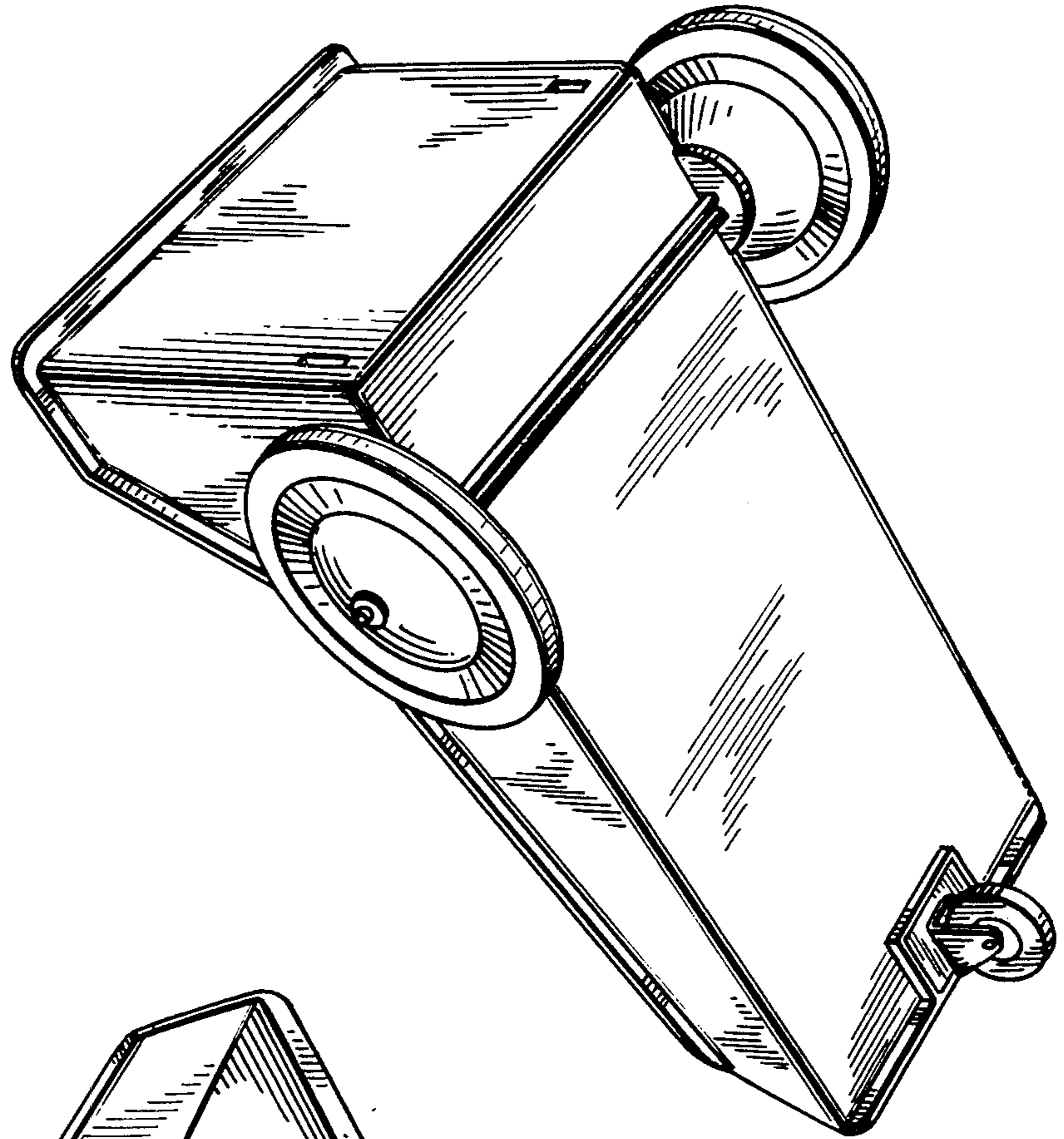


FIG. 2

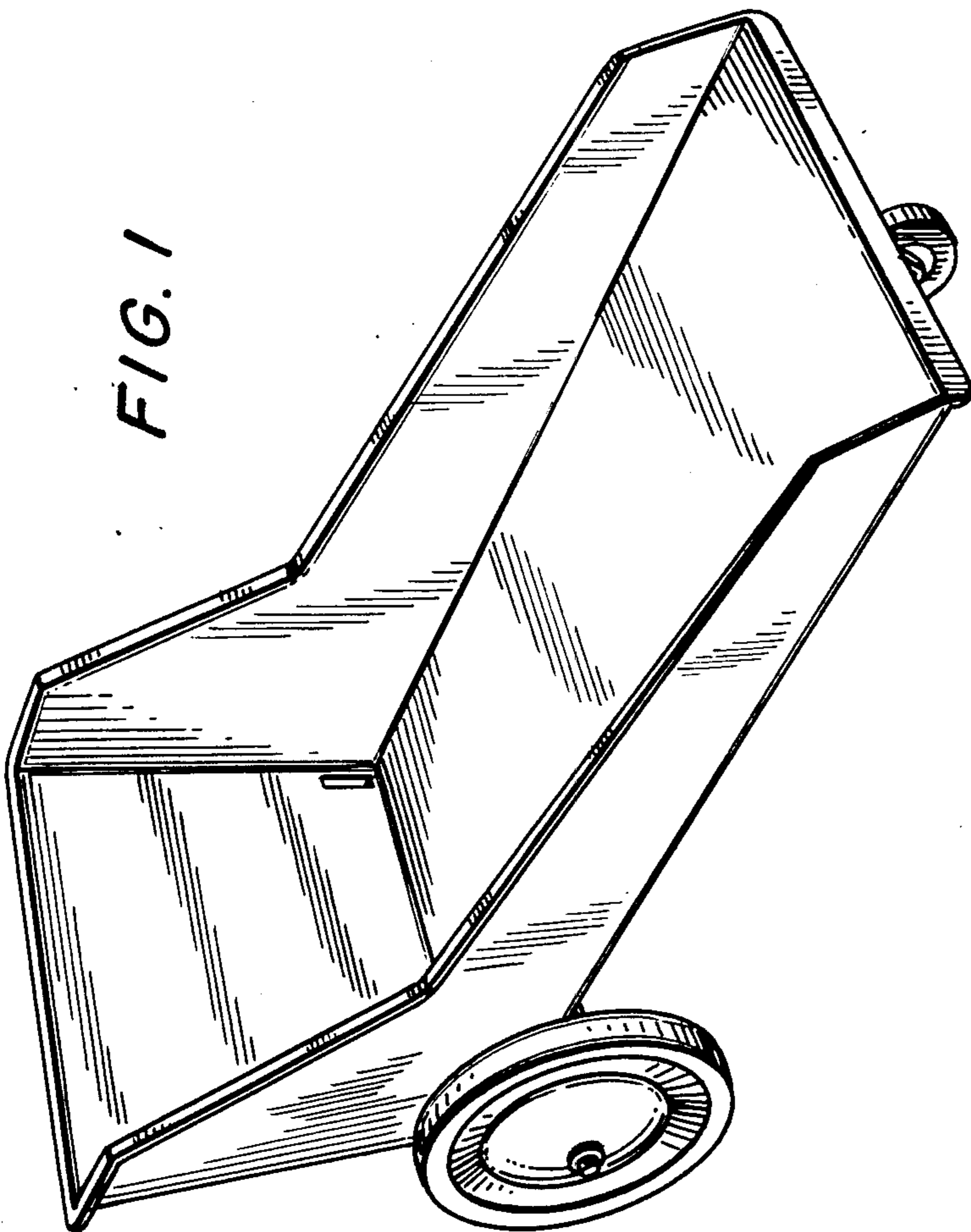


FIG. 1