

[54] RADIATION DETECTOR
[75] Inventor: David C. Byram, Bloomington, Minn.
[73] Assignee: Minnesota Mining and Manufacturing Company, St. Paul, Minn.

[**] Term: 14 Years

[21] Appl. No.: 515,913

[22] Filed: Oct. 18, 1974

[51] Int. Cl. D10-03
[52] U.S. Cl. D10/47
[58] Field of Search D10/47, 46, 75-81, D10/96-103; 250/239; 235/61.11 E; 340/146.3 SY

[56] References Cited
U.S. PATENT DOCUMENTS
D. 198,585 7/1964 Anderson D10/47

D. 209,011 10/1967 Sollima D10/47
D. 225,405 12/1972 Szeles D10/47
D. 231,739 6/1974 Gauthier D10/78

OTHER PUBLICATIONS

Design, 3/57, p. 59, Stroboscope with Top.

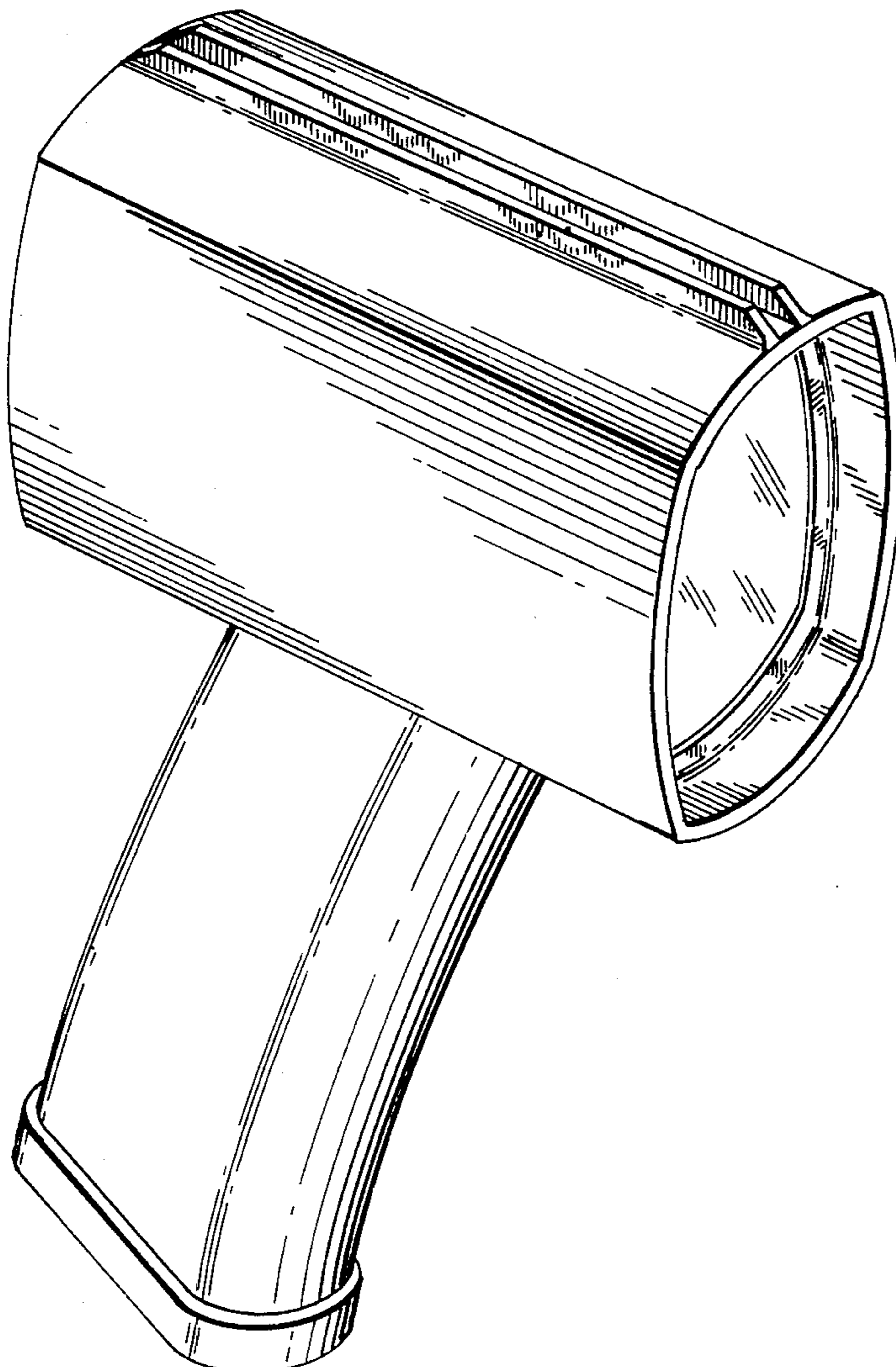
Primary Examiner—Nelson C. Holtje
Attorney, Agent, or Firm—Cruzan Alexander

[57] CLAIM

The ornamental design for a radiation detector, as shown.

DESCRIPTION

FIG. 1 is a perspective view of a radiation detector showing my new design;
FIG. 2 is a front elevational view thereof;
FIG. 3 is a side elevational view thereof, the opposite side being a mirror image of the side shown;
FIG. 4 is a rear elevational view thereof;
FIG. 5 is a top plan view thereof;
FIG. 6 is a bottom plan view thereof.



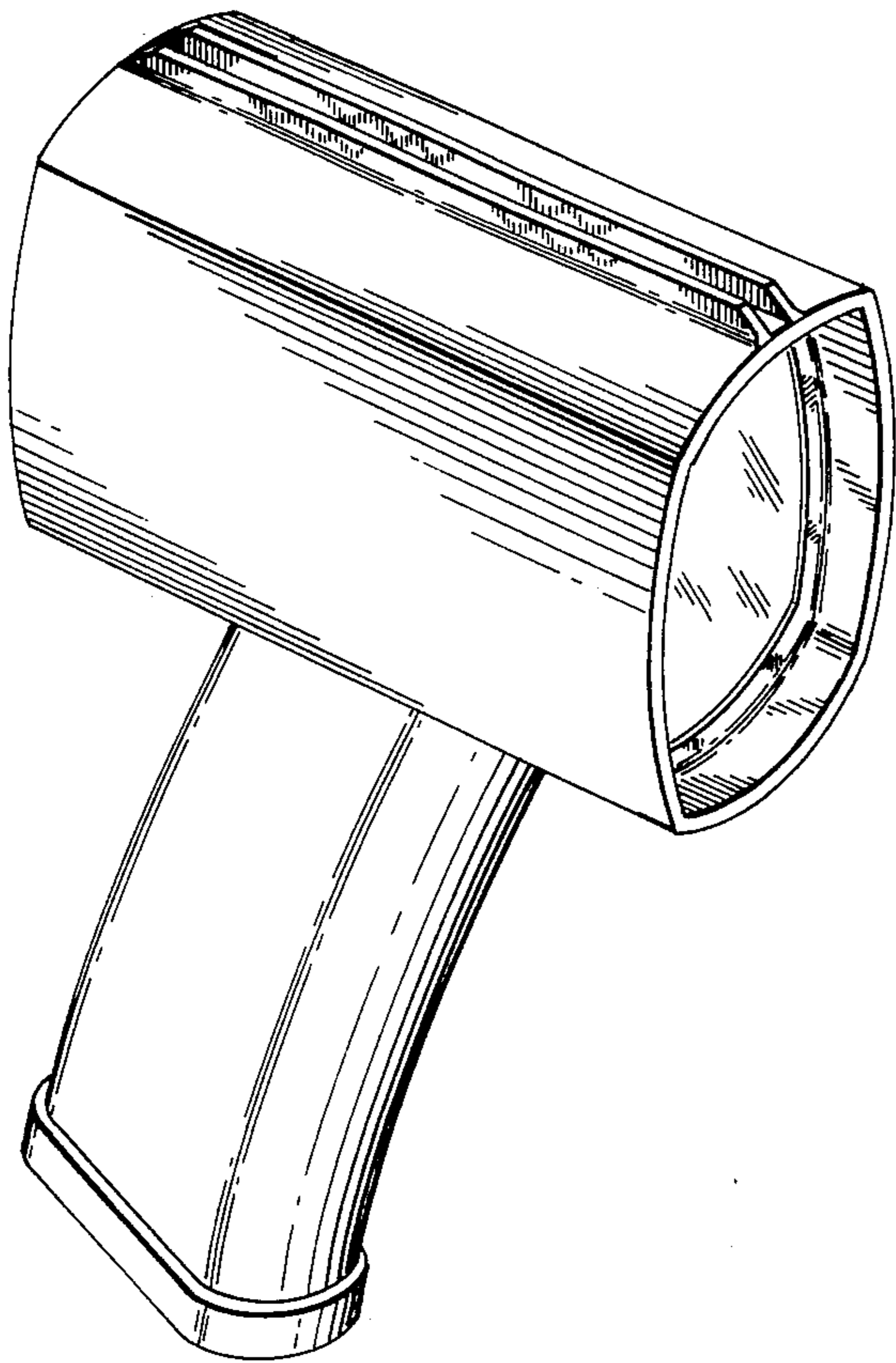


FIG. 1

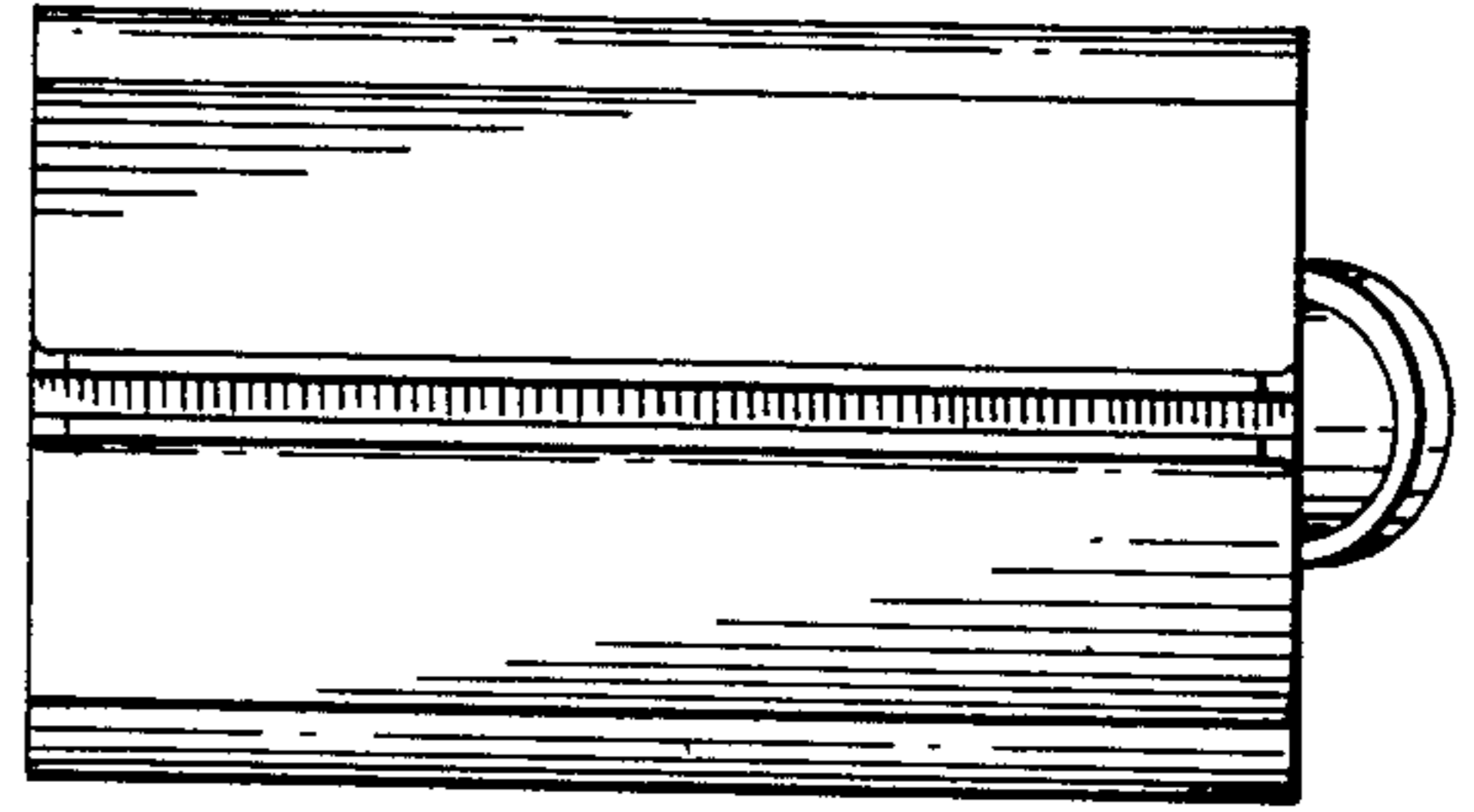


FIG. 5

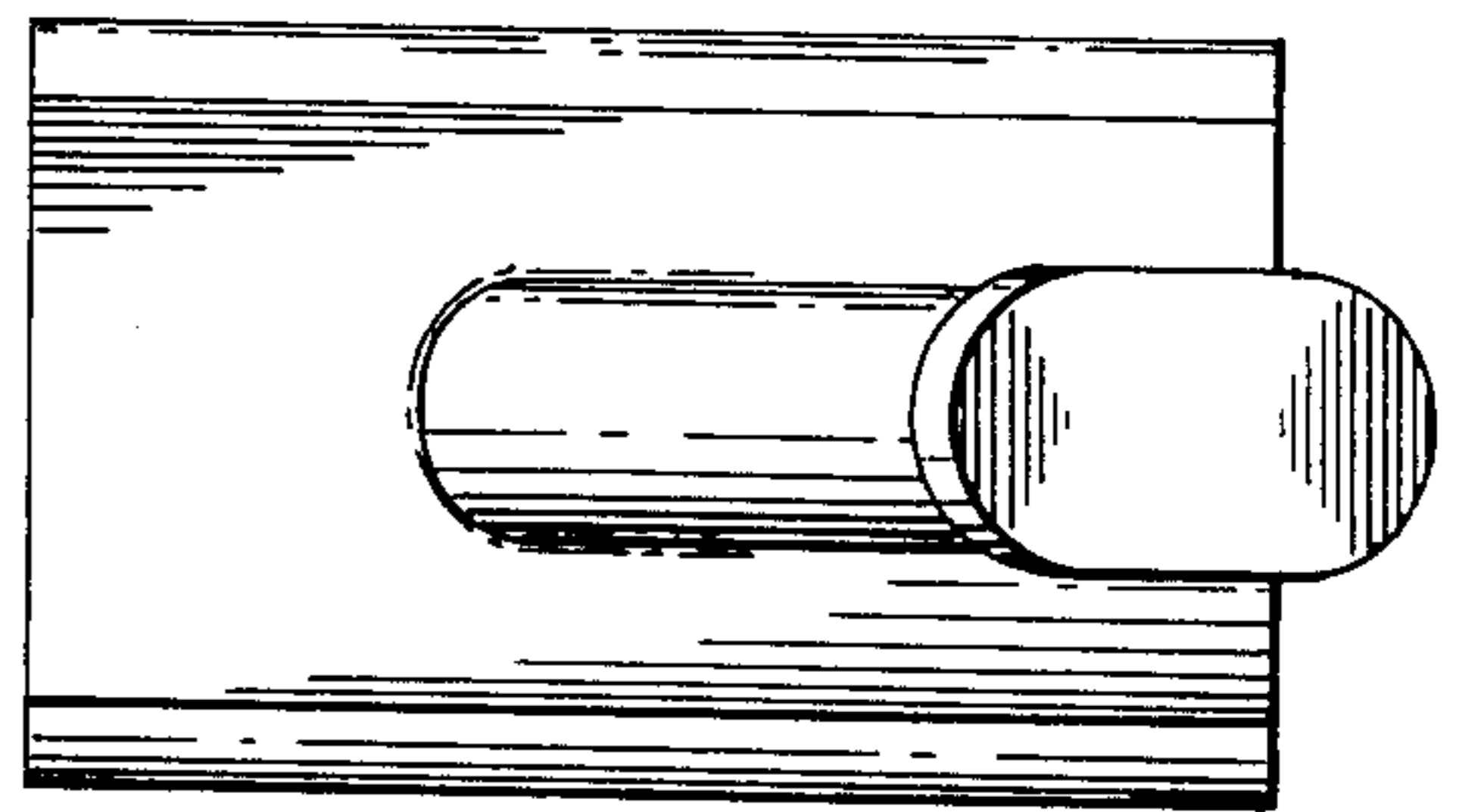


FIG. 6

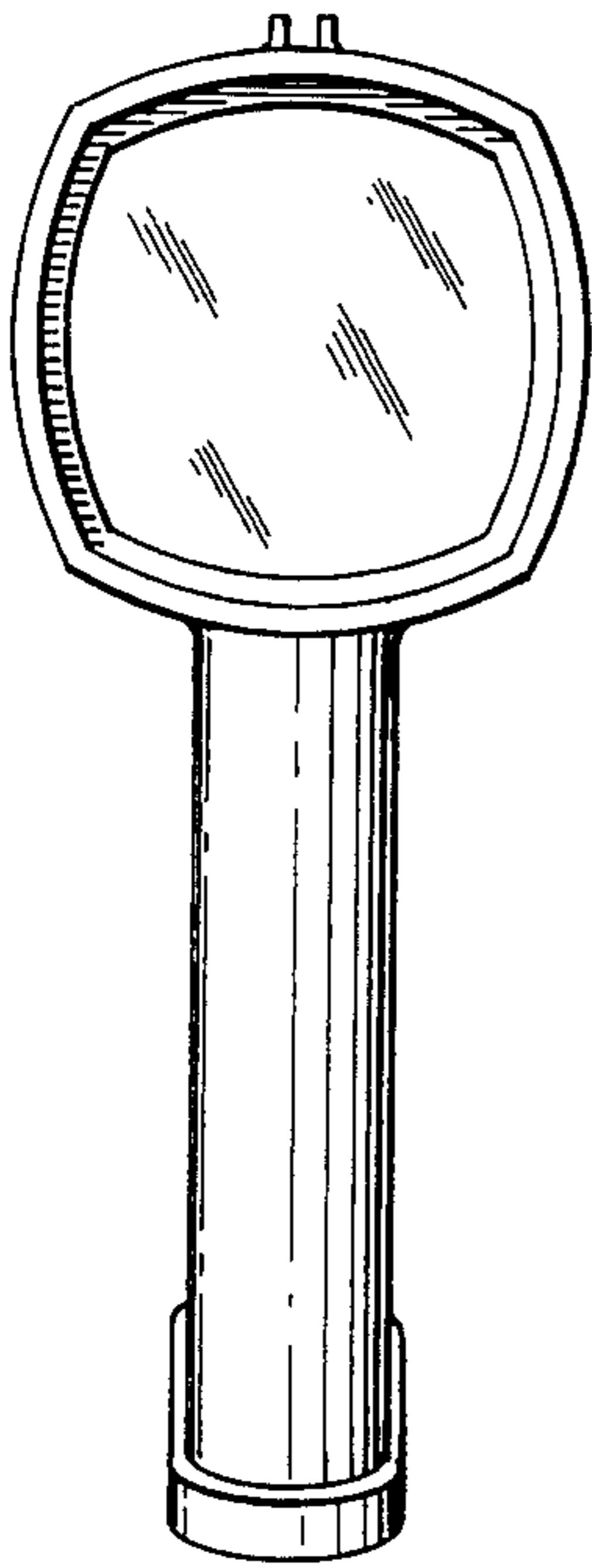


FIG. 2

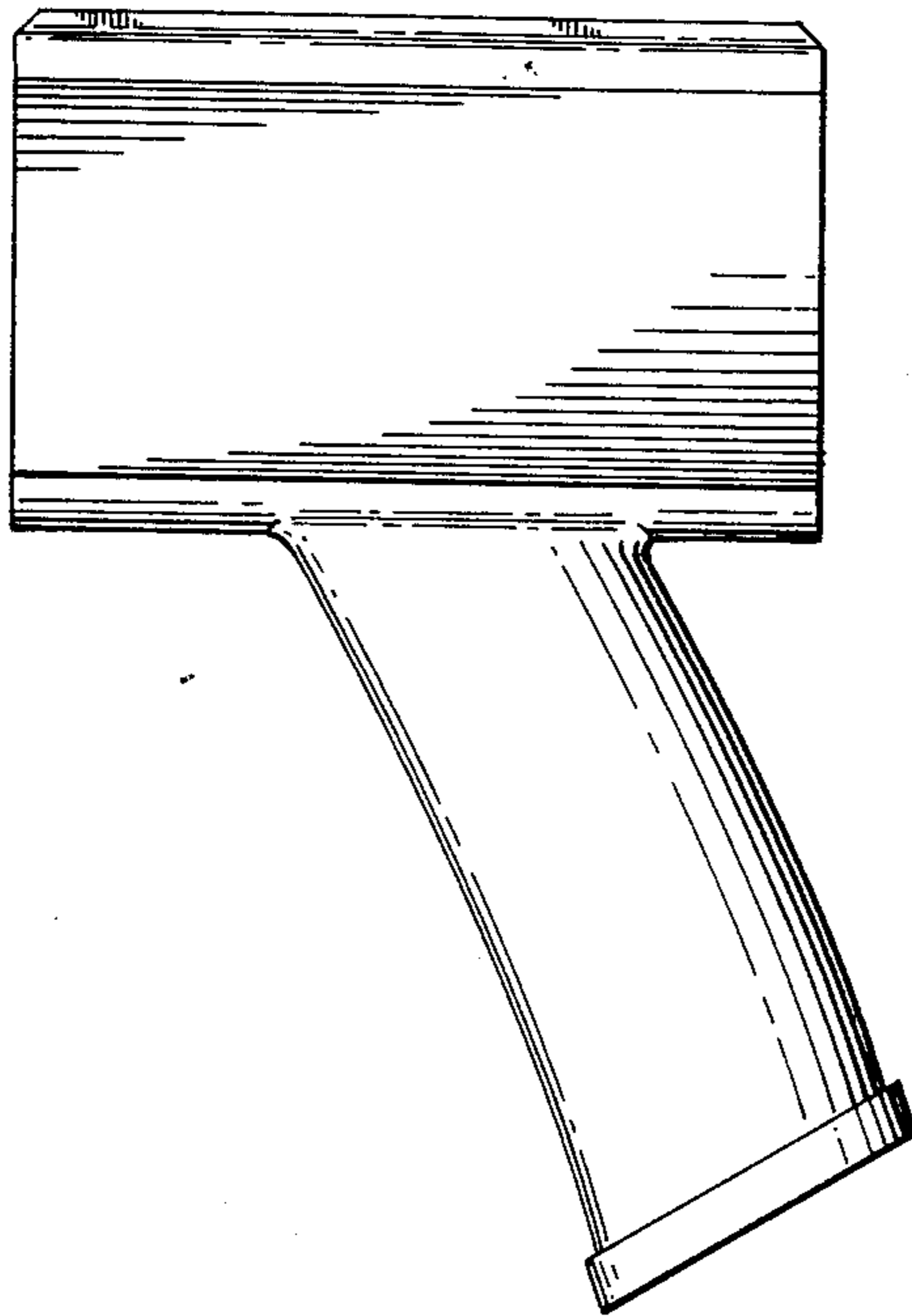


FIG. 3

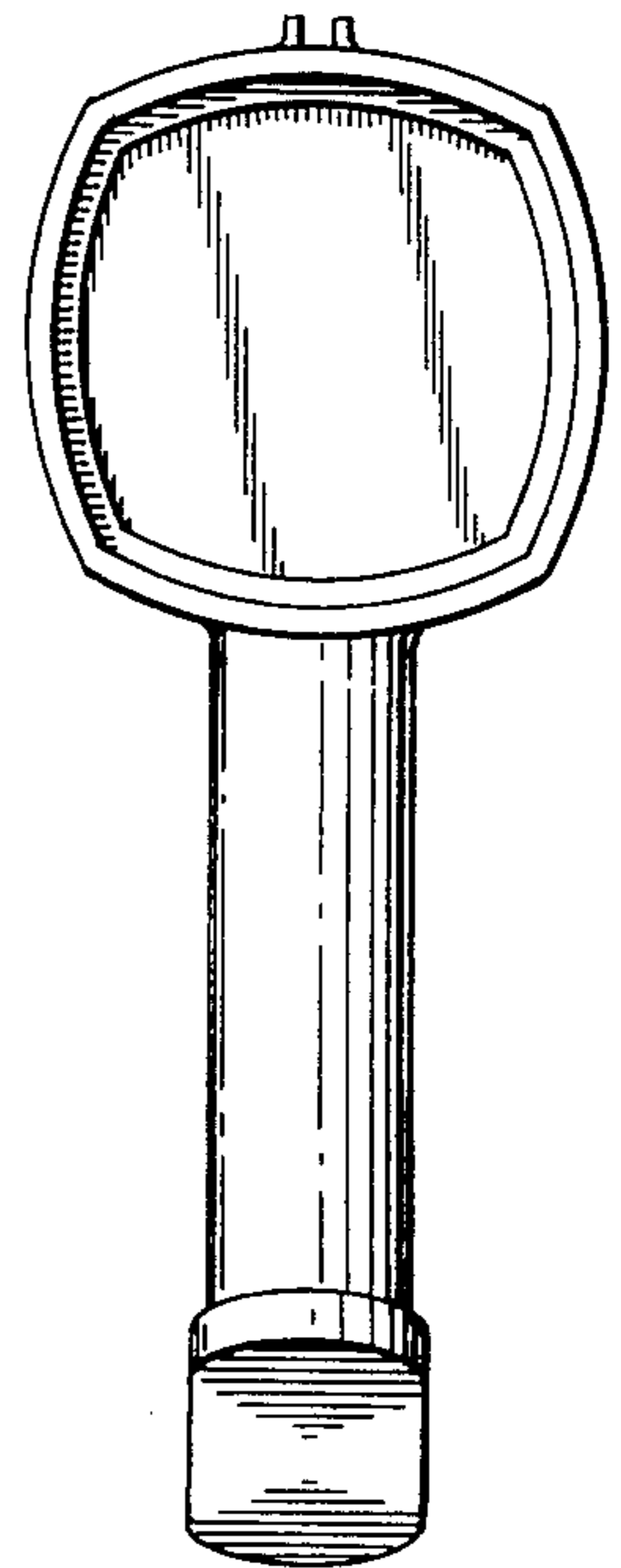


FIG. 4