

[54] KITCHEN TIMER OR SIMILAR ARTICLE

[75] Inventor: Dana W. Mox, Elk Grove Village, Ill.

[73] Assignee: Hanson Limited, Sligo, Ireland

[**] Term: 14 Years

[21] Appl. No.: 661,375

[22] Filed: Feb. 25, 1976

[51] Int. Cl. D10-03

[52] U.S. Cl. D10/40

[58] Field of Search D10/40; 58/21.13, 39.5

[56] References Cited

U.S. PATENT DOCUMENTS

3,827,232	8/1974	Bassett	58/21.13
D. 184,300	1/1959	Boldt	D10/40
D. 232,920	9/1974	Rodriguez	D10/40

Primary Examiner—Nelson C. Holtje
Attorney, Agent, or Firm—Ernest A. Wegner

[57] CLAIM

The ornamental design for a kitchen timer or similar article, as shown and described.

DESCRIPTION

FIG. 1 is a front elevational view of a kitchen timer or similar article showing my new design;
FIG. 2 is a top plan view thereof;
FIG. 3 is a right side elevational view thereof; and
FIG. 4 is a rear elevational view thereof.

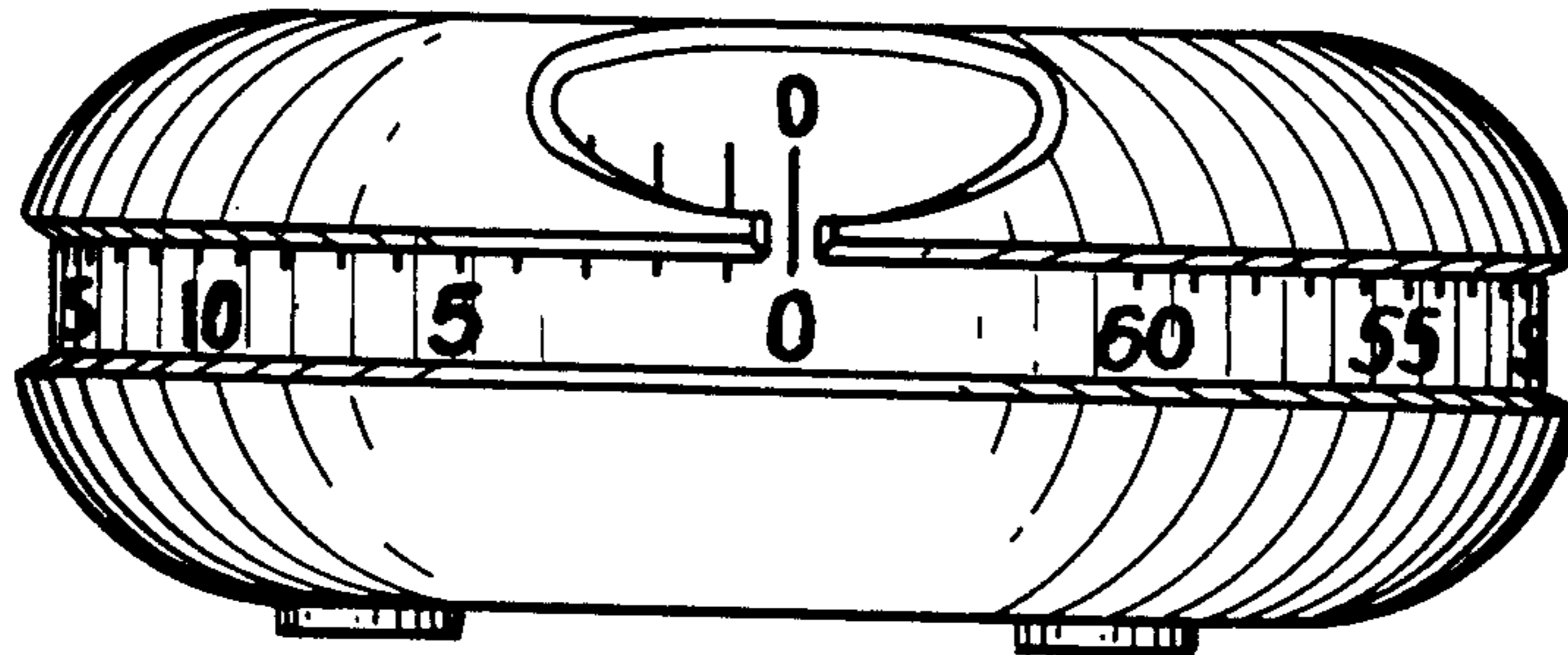


Fig. 1.

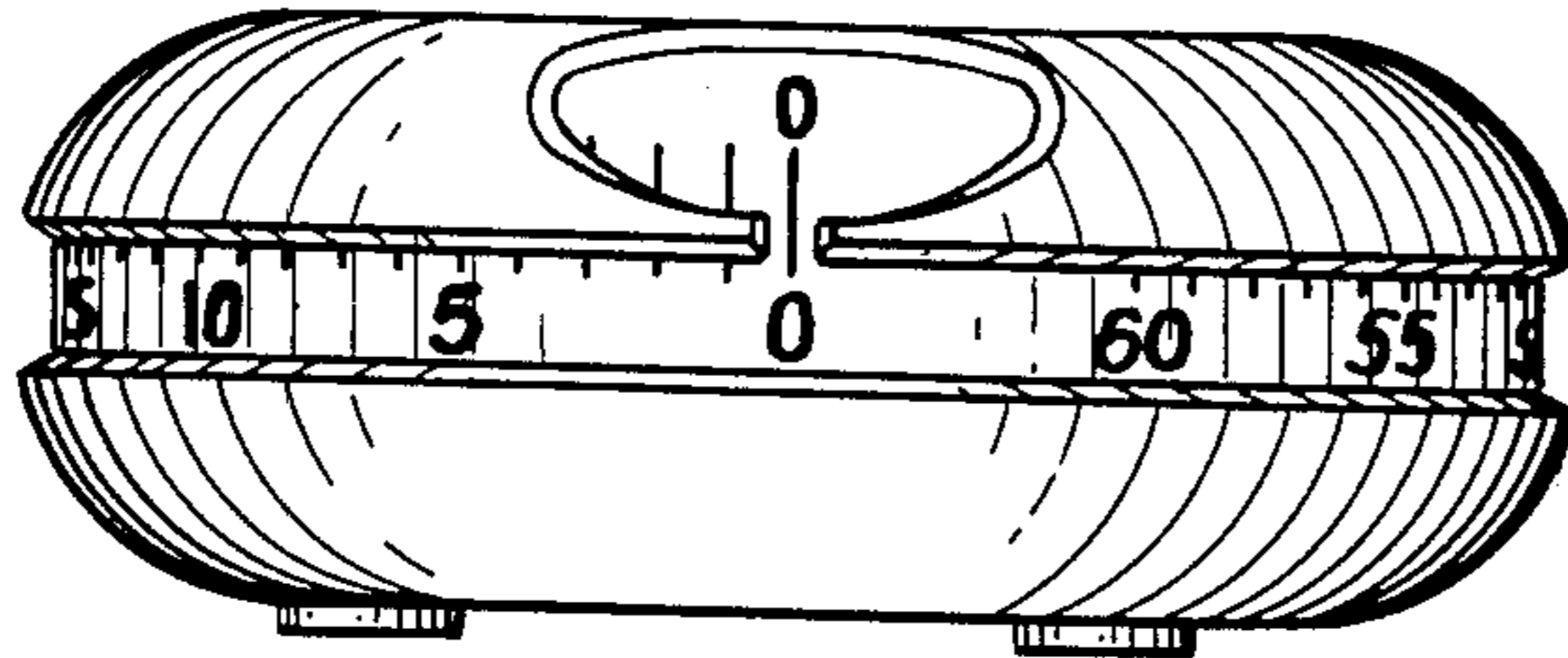


Fig. 2.

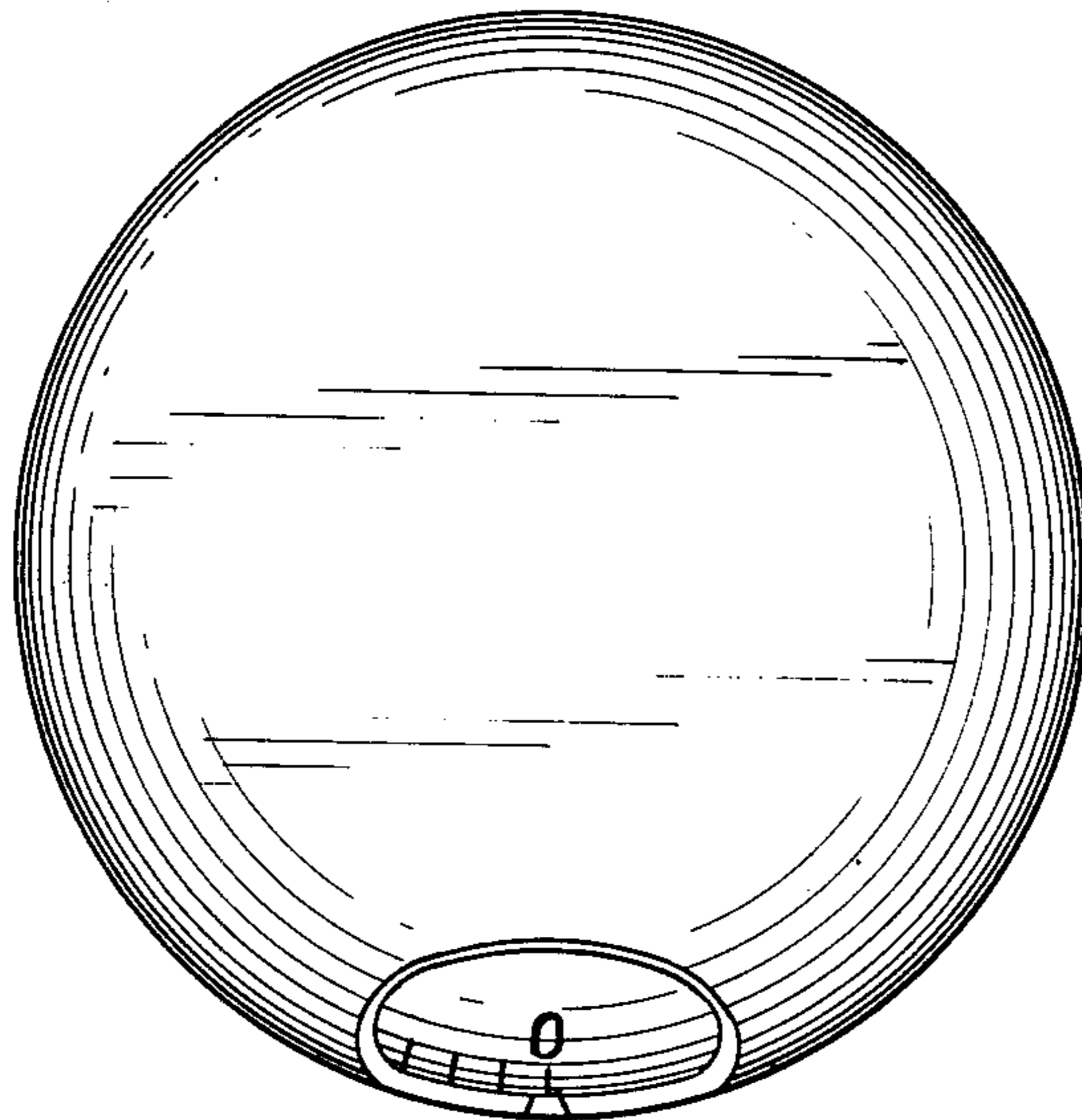


Fig. 3.

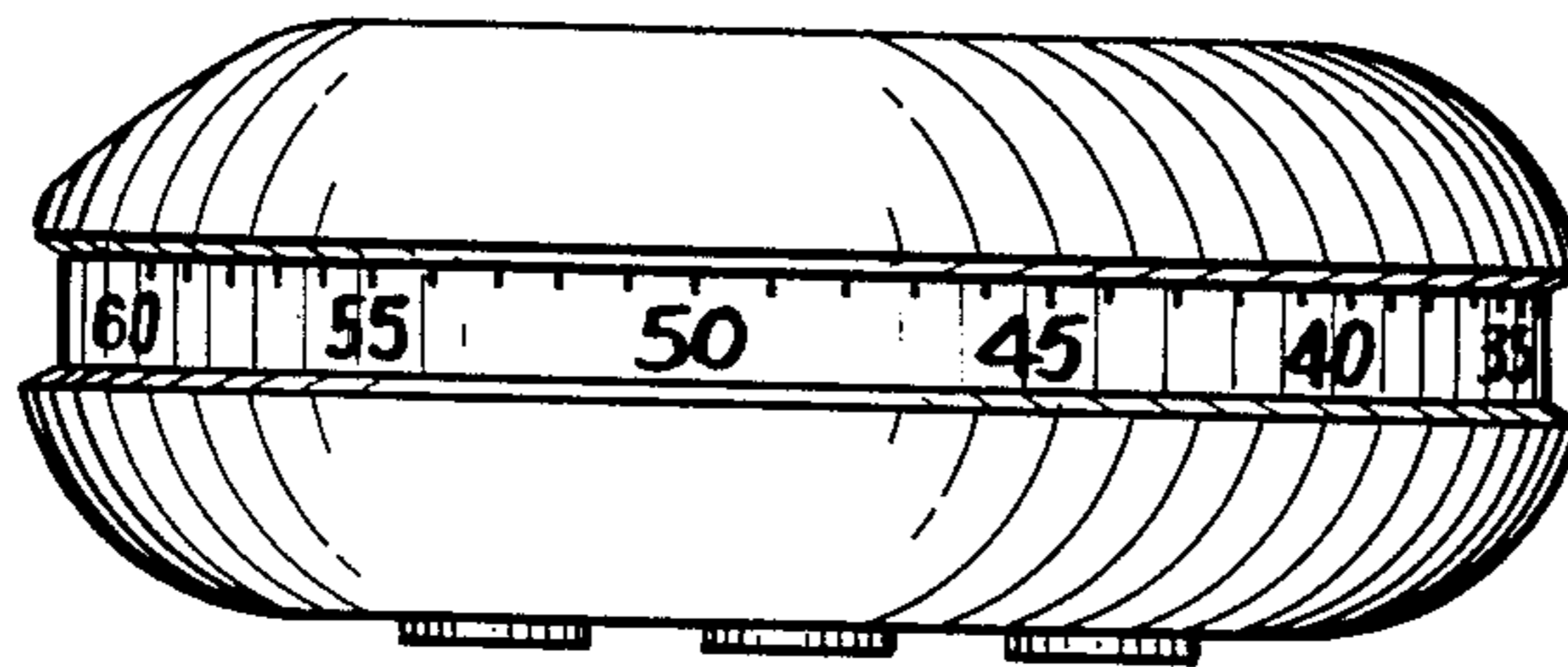


Fig. 4.

