

[54] MOUNTABLE HOLDER FOR A BAG CONTAINING A FLUENT SUBSTANCE

[75] Inventor: William R. Scholle, Corona del Mar, Calif.

[73] Assignee: Scholle Corporation, Northlake, Ill.

[**] Term: 14 Years

[21] Appl. No.: 694,905

[22] Filed: June 10, 1976

[51] Int. Cl. D6-04

[52] U.S. Cl. D6/131

[58] Field of Search D6/86, 95, 114, 113, D6/130, 131; 222/146 R, 146 H, 146 HA, 173, 185, 181

[56] References Cited

U.S. PATENT DOCUMENTS

3,191,810	6/1965	Johnston	222/185
3,435,990	4/1969	Pike	222/146 R
D. 153,861	5/1949	DeSales	D6/95
D. 208,048	7/1967	Coleman	D6/95
D. 232,201	7/1974	Hoffman	D6/114

Primary Examiner—Wallace R. Burke
Assistant Examiner—B. J. Bullock
Attorney, Agent, or Firm—Thomas R. Juettner

[57] CLAIM

The ornamental design for mountable holder for a bag containing a fluent substance, substantially as shown.

DESCRIPTION

FIG. 1 is a perspective view of a mountable holder for a bag containing a fluent substance showing my new design;

FIG. 2 is a front elevational view thereof;

FIG. 3 is a side elevational view thereof; and

FIG. 4 is a top plan view thereof.

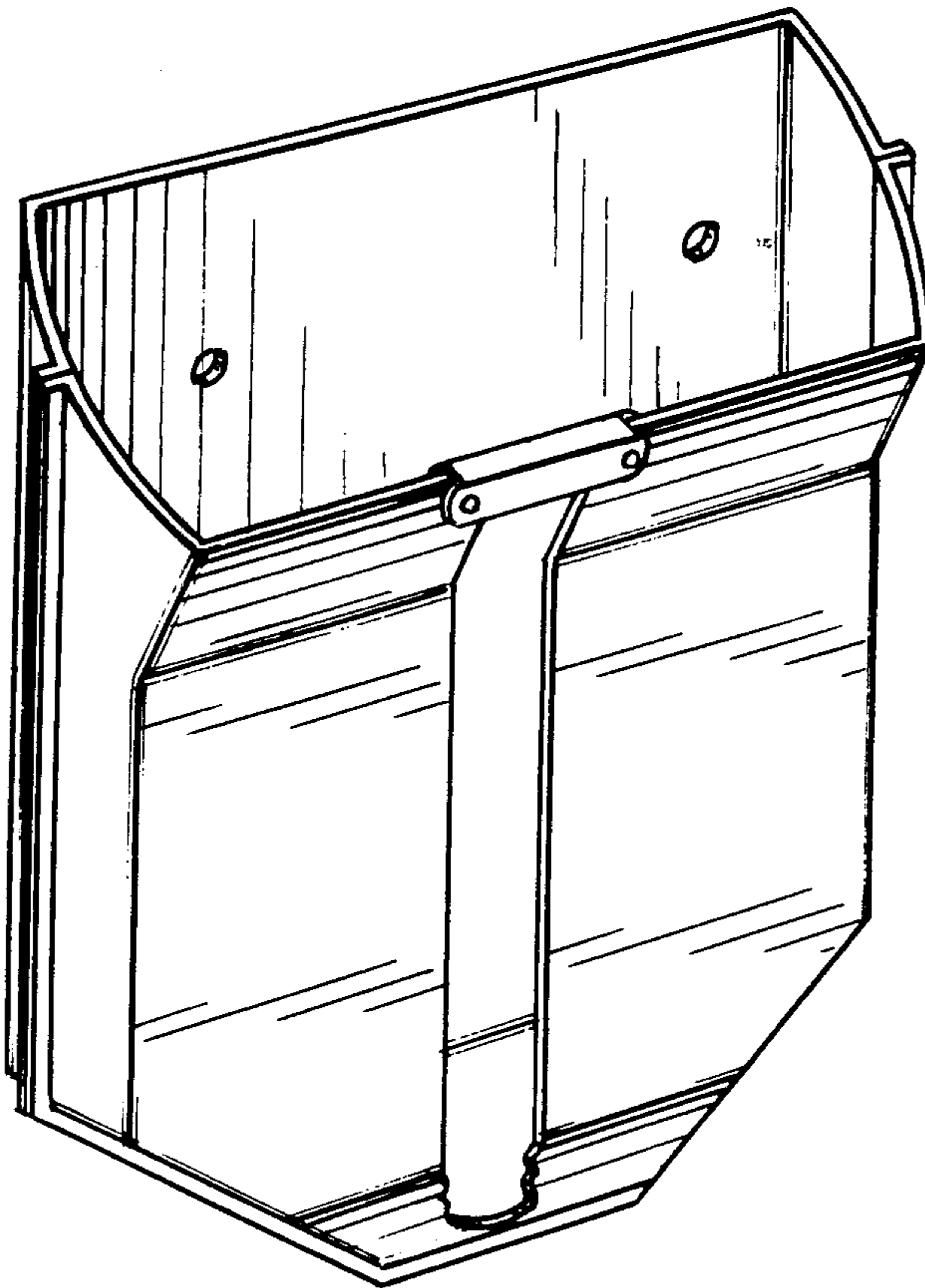


FIG. 1.

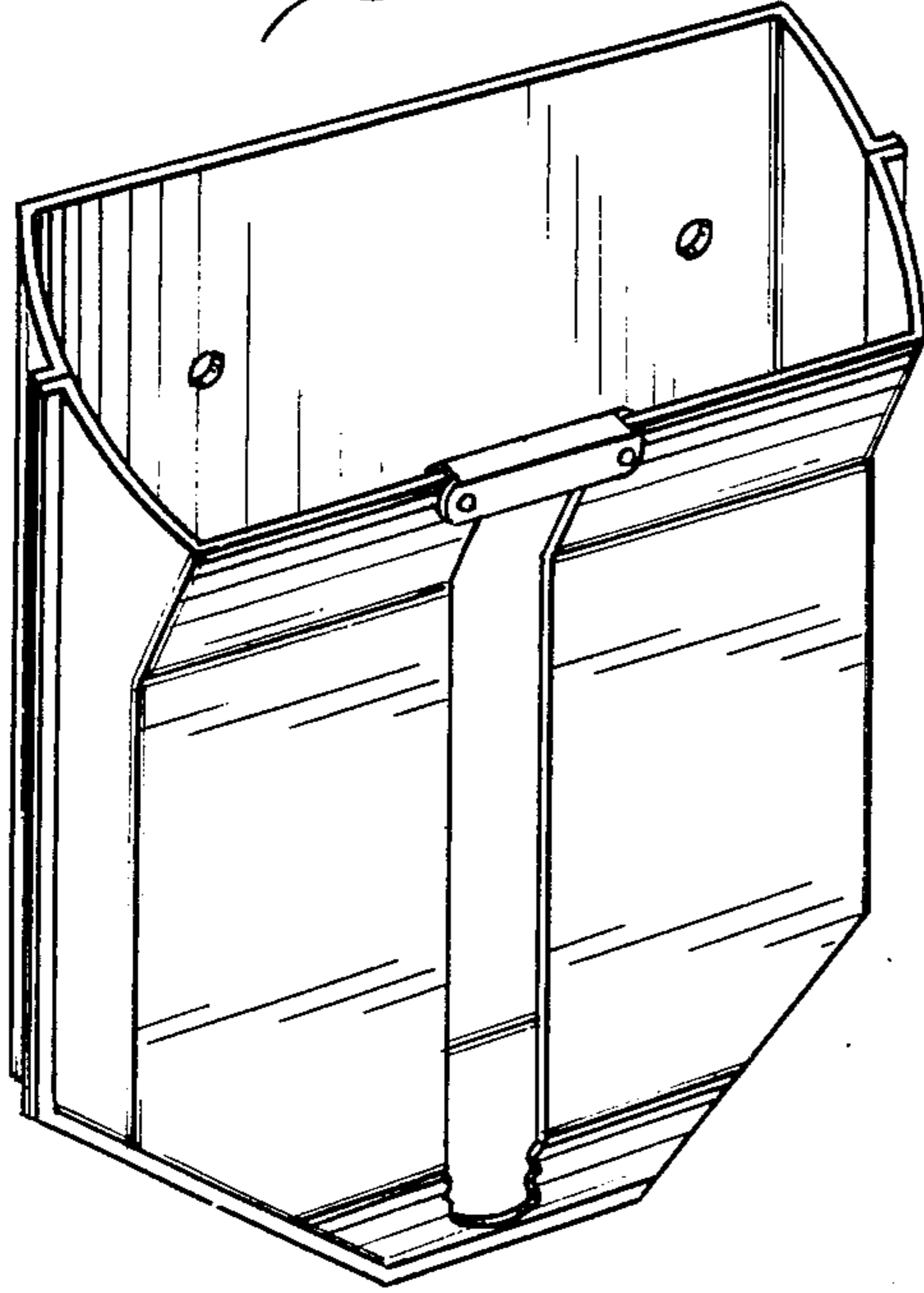


FIG. 2.

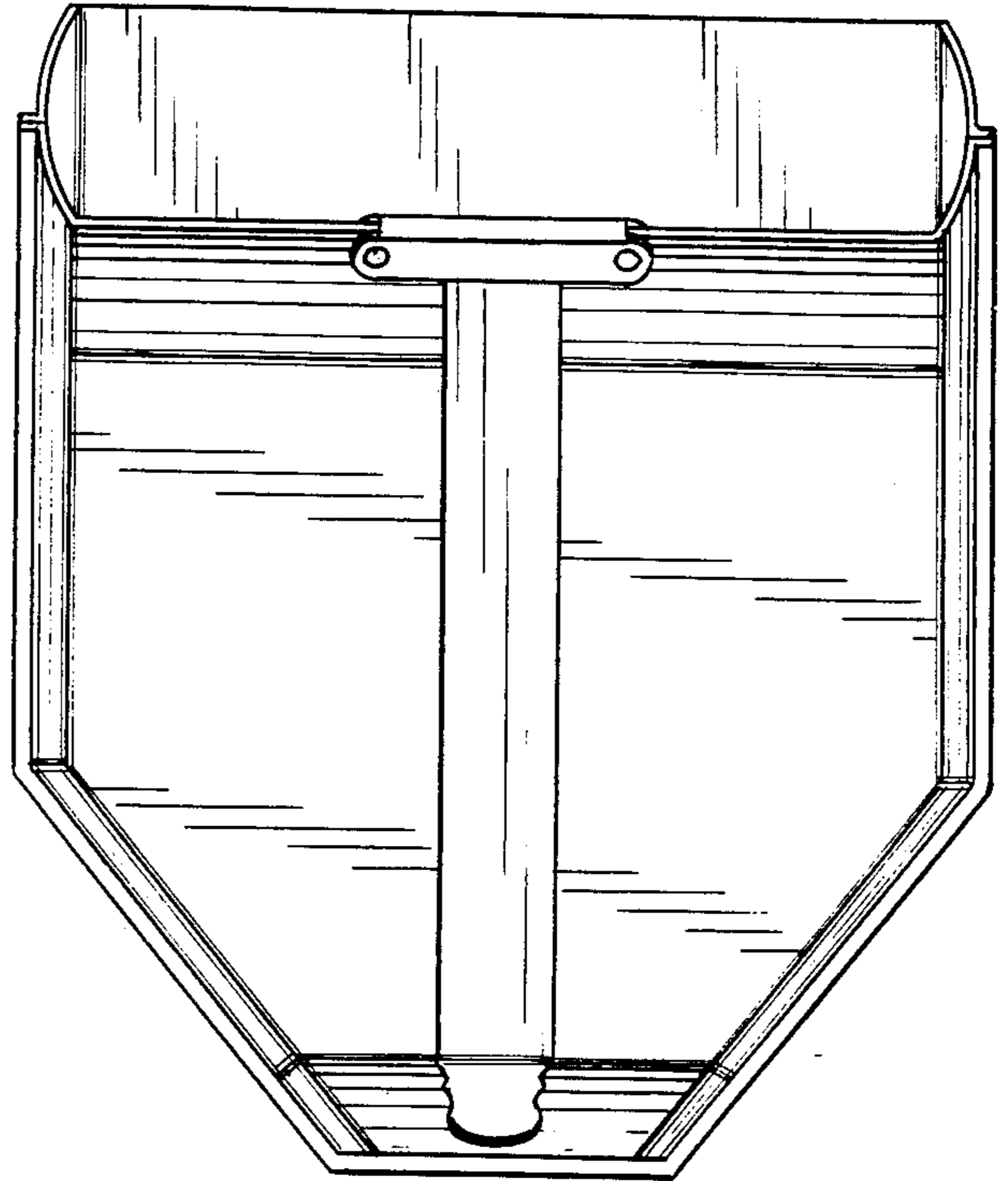


FIG. 3.

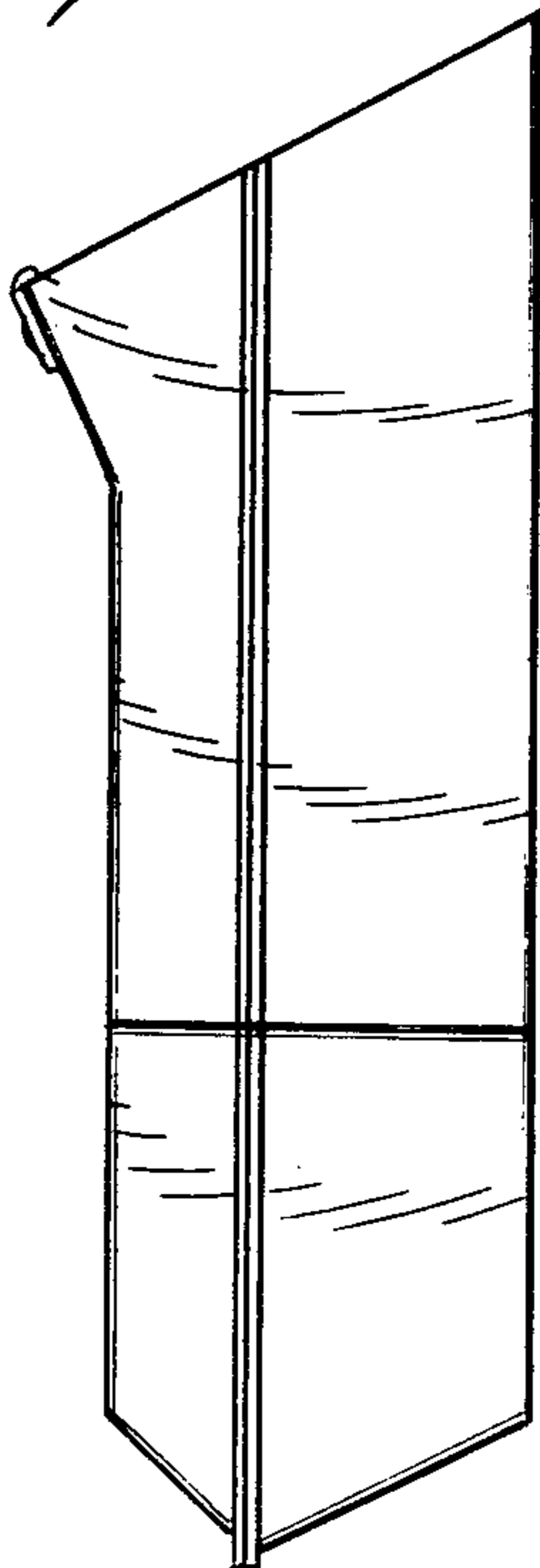


FIG. 4.

