

[54] NOZZLE HOLDER FOR GARDEN HOSE

[76] Inventor: Jeanne M. Meyer, 833 S. Ivy Drive, Lake Arrowhead, Calif. 92352

[**] Term: 14 Years

[21] Appl. No.: 628,052

[22] Filed: Nov. 3, 1975

[51] Int. Cl. D8-08

[52] U.S. Cl. D6/112

[58] Field of Search D6/85, 112; D8/1; 248/75, 80, 87, 88

[56] References Cited

U.S. PATENT DOCUMENTS

1,479,943	1/1924	Thompson	248/88
3,119,587	1/1964	Anderson	248/75

D. 32,226	2/1900	Dotson	D6/112
D. 187,774	4/1960	Gardner	D6/112

OTHER PUBLICATIONS

Hardware Age, 3/15/56, p. 248, Sprinkler No. 875.

Primary Examiner—Wallace R. Burke

Assistant Examiner—B. J. Bullock

Attorney, Agent, or Firm—Allan M. Shapiro

[57] CLAIM

The ornamental design for a nozzle holder for garden hose, substantially as shown.

DESCRIPTION

FIG. 1 is a front perspective view of a nozzle holder for garden hose, showing my new design;

FIG. 2 is a rear perspective view thereof;

FIG. 3 is a top plan view thereof; and

FIG. 4 is a bottom plan view thereof.

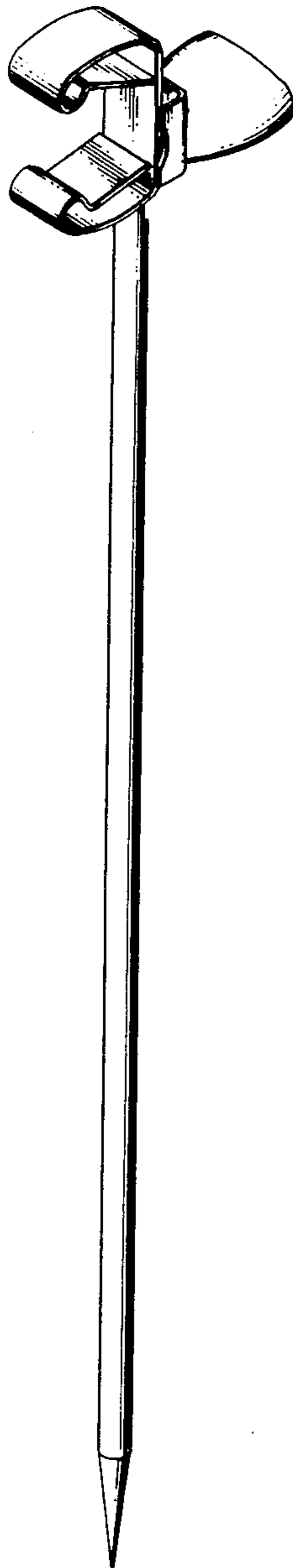


Fig. 1

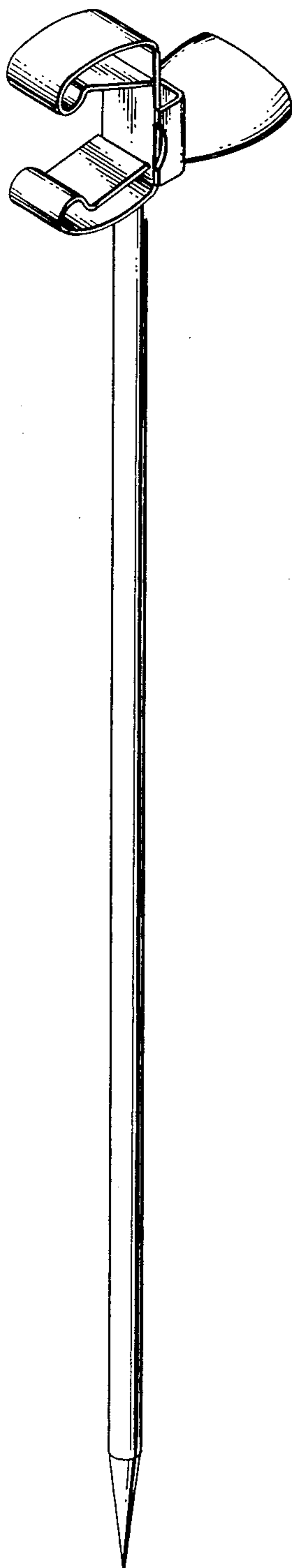


Fig. 2

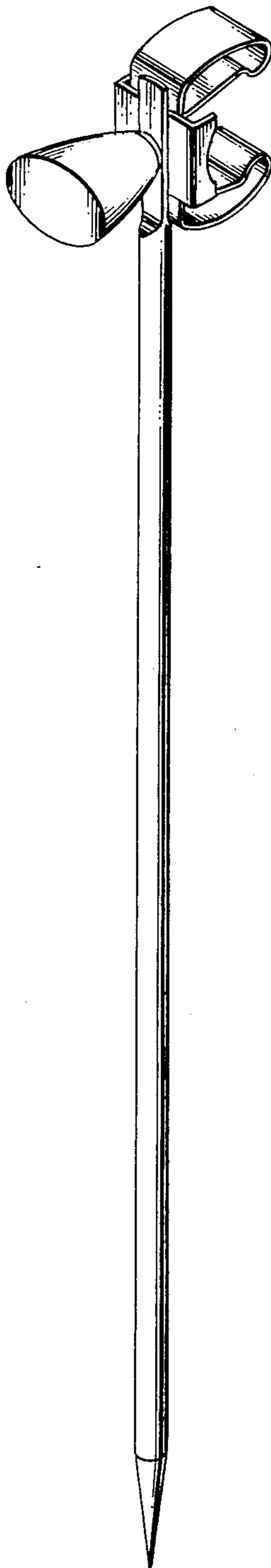


Fig. 3

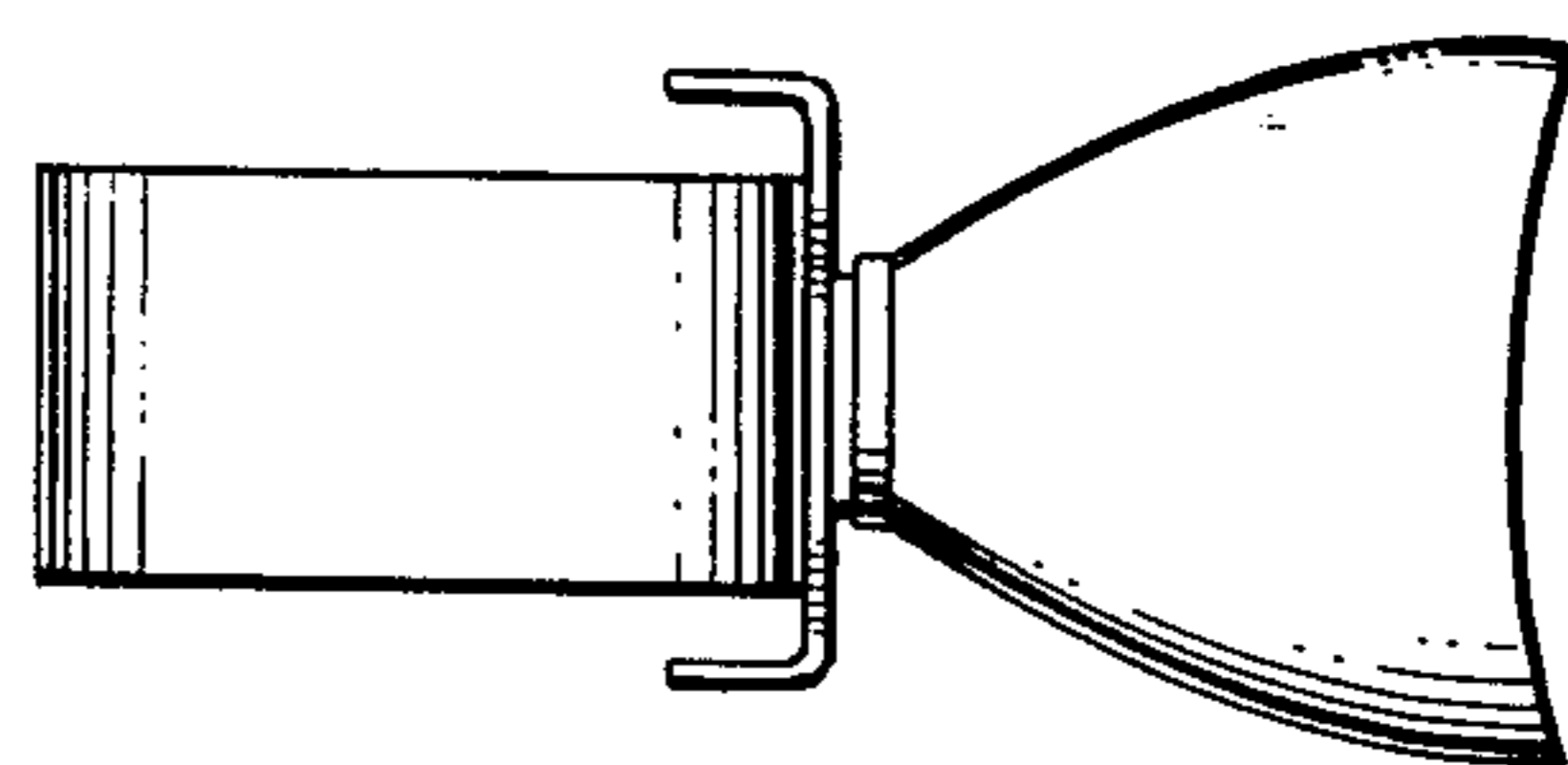


Fig. 4

