

[54] SKI CLAMP

[76] Inventors: Uri Surkin, 5843 N. Ranchito, Van Nuys, Calif. 91401; Ludwig Surkin, 6501 Drexel Ave., Los Angeles, Calif. 90048

[\*\*] Term: 14 Years

[21] Appl. No.: 744,767

[22] Filed: Nov. 24, 1976

[51] Int. Cl. .... D6-99; D8-99

[52] U.S. Cl. .... D6/85

[58] Field of Search ..... D6/85, 88, 113, 114, D6/116-118, 120, 122, 123, 125, 127, 129, 130, 132, 137; D8/233, 246, 380; 211/13, 40, 60 R, 60 SK, 87

[56] References Cited

U.S. PATENT DOCUMENTS

2,133,883 10/1938 Aubert ..... 211/60 SK

3,091,011 5/1963 Campbell ..... 211/60 SK  
3,330,573 7/1967 Sieloff ..... 211/60 SK

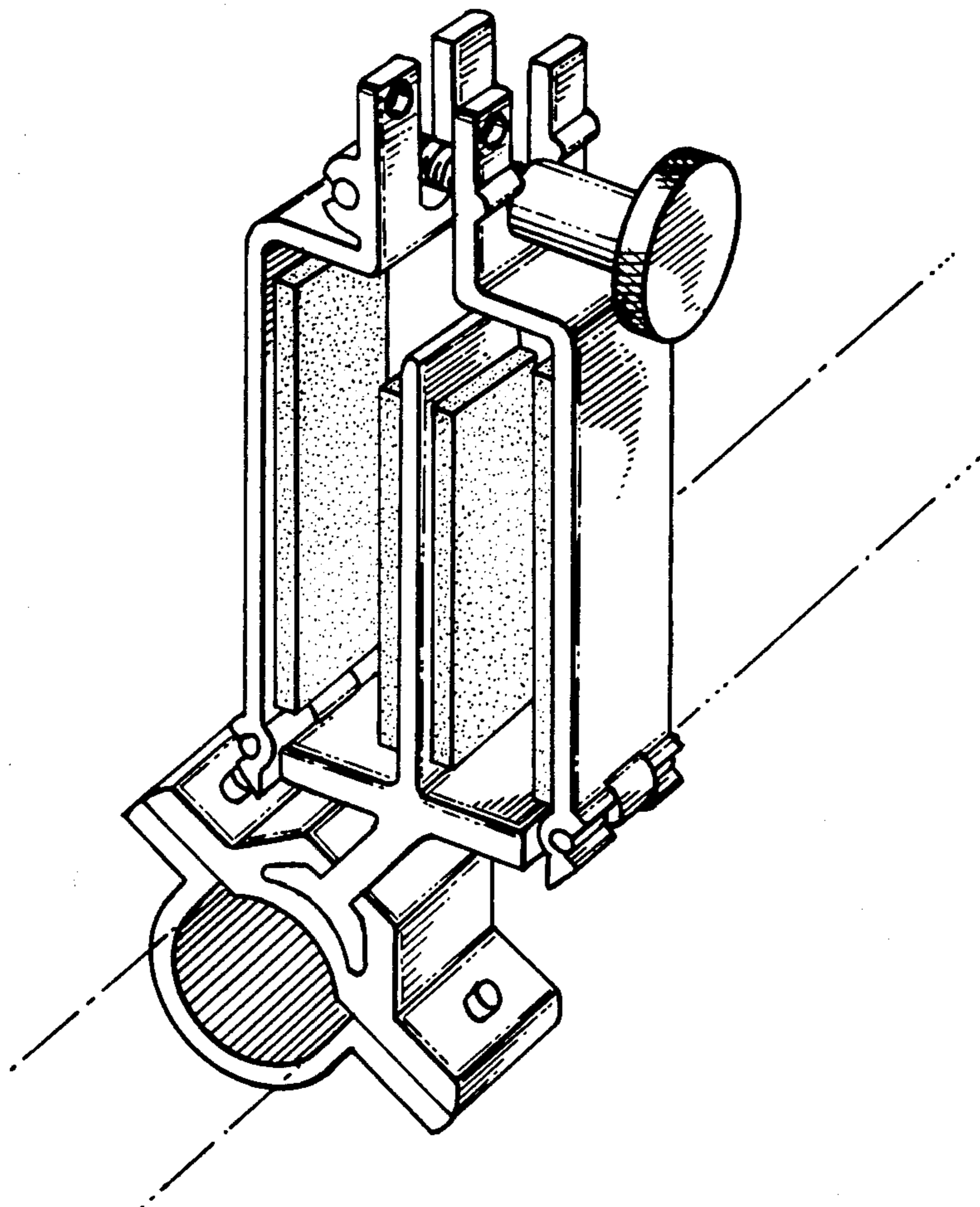
Primary Examiner—Wallace R. Burke  
Assistant Examiner—B. J. Bullock  
Attorney, Agent, or Firm—Saul Epstein

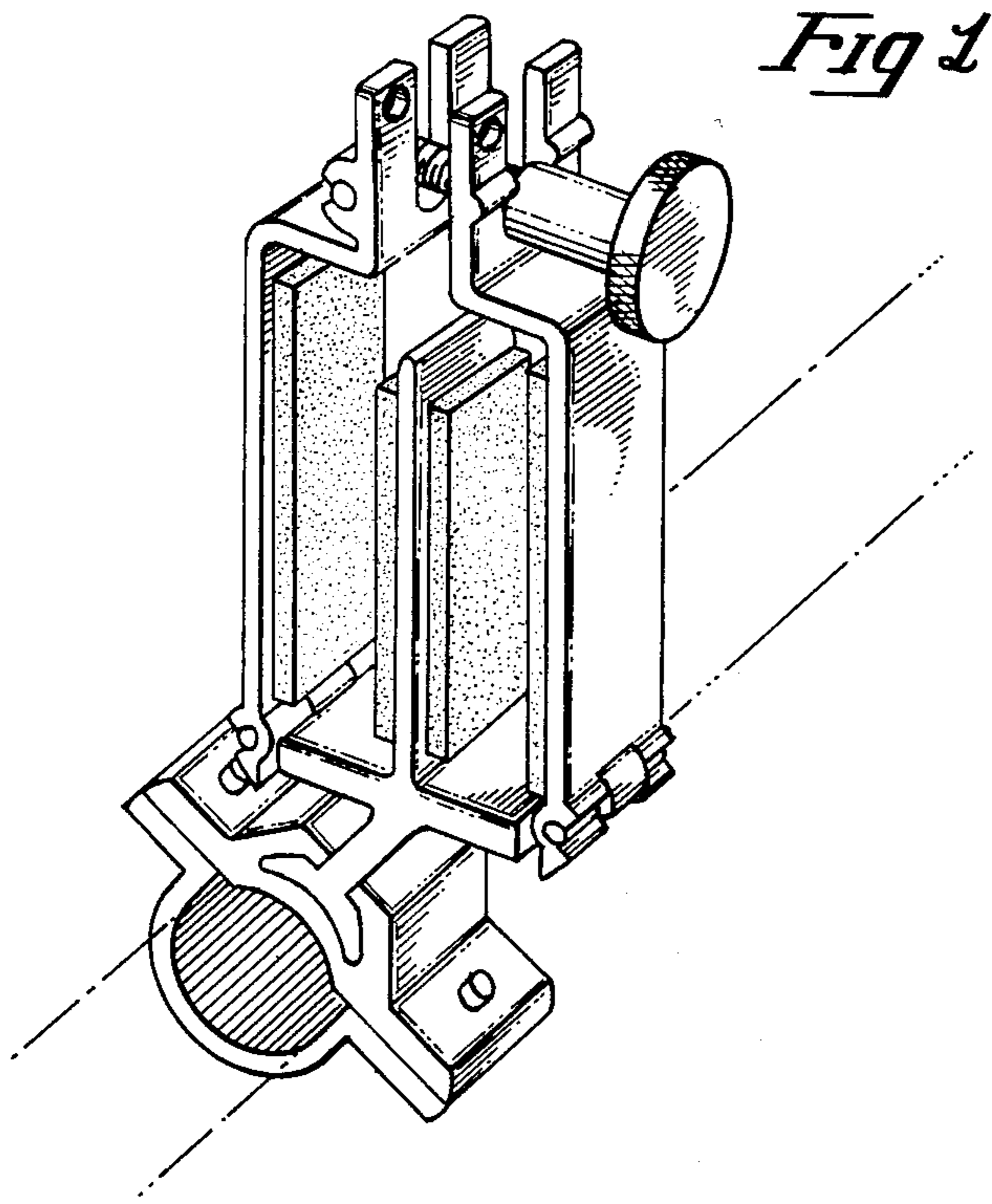
[57] CLAIM

The ornamental design for a ski clamp, substantially as shown and described.

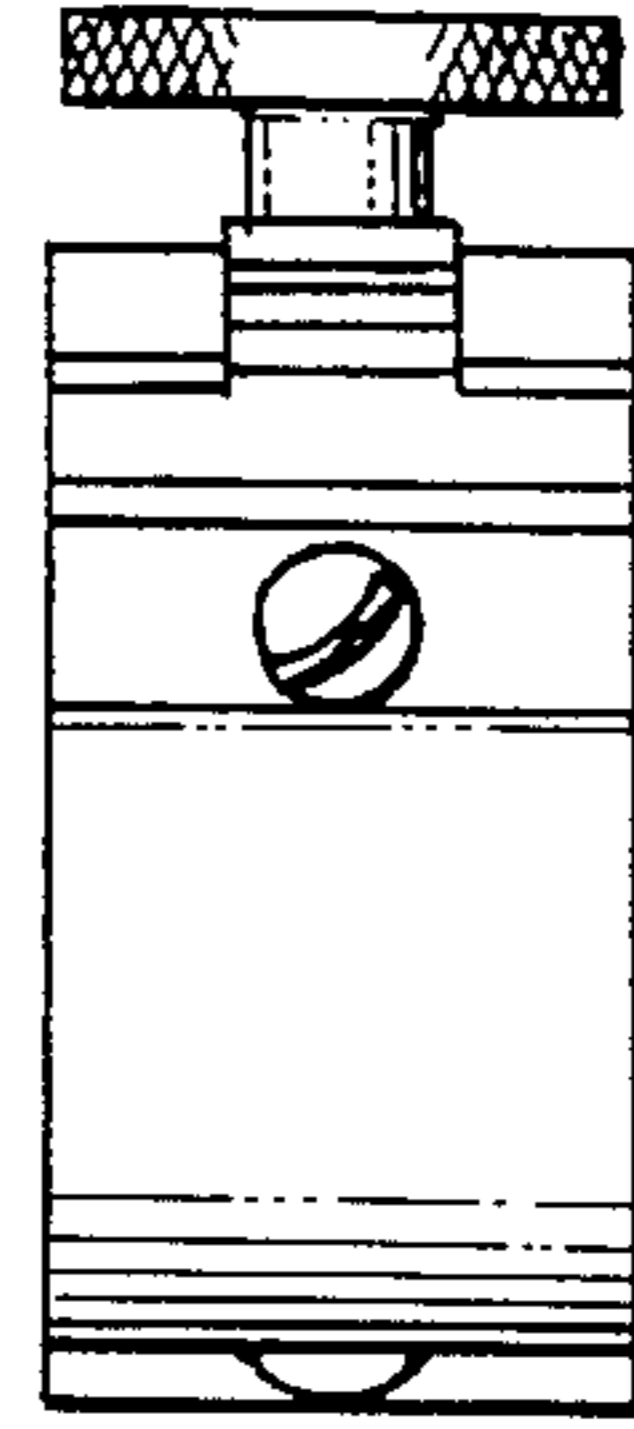
DESCRIPTION

FIG. 1 is a perspective view of a ski clamp showing my new design, the portion of a rail being shown in broken lines for illustrative purposes only.  
FIG. 2 is a top plan view thereof;  
FIG. 3 is a side elevational view taken from the right of FIG. 1 in lieu thereof;  
FIG. 4 is a rear elevational view thereof;  
FIG. 5 is a side elevational view taken from the right of FIG. 1 in lieu thereof;  
FIG. 6 is a bottom plan view thereof.

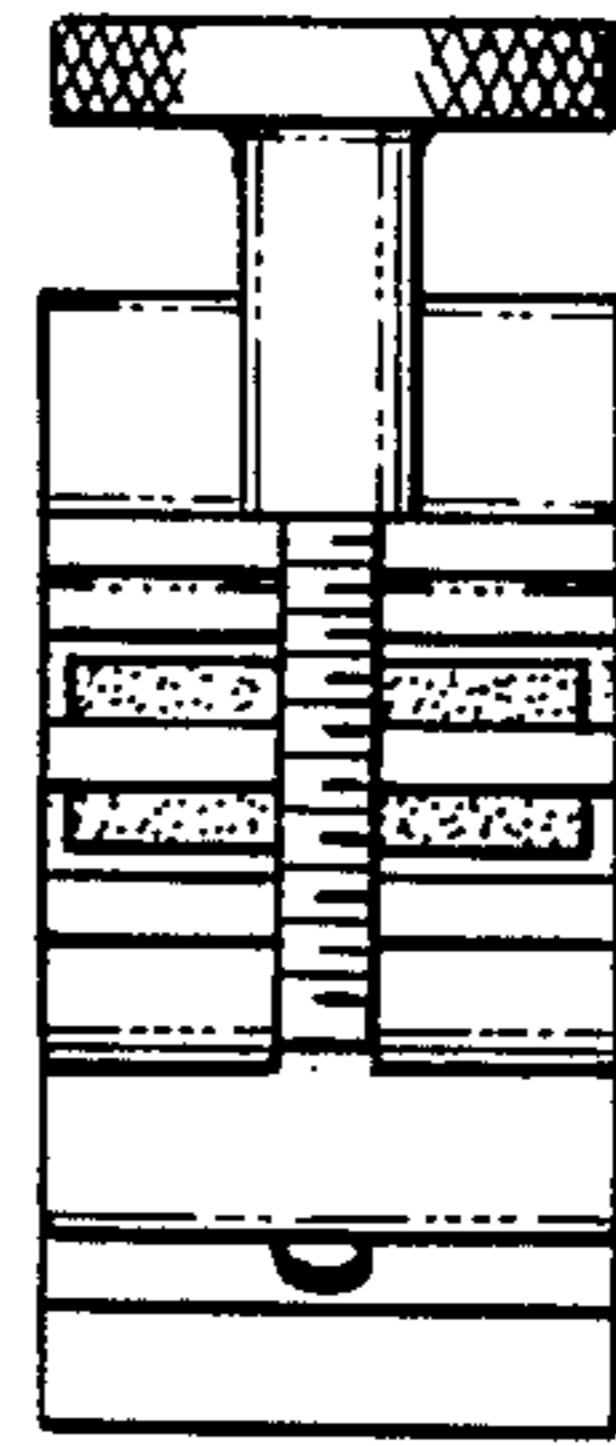




*Fig. 1*

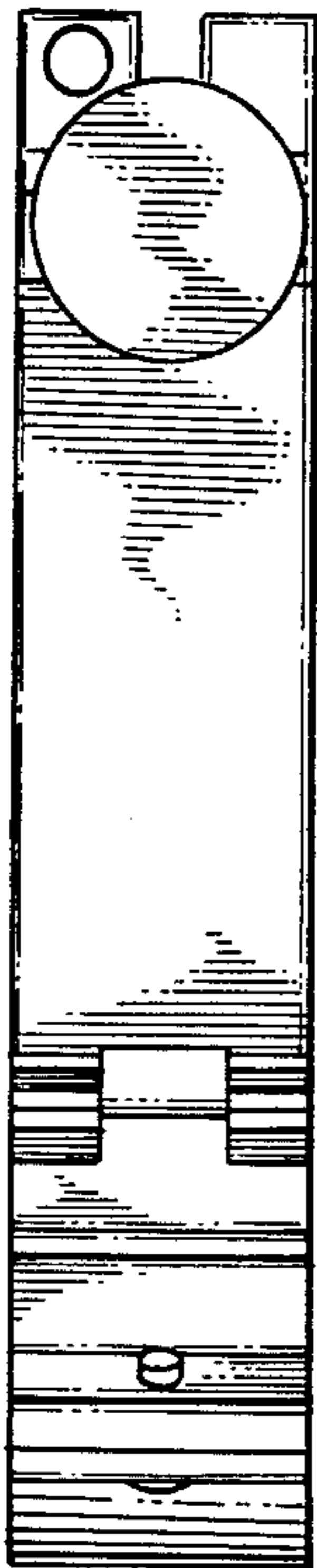


*Fig. 6*

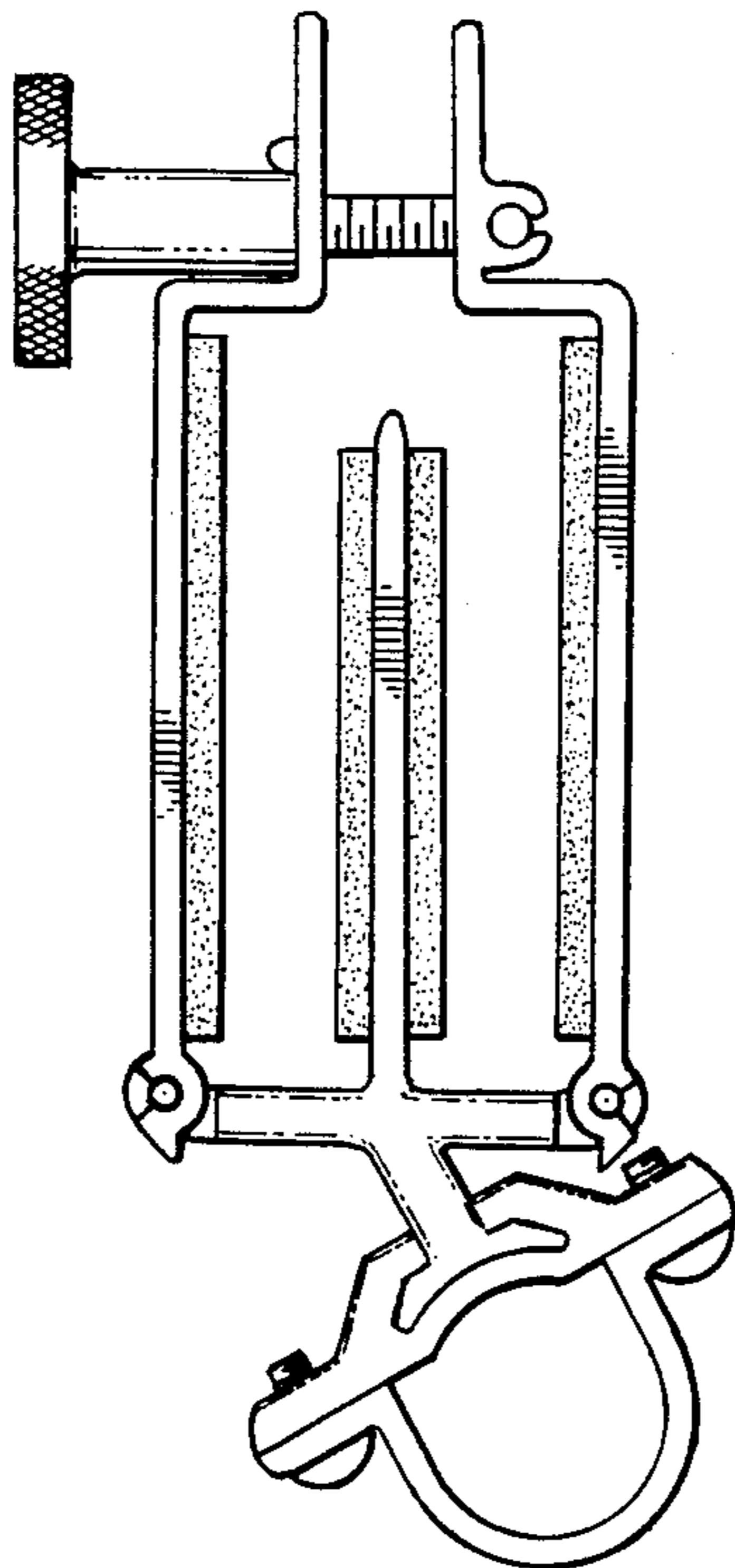


*Fig. 2*

*Fig. 3*



*Fig. 4*



*Fig. 5*

