

[54] CUP DISPENSER

[76] Inventor: Jerry A. Brown, 4014 San Jose Drive, Greenwood, Ind. 46142

[\*\*] Term: 14 Years

[21] Appl. No.: 712,243

[22] Filed: Aug. 6, 1976

[51] Int. Cl. ....: D6-04; D9-99

[52] U.S. Cl. .... D6/25

[58] Field of Search ..... D6/20, 25, 85, 114, D6/115, 125, 130, 132, 134, 135, 136, 186, 188, 189; 211/49 D; 312/42, 43; 221/92, 282, 285

[56] References Cited

U.S. PATENT DOCUMENTS

1,365,516	1/1921	Luellen	221/282
3,118,565	1/1964	Chappory	221/92
D. 122,110	8/1940	Balton	D6/115

D. 218,637	9/1970	Sims	D6/115
D. 233,120	10/1974	Dawson	D6/115

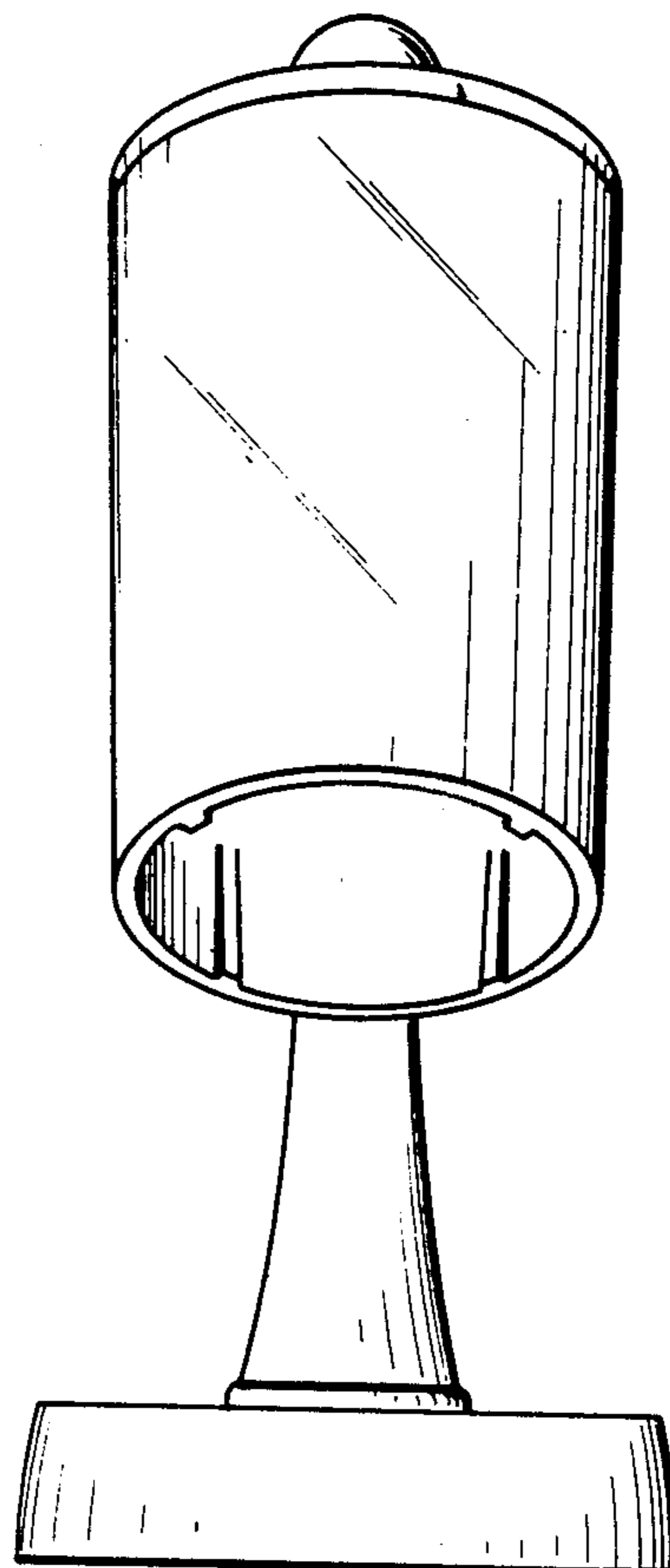
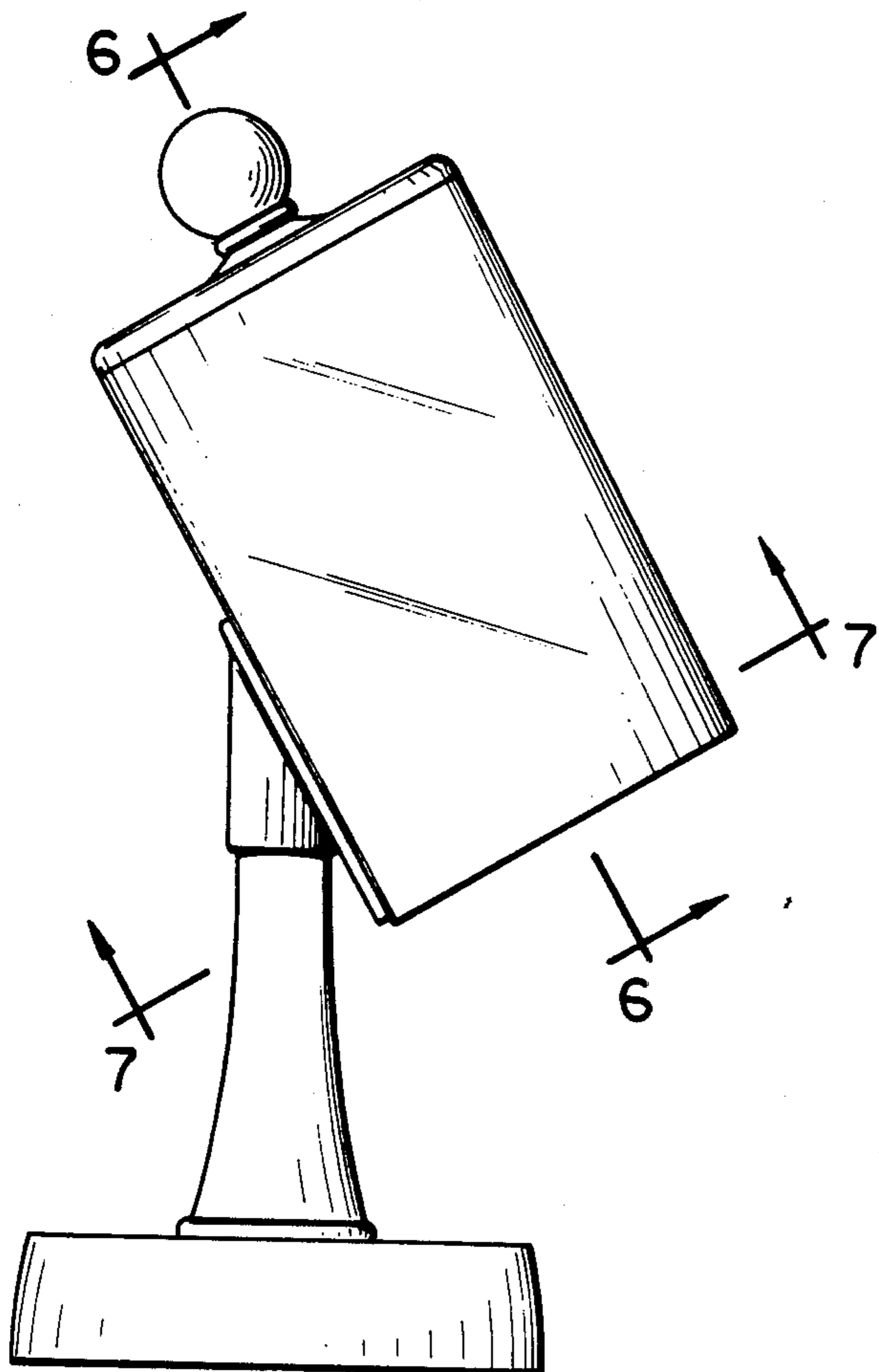
Primary Examiner—Wallace R. Burke  
Assistant Examiner—B. J. Bullock  
Attorney, Agent, or Firm—Harold R. Woodard

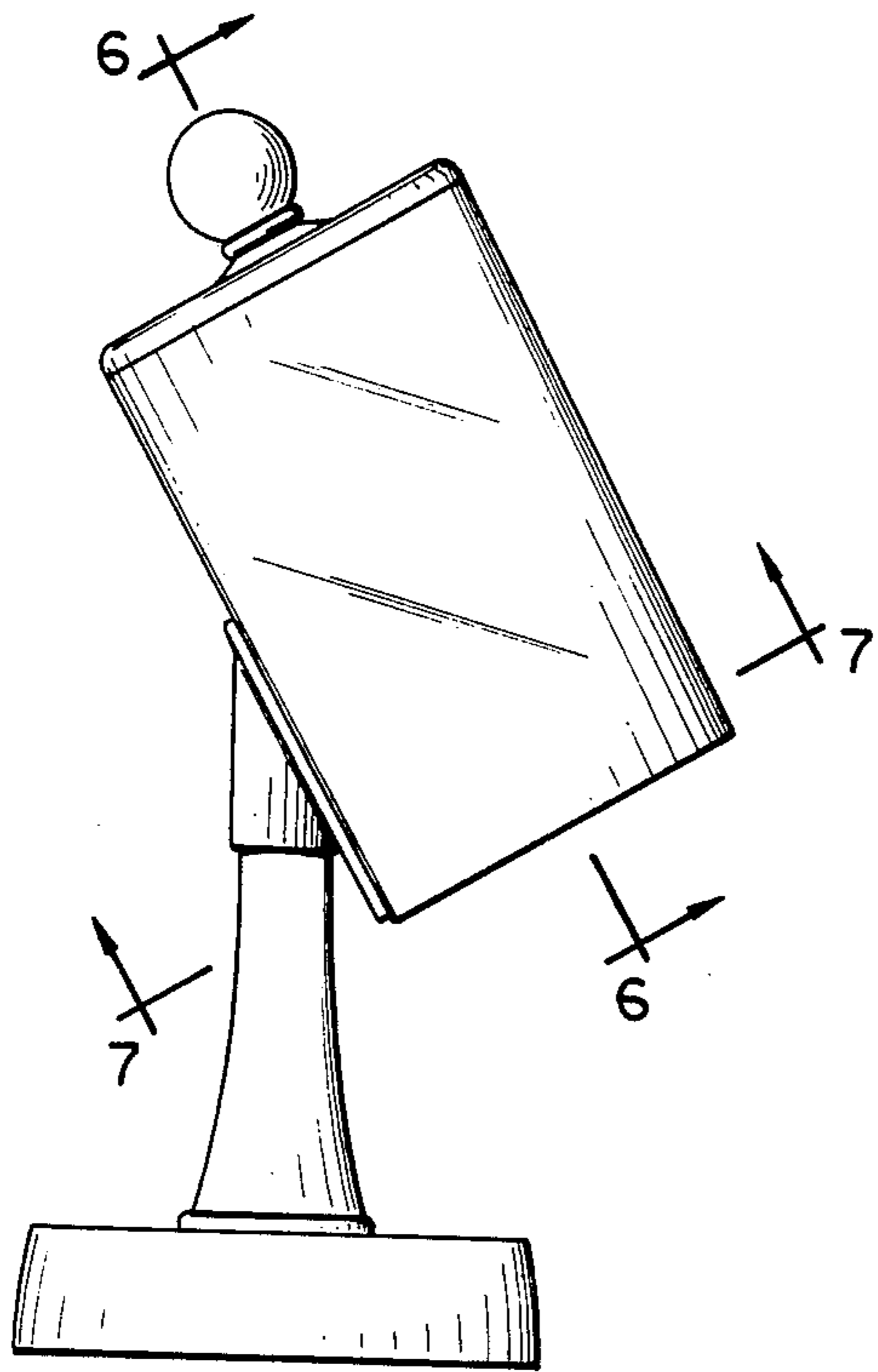
[57] CLAIM

The ornamental design for a cup dispenser, as shown and described.

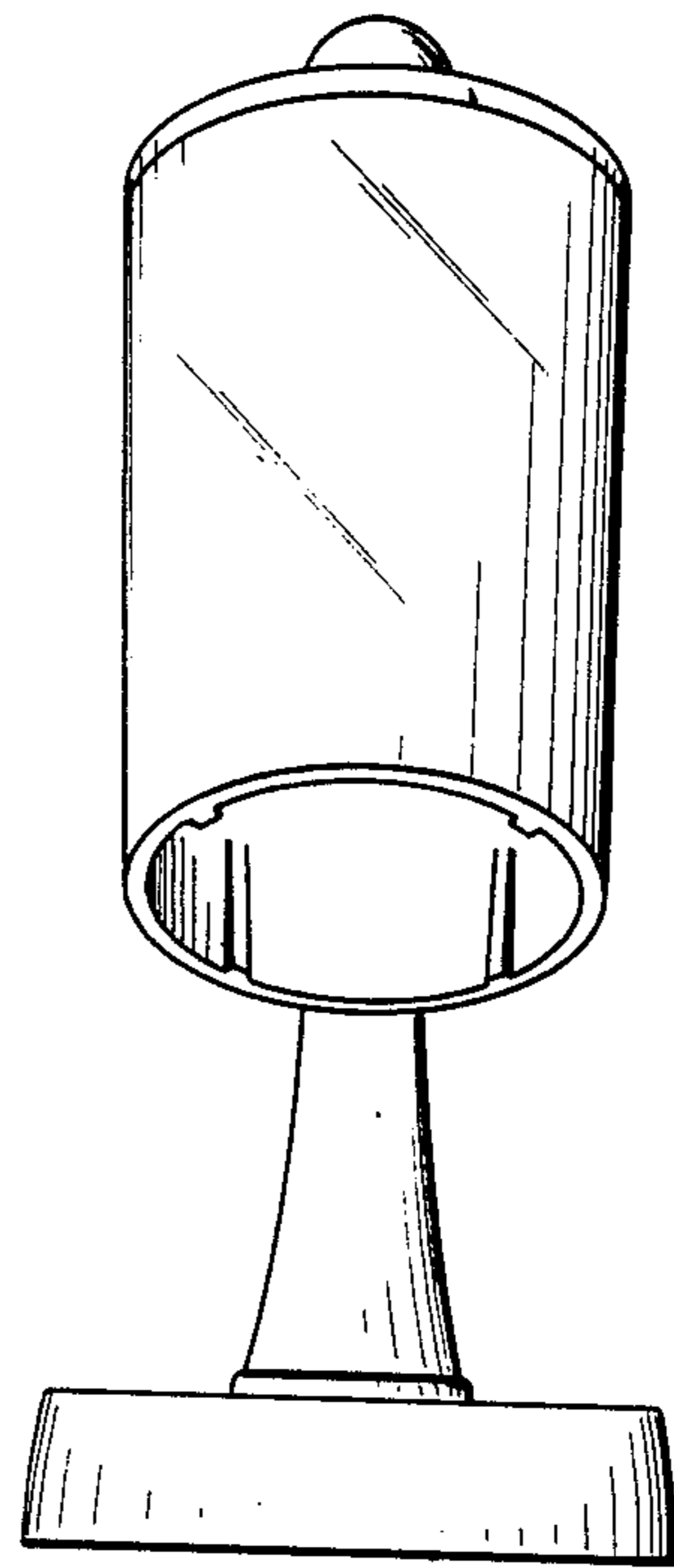
DESCRIPTION

FIG. 1 is a side elevational view of a cup dispenser showing my new design;  
FIG. 2 is a front elevational view thereof;  
FIG. 3 is a rear elevational view thereof;  
FIG. 4 is a top plan view thereof;  
FIG. 5 is a bottom plan view thereof;  
FIG. 6 is a sectional view taken on line 6-6 of FIG. 1;  
FIG. 7 is a sectional view taken on line 7-7 of FIG. 1 with the lid removed for convenience of illustration.

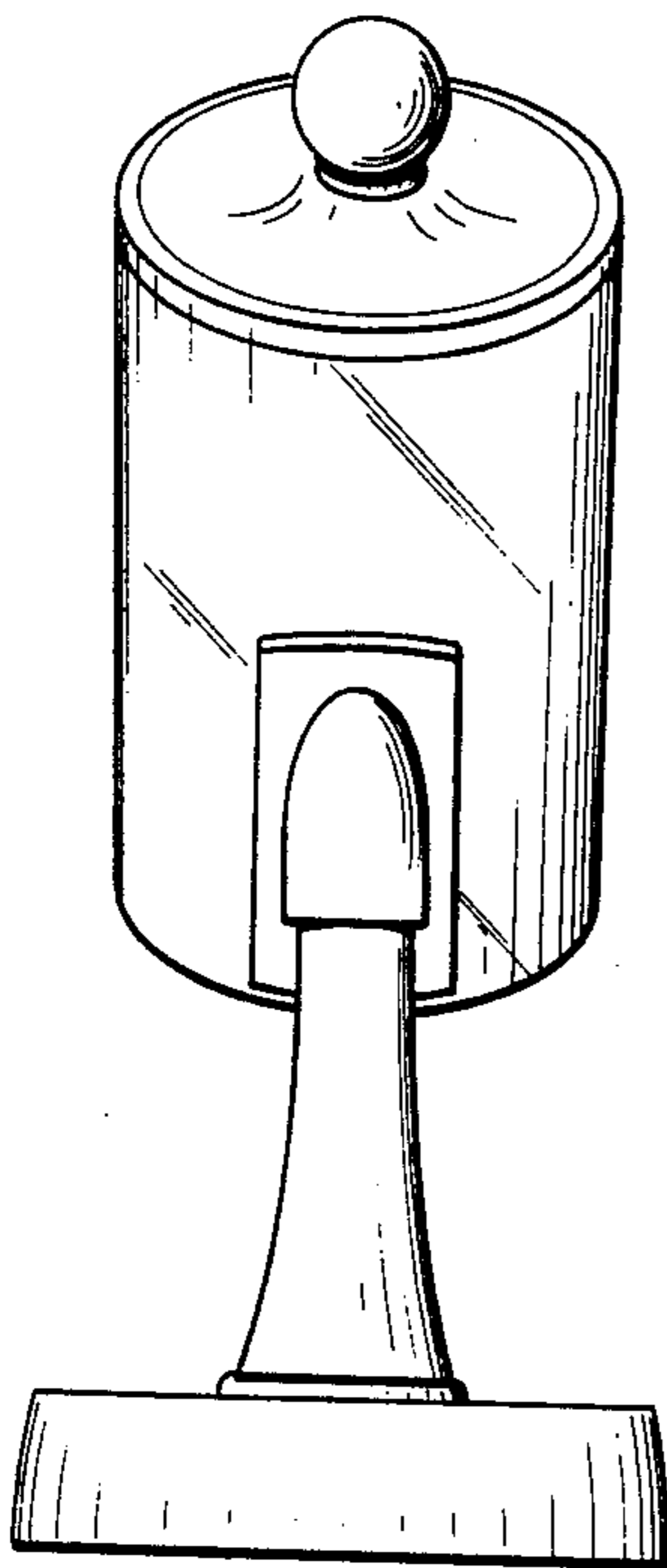




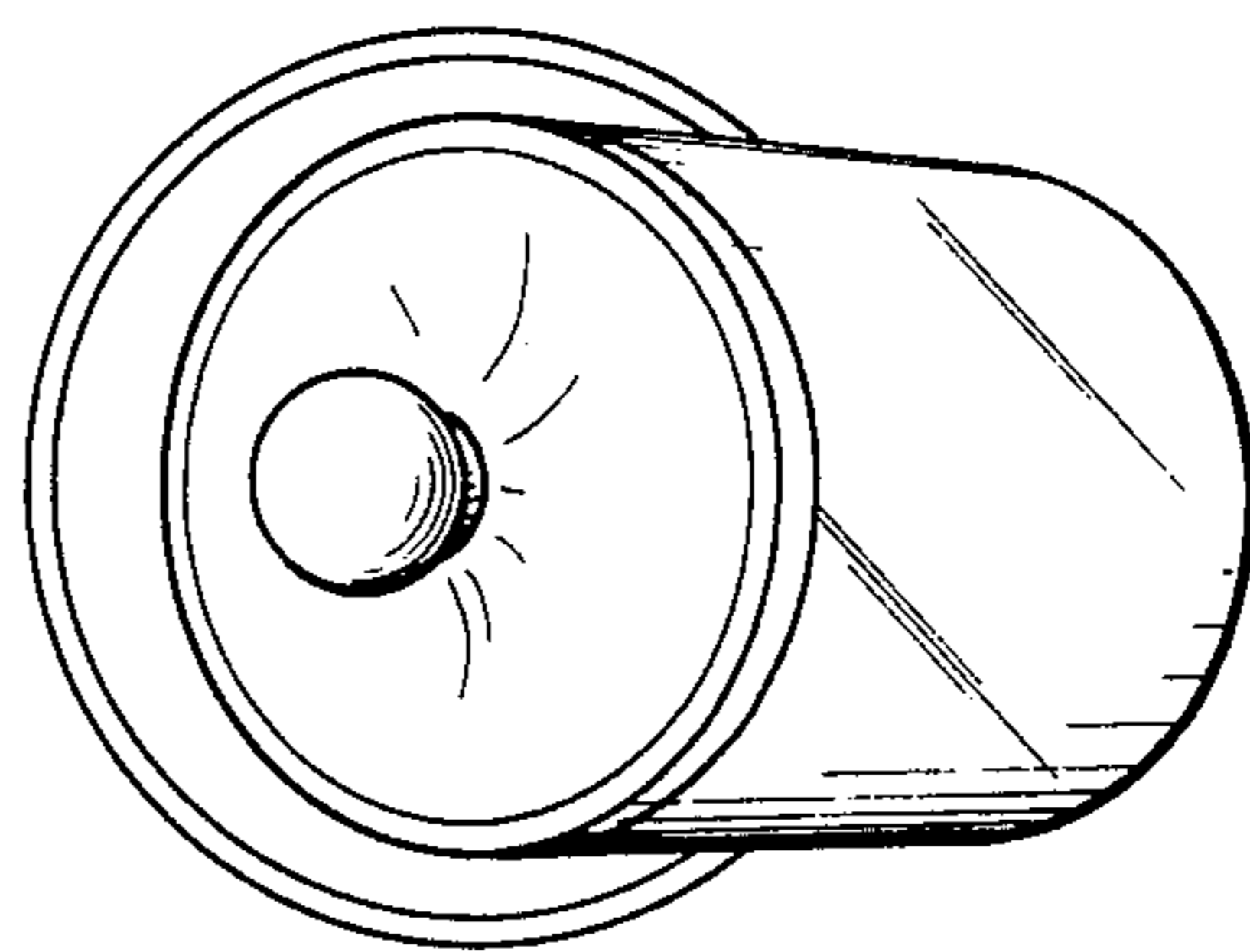
*Fig. 1*



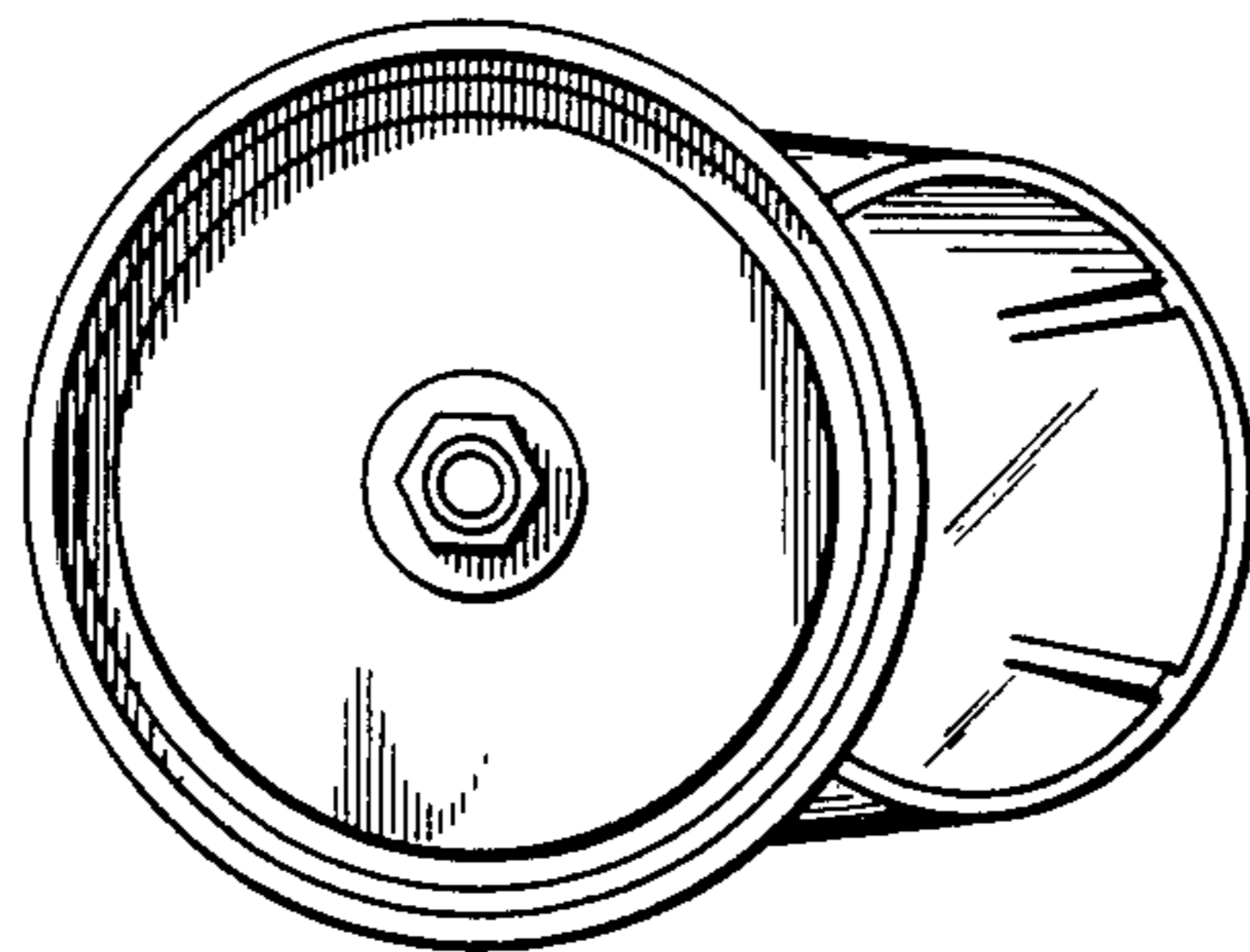
*Fig. 2*



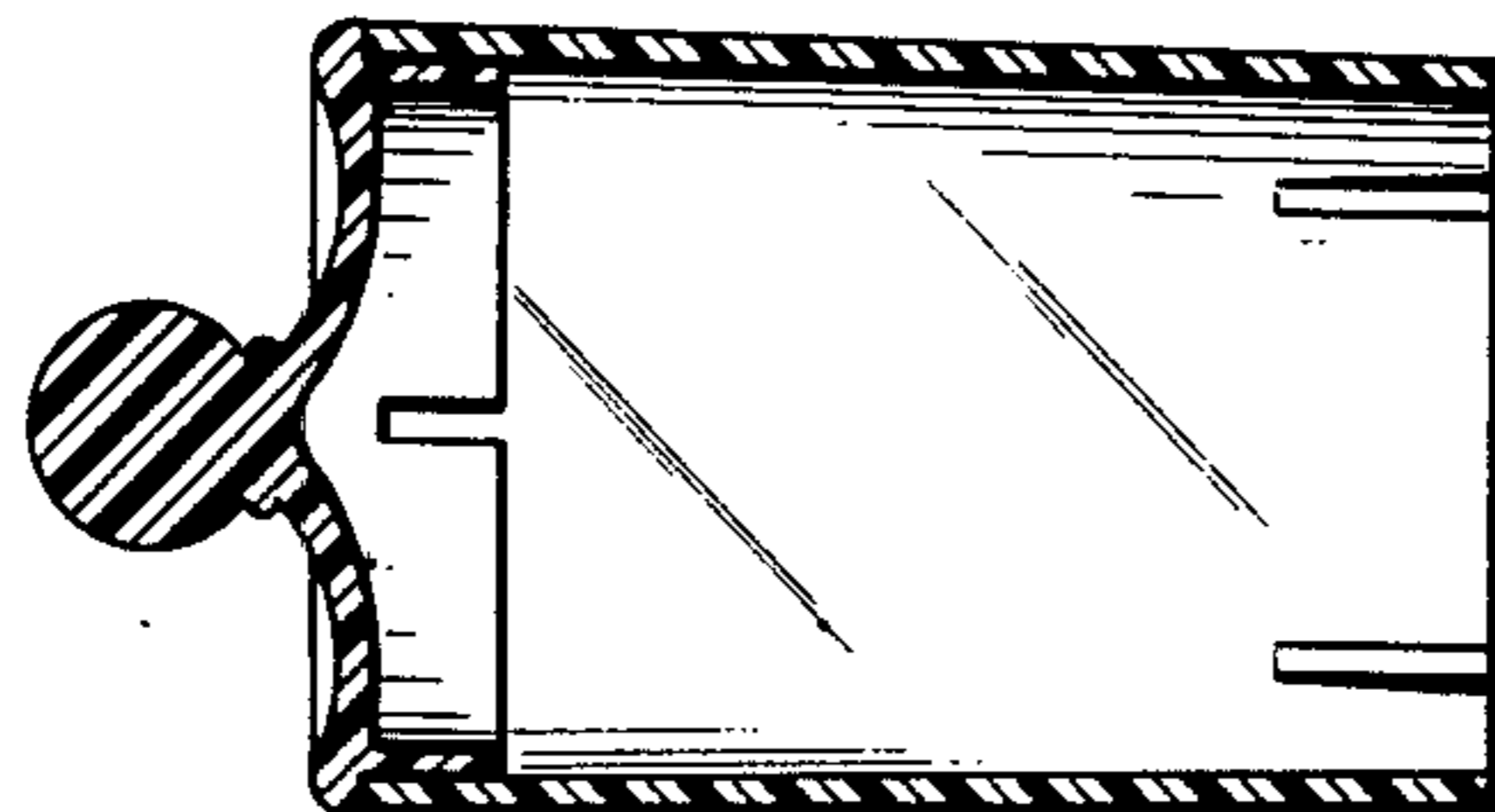
*Fig. 3*



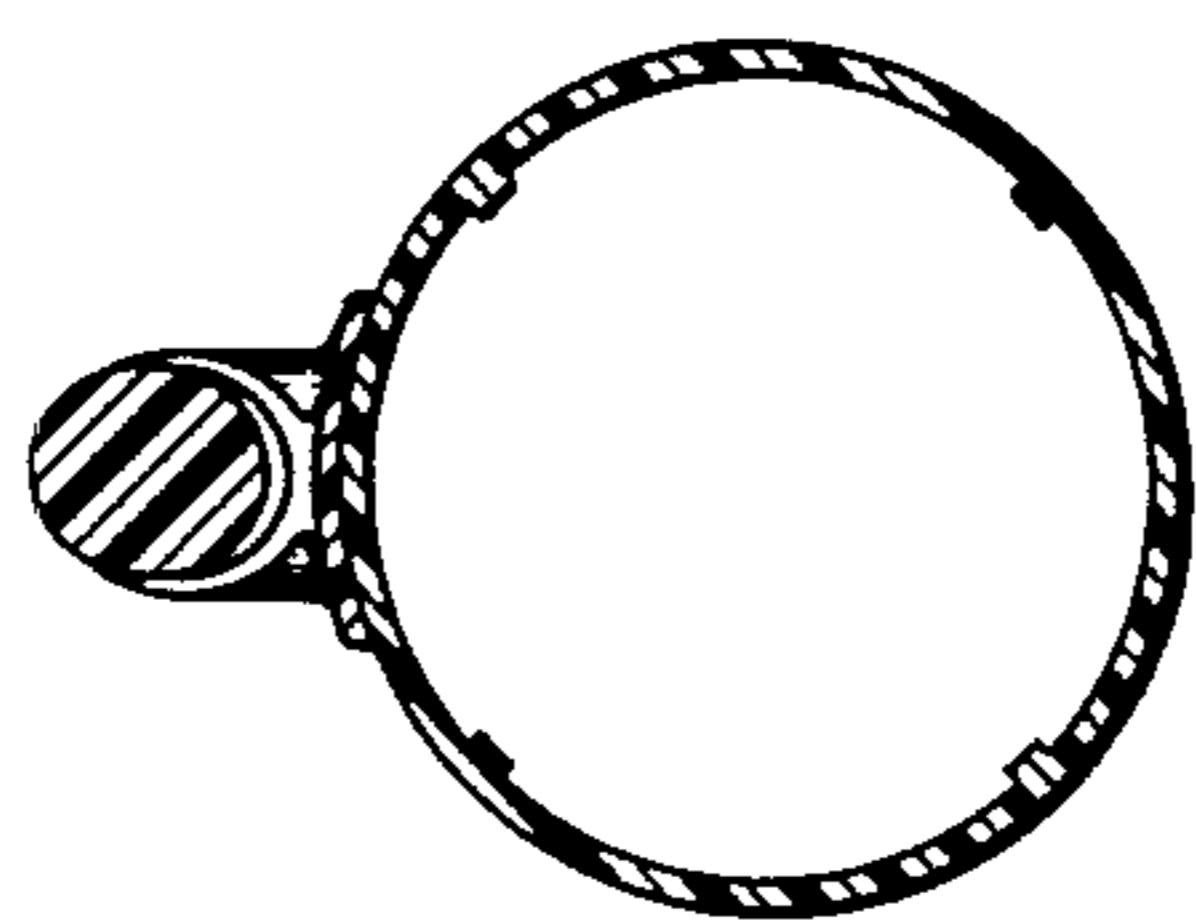
*Fig. 4*



*Fig. 5*



*Fig. 6*



*Fig. 7*