

[54] BATHING POOL

[75] Inventor: Merle C. Melcior, Los Angeles, Calif.

[73] Assignee: Hydro-Spa, Inc., Encino, Calif.

[**] Term: 14 Years

[21] Appl. No.: 660,769

[22] Filed: Feb. 23, 1976

Related U.S. Application Data

[62] Division of Ser. No. 434,433, Jan. 18, 1974, Pat. No. Des. 240,084.

[51] Int. Cl. D23-02

[52] U.S. Cl. D24/38

[58] Field of Search D25/2; D4/172, 172.14, D4/122; D83/16, 15, 172.19; 128/66; D34/5 F; D23/55, 56

[56] References Cited

U.S. PATENT DOCUMENTS

3,317,925	5/1967	Vance	4/172
3,668,715	6/1972	Chase	4/172
3,952,338	4/1976	Troxclair	4/172.19 X

Primary Examiner—A. Hugo Word
Attorney, Agent, or Firm—John B. Young

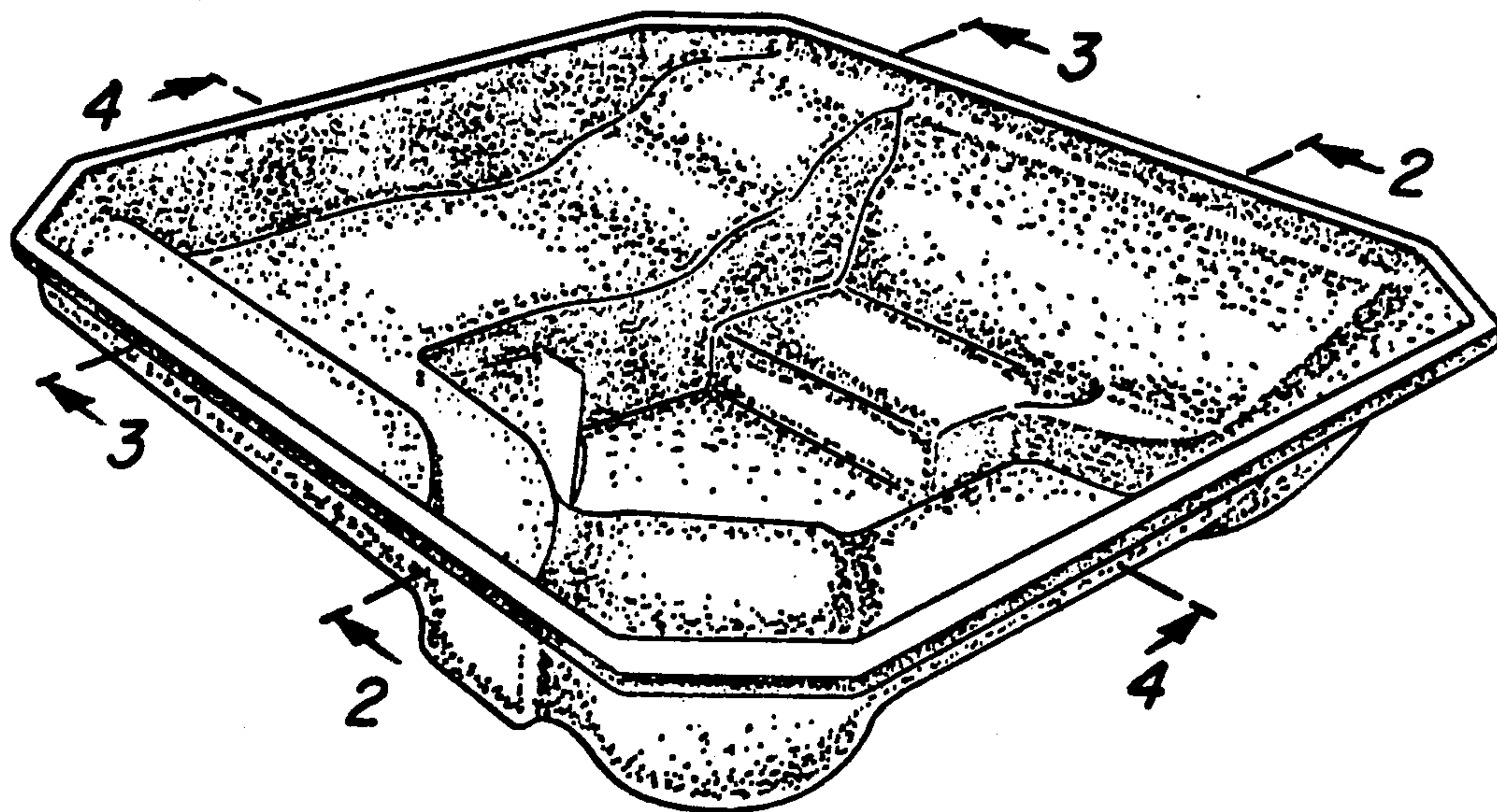
[57] CLAIM

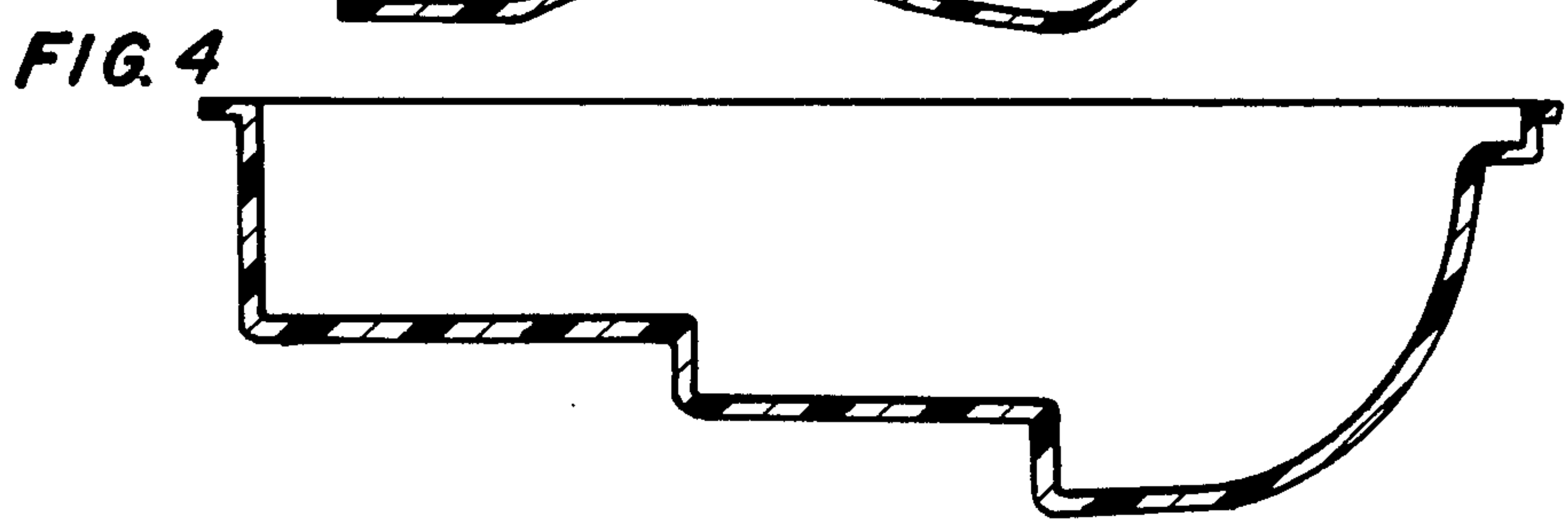
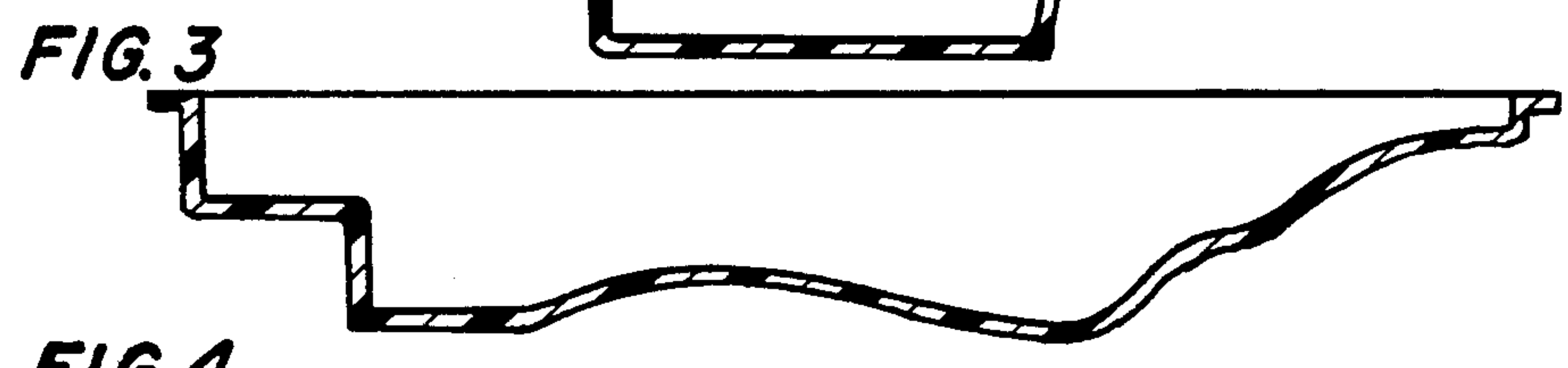
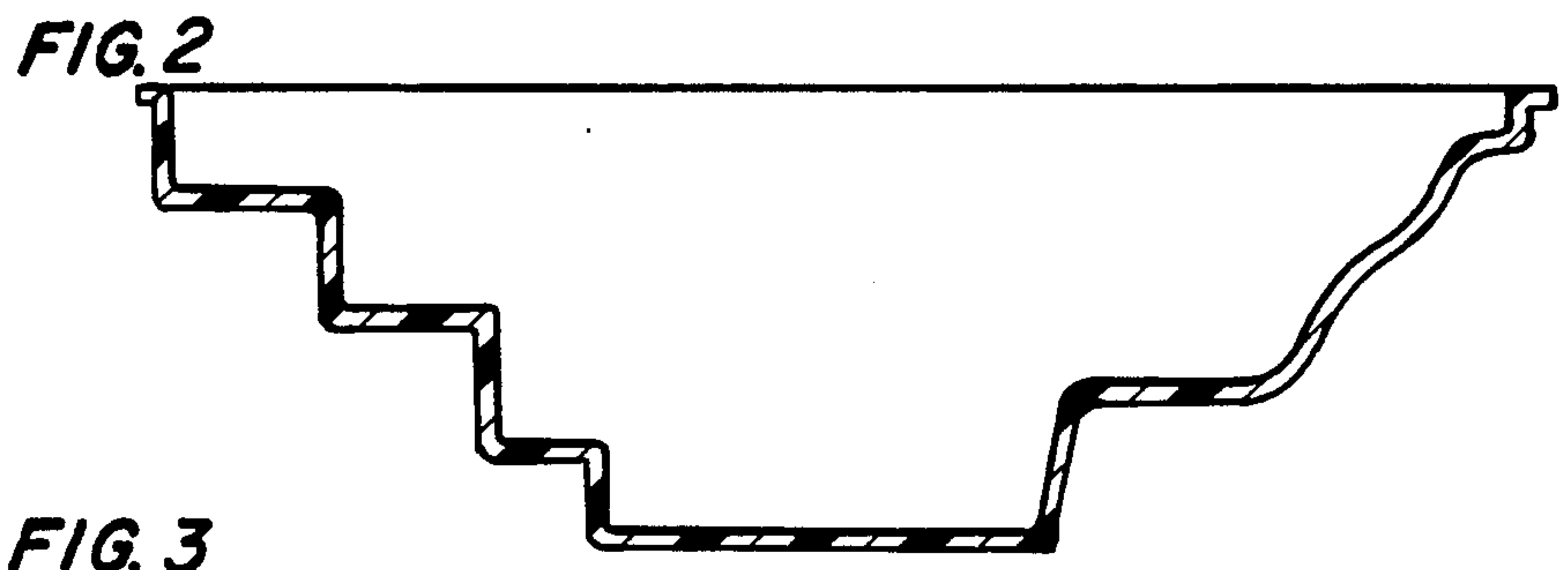
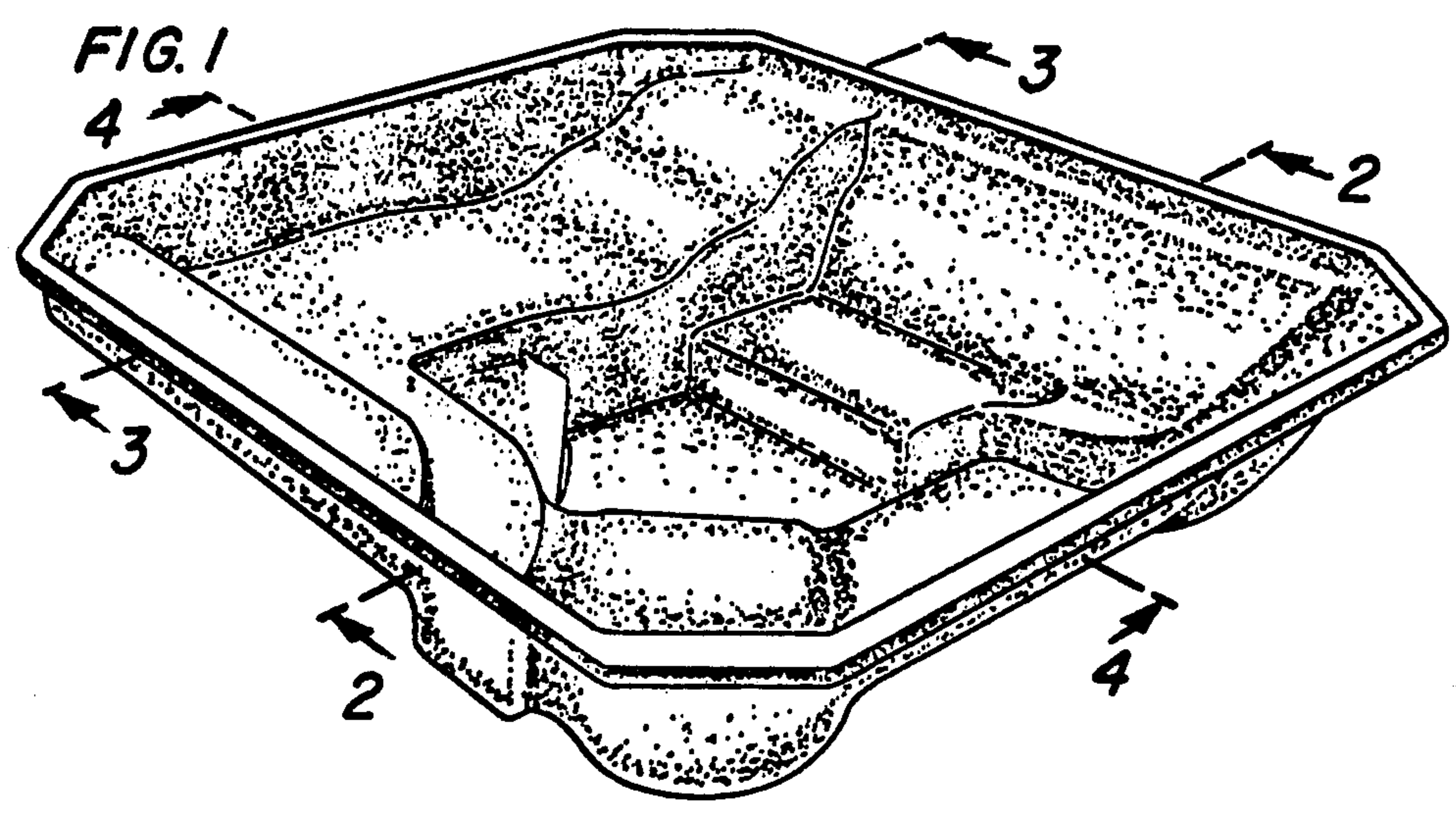
The ornamental design for a bathing pool, as shown.

DESCRIPTION

FIG. 1 is a perspective view of the bathing pool showing the new design.

FIGS. 2, 3 and 4 are profile views thereof taken in the planes 2-2, 3-3 and 4-4 respectively of FIG. 1.





UNITED STATES PATENT OFFICE
CERTIFICATE OF CORRECTION

Patent No. DES. No. 245,542 Dated August 23, 1977

Inventor(s) Merle C. Melchior

It is certified that error appears in the above-identified patent and that said Letters Patent are hereby corrected as shown below:

Inventor's name should read -- Merle C. Melchior --.

Signed and Sealed this

Thirteenth Day of December 1977

[SEAL]

Attest:

RUTH C. MASON
Attesting Officer

LUTRELLE F. PARKER
Acting Commissioner of Patents and Trademarks