

[54] NEBULIZER-HUMIDIFIER BAG ASSEMBLY

[75] Inventor: Joseph W. Lindsey, Salt Lake City, Utah

[73] Assignee: Arbrook, Inc., Arlington, Tex.

[**] Term: 14 Years

[21] Appl. No.: 635,511

[22] Filed: Nov. 26, 1975

[51] Int. Cl. D28—01; D24—02

[52] U.S. Cl. D24/62

[58] Field of Search D83/1 N, 1 V, 1 U;
128/202, 194, 275, DIG. 2, DIG. 24; D9/192

[56]

References Cited

U.S. PATENT DOCUMENTS

3,826,255	7/1974	Havstad	128/194
3,892,235	7/1975	Amerongen et al.	128/DIG. 2
3,998,255	12/1976	Mather et al.	128/275
D. 239,879	5/1976	Komedowski	D83/1 N
D. 242,652	12/1976	Kunkle, Jr.	D83/1 N

Primary Examiner—Bernard Ansher
Attorney, Agent, or Firm—John J. Simkanich

[57]

CLAIM

The ornamental design for a nebulizer-humidifier bag assembly, substantially as shown and described.

DESCRIPTION

FIG. 1 is a front elevation of a nebulizer-humidifier bag assembly showing my new design; FIG. 2 is a right side elevation thereof; FIG. 3 is a rear elevation thereof; FIG. 4 is a top plan view thereof; and FIG. 5 is a bottom plan view thereof.

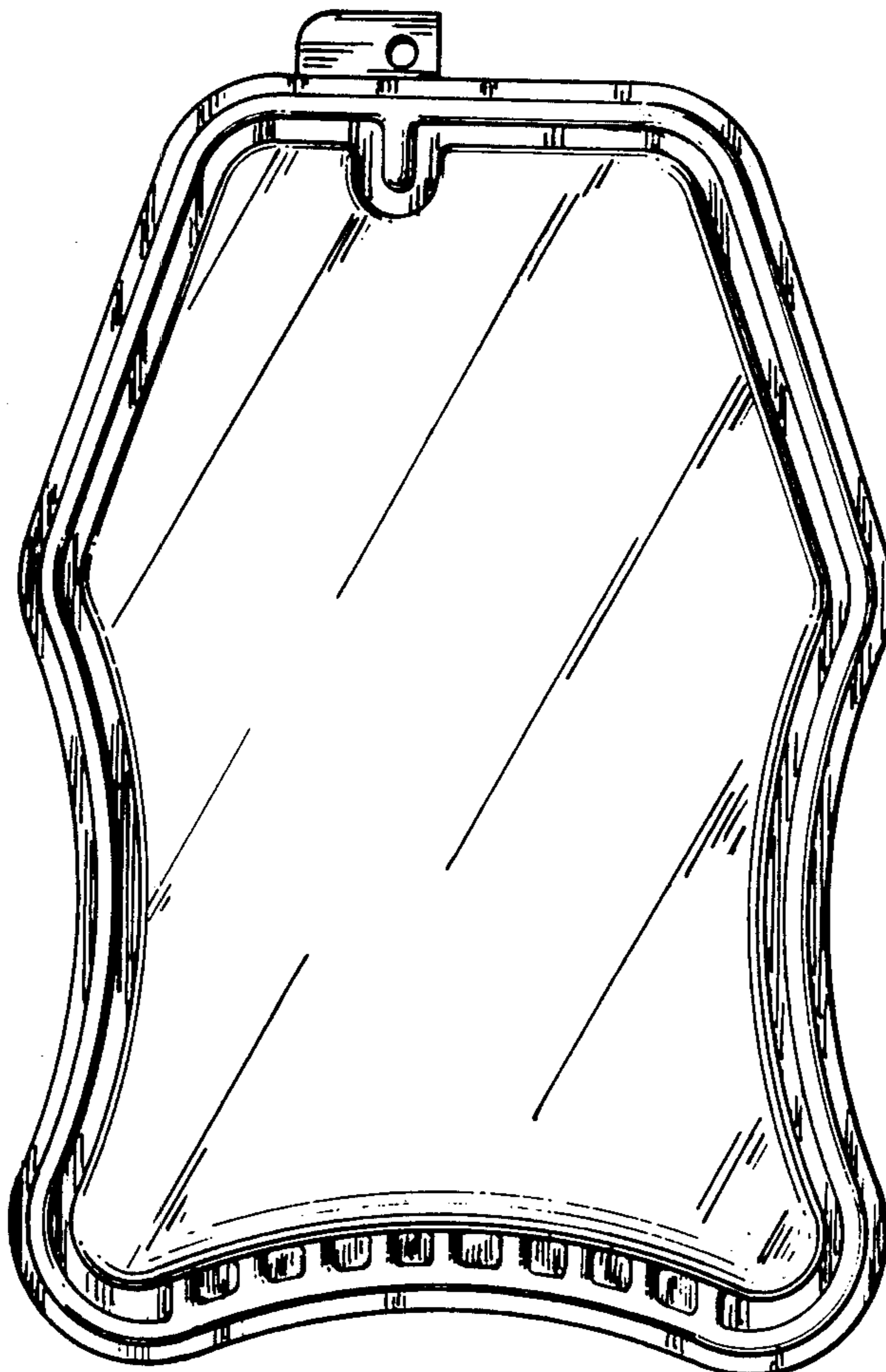


Fig. 3.

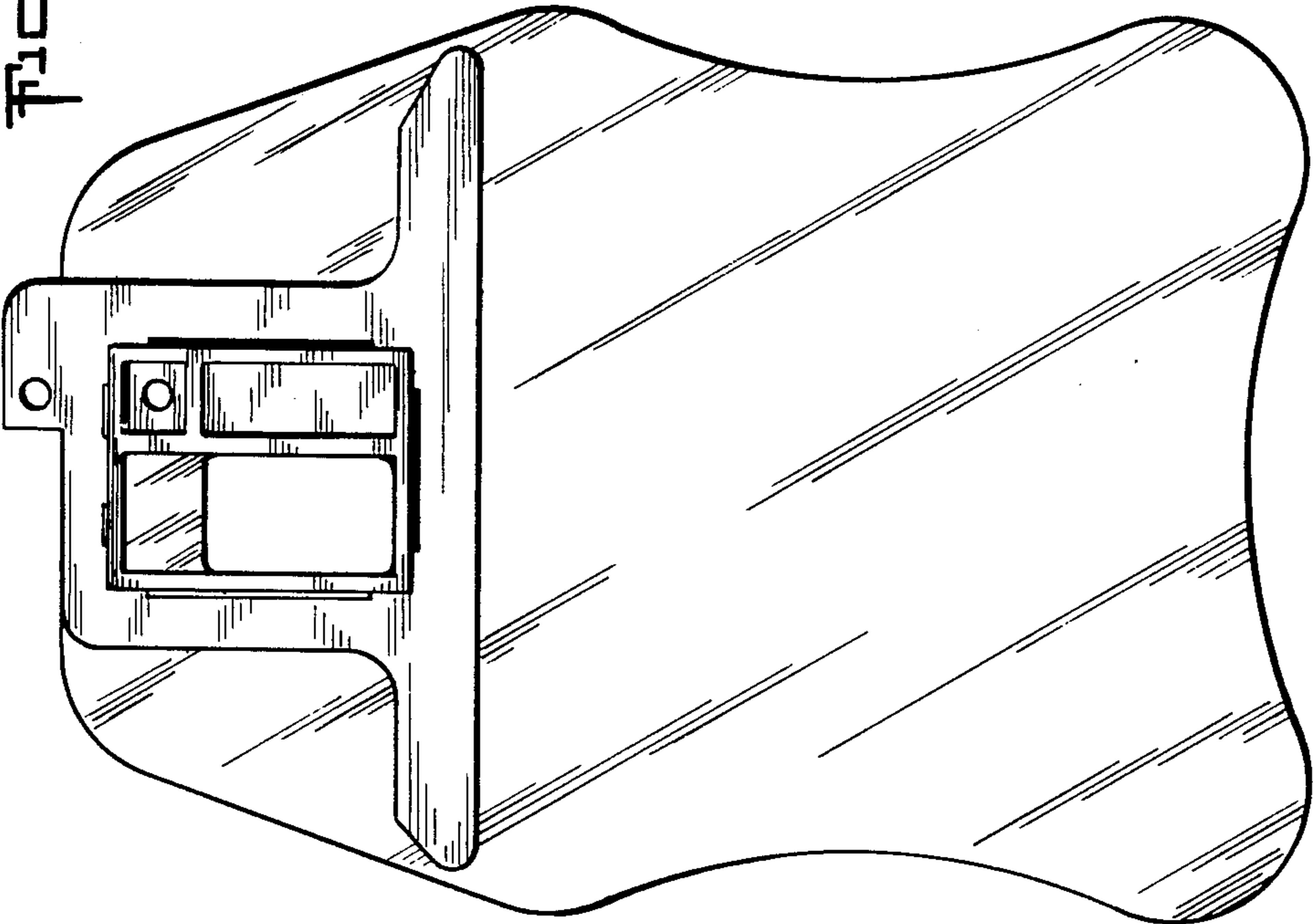


Fig. 5.



Fig. 2.

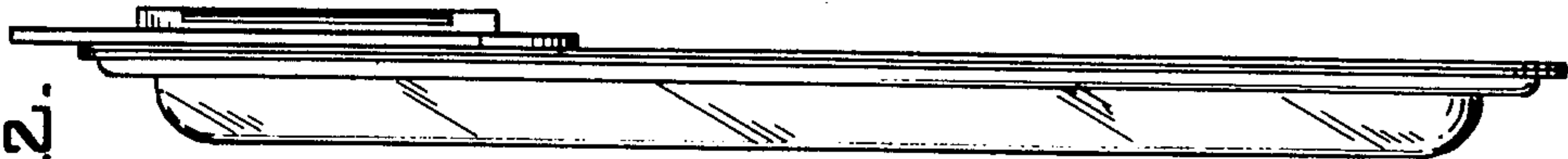


Fig. 1.

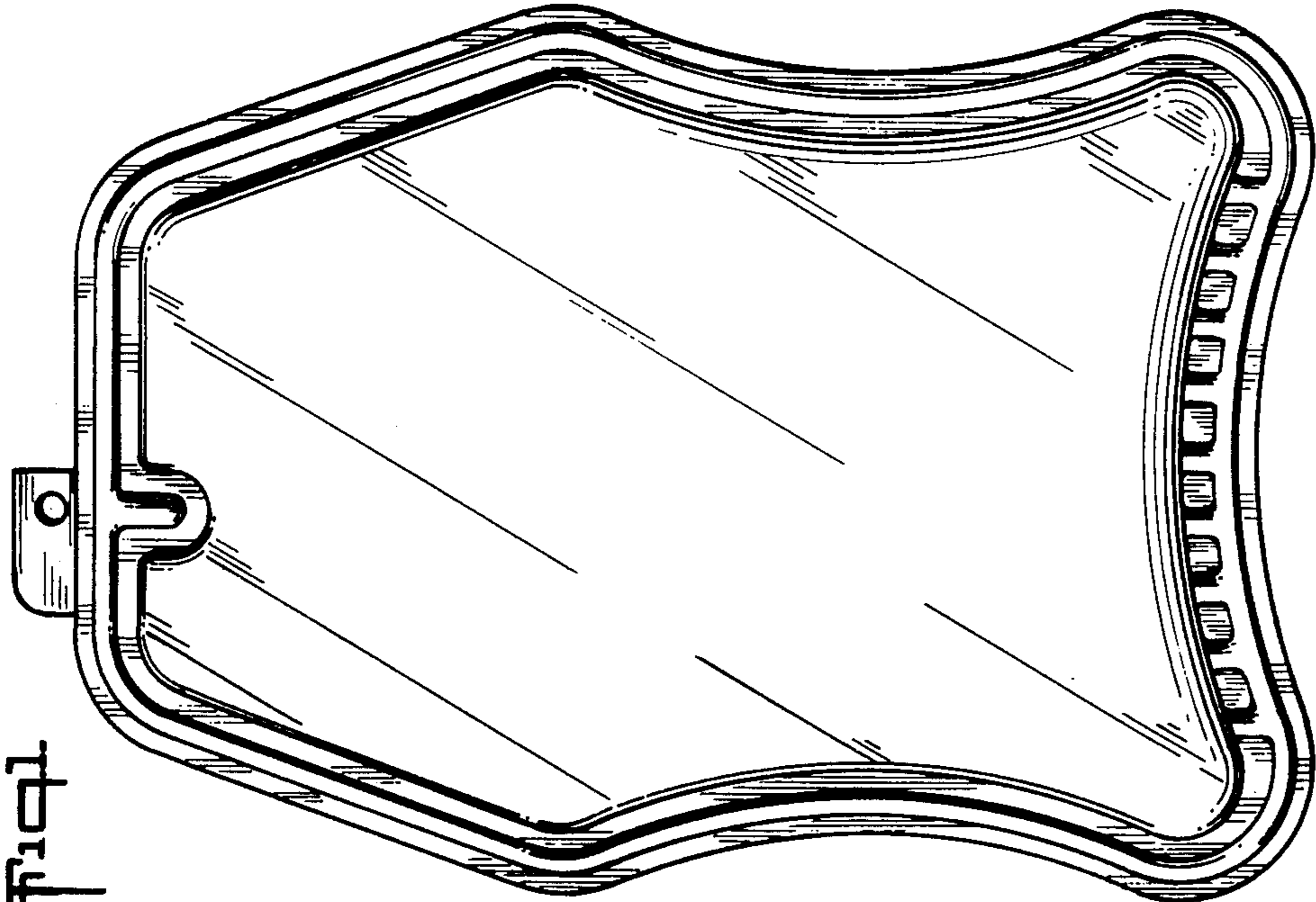


Fig. 4.

