

[54] **STAND FOR A DRAINAGE DEVICE**
[75] Inventors: **Leonard David Kurtz, Woodmere;**
Robert Bidwell, Melville, both of
N.Y.

[73] Assignee: **Deknatel, Inc., New York, N.Y.**

[**] Term: **14 Years**

[21] Appl. No.: **611,422**

[22] Filed: **Sept. 8, 1975**

[51] Int. Cl. **D24-02**

[52] U.S. Cl. **D24/34**

[58] Field of Search 248/175, 95, 97;
211/181, 176; D6/85; D83/1 B

[56] **References Cited**

U.S. PATENT DOCUMENTS

2,959,386 11/1960 Garth 248/95

3,222,019 12/1965 Weisberg 248/97
3,368,783 2/1968 Deutsch 248/176
D. 212,572 10/1968 Bidwell et al. D83/1 B
D. 212,573 10/1968 Bidwell et al. D83/1 B

Primary Examiner—Bernard Ansher
Attorney, Agent, or Firm—Roberts B. Larson

[57] **CLAIM**

The ornamental design for a stand for a drainage device,
as shown and described.

DESCRIPTION

FIG. 1 is a perspective view of a stand for a drainage
device, embodying our new design;
FIG. 2 is a side view of FIG. 1;
FIG. 3 is an end view of FIG. 1;
FIG. 4 is a top plan view of FIG. 1; and
FIG. 5 is a bottom plan view of FIG. 1.
The broken lines are shown for illustrative purposes
only.

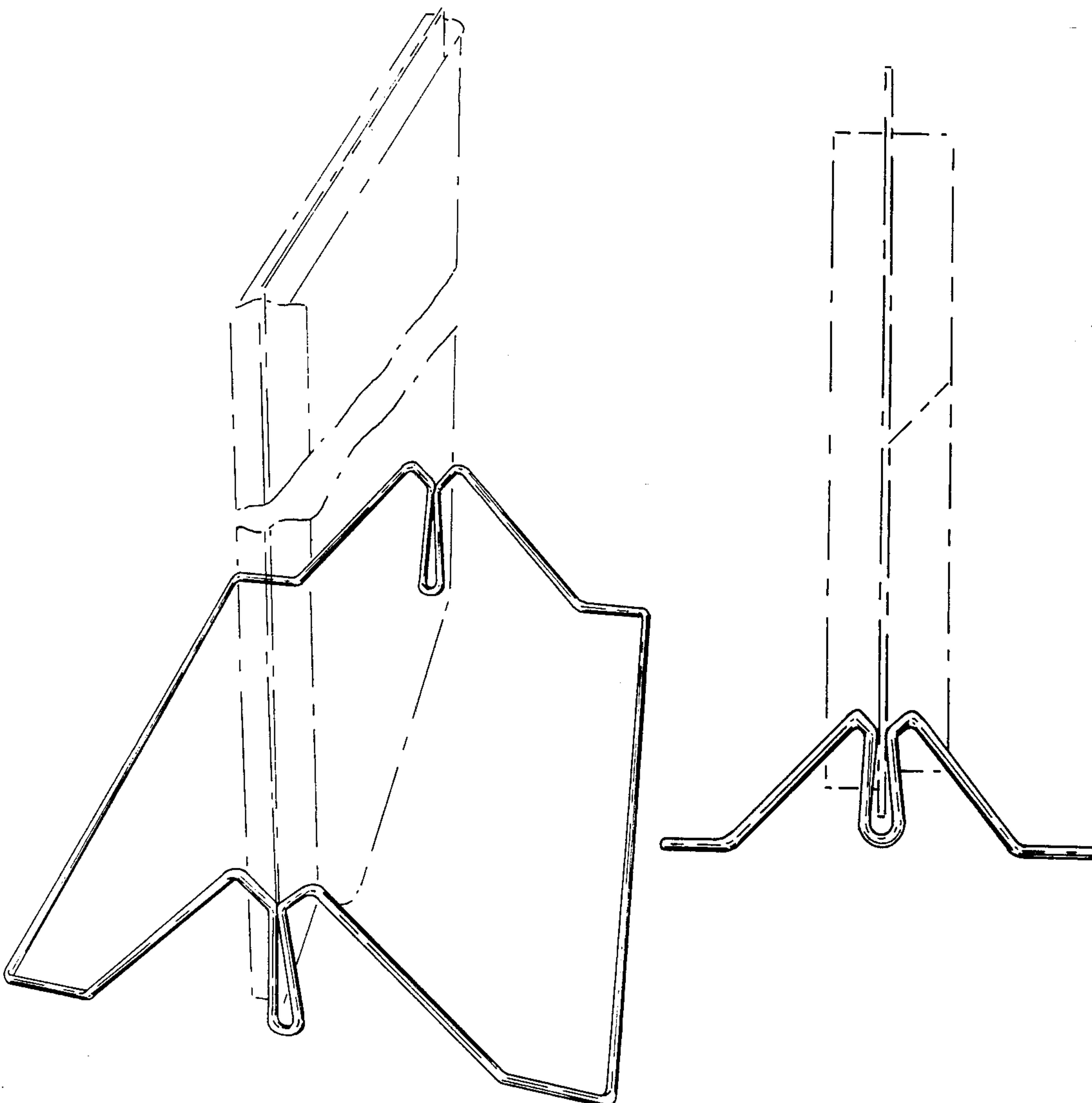
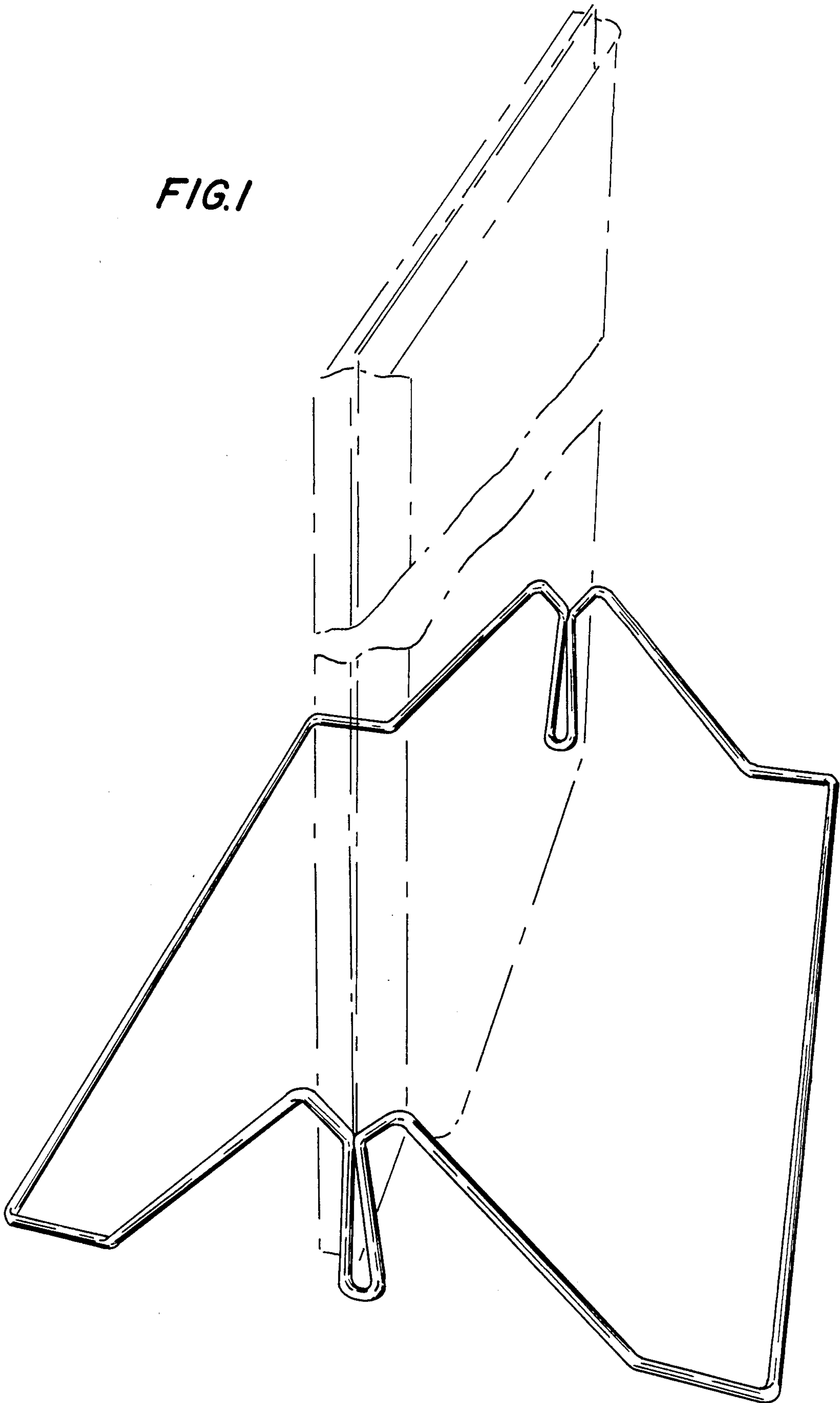


FIG. 1



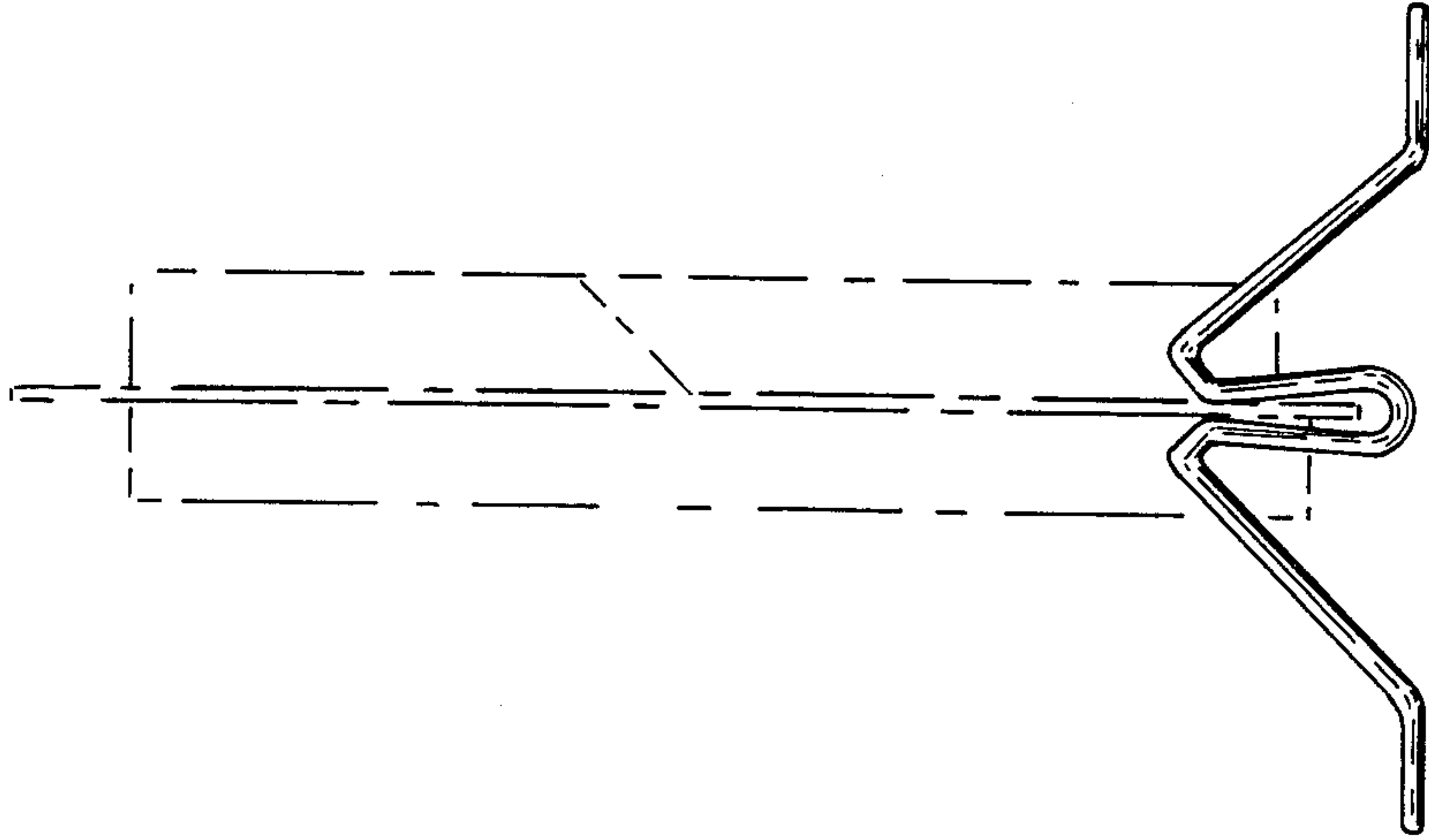


FIG. 3

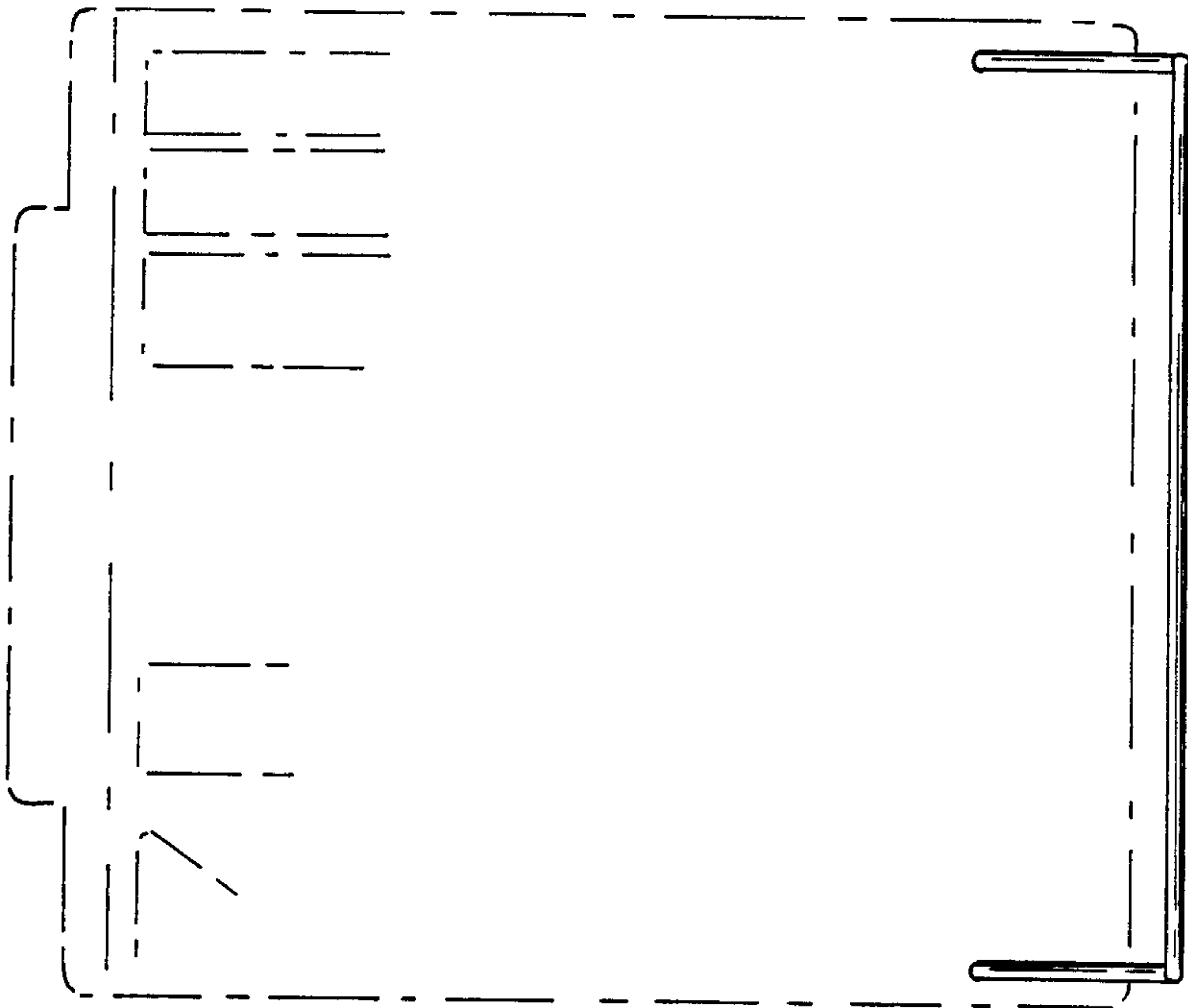


FIG. 2

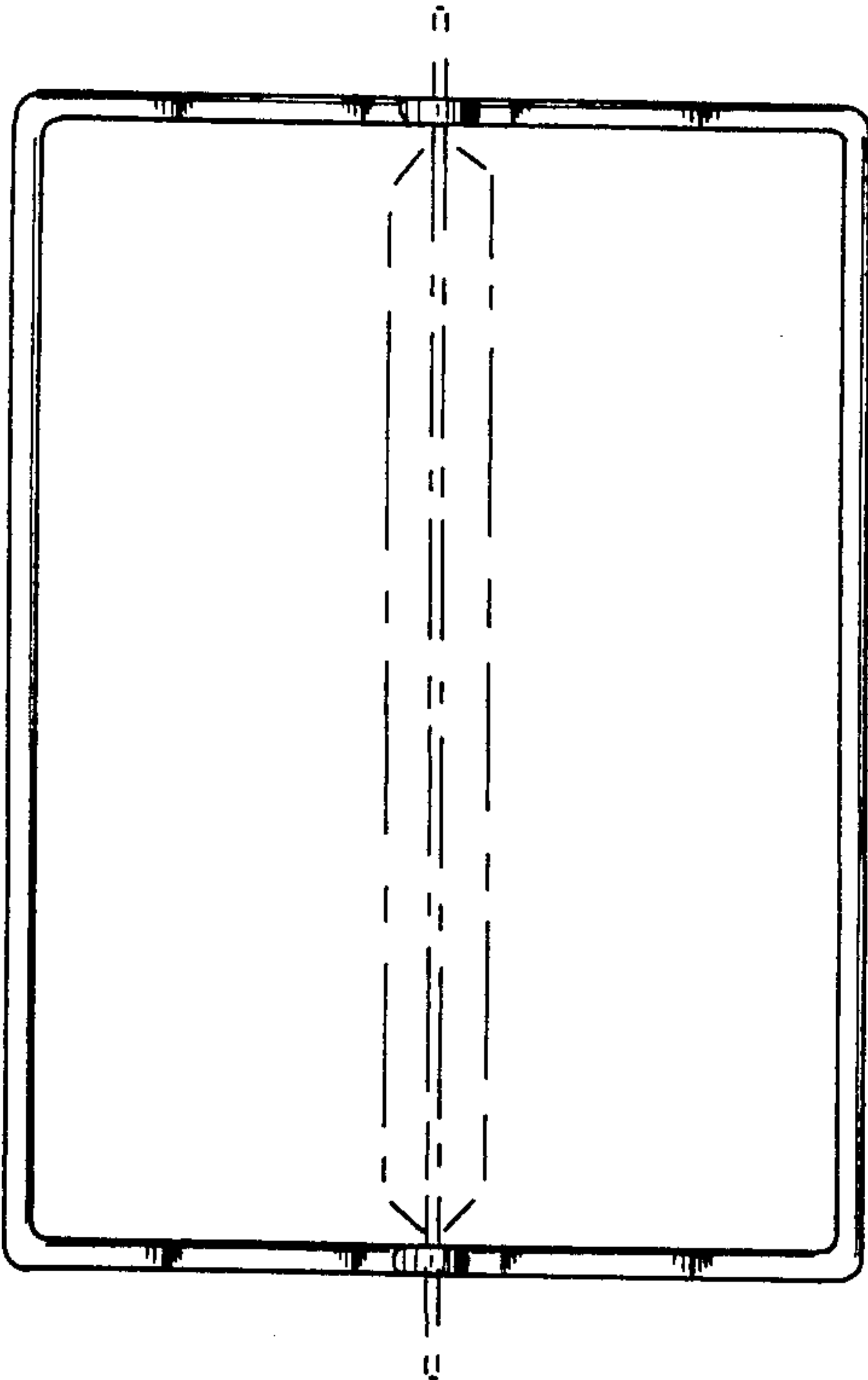


FIG. 5

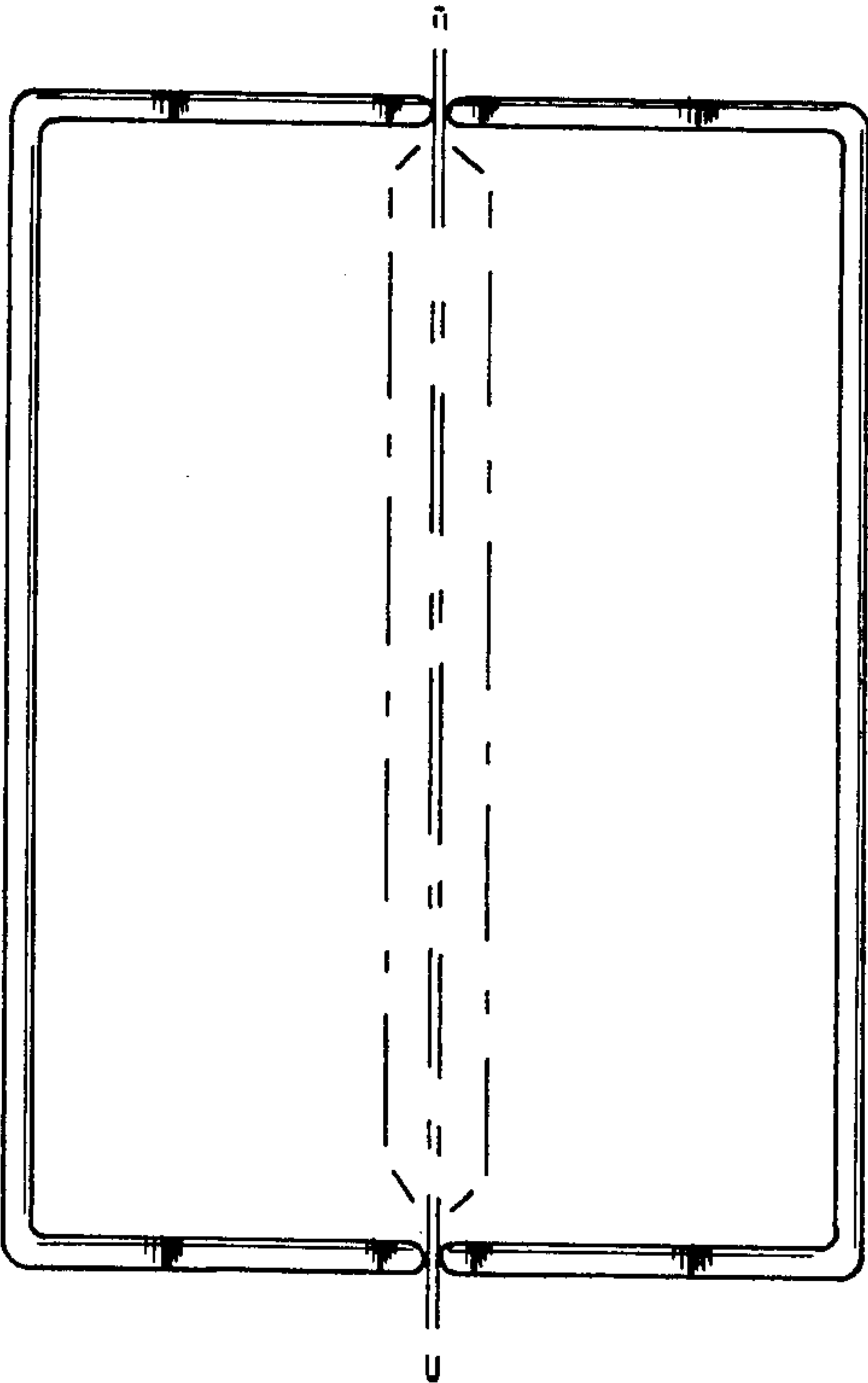


FIG. 4