

[54] LIGHTING BAFFLE

[76] Inventor: Arthur W. Segil, 910 Skokie Blvd., Northbrook, Ill. 60062

[\*\*] Term: 14 Years

[21] Appl. No.: 673,264

[22] Filed: Apr. 2, 1976

[51] Int. Cl. .... D26-05

[52] U.S. Cl. .... D48/16 A

[58] Field of Search ..... D48/16 A, 23 R, 23 A; 240/78 R, 78 CF, 78 LD, 78 LK, 51.11, 9

[56] References Cited

U.S. PATENT DOCUMENTS

2,946,880 7/1960 Picha et al. .... 240/51.11 R

FOREIGN PATENT DOCUMENTS

630,600 12/1961 Italy ..... 240/51.11 R

OTHER PUBLICATIONS

Modern Plastics, Apr. 1947, p. 98, Louvers.

Primary Examiner—Susan J. Lucas

Attorney, Agent, or Firm—Richard C. Lindberg

[57] CLAIM

The ornamental design for a lighting baffle, substantially as shown and described.

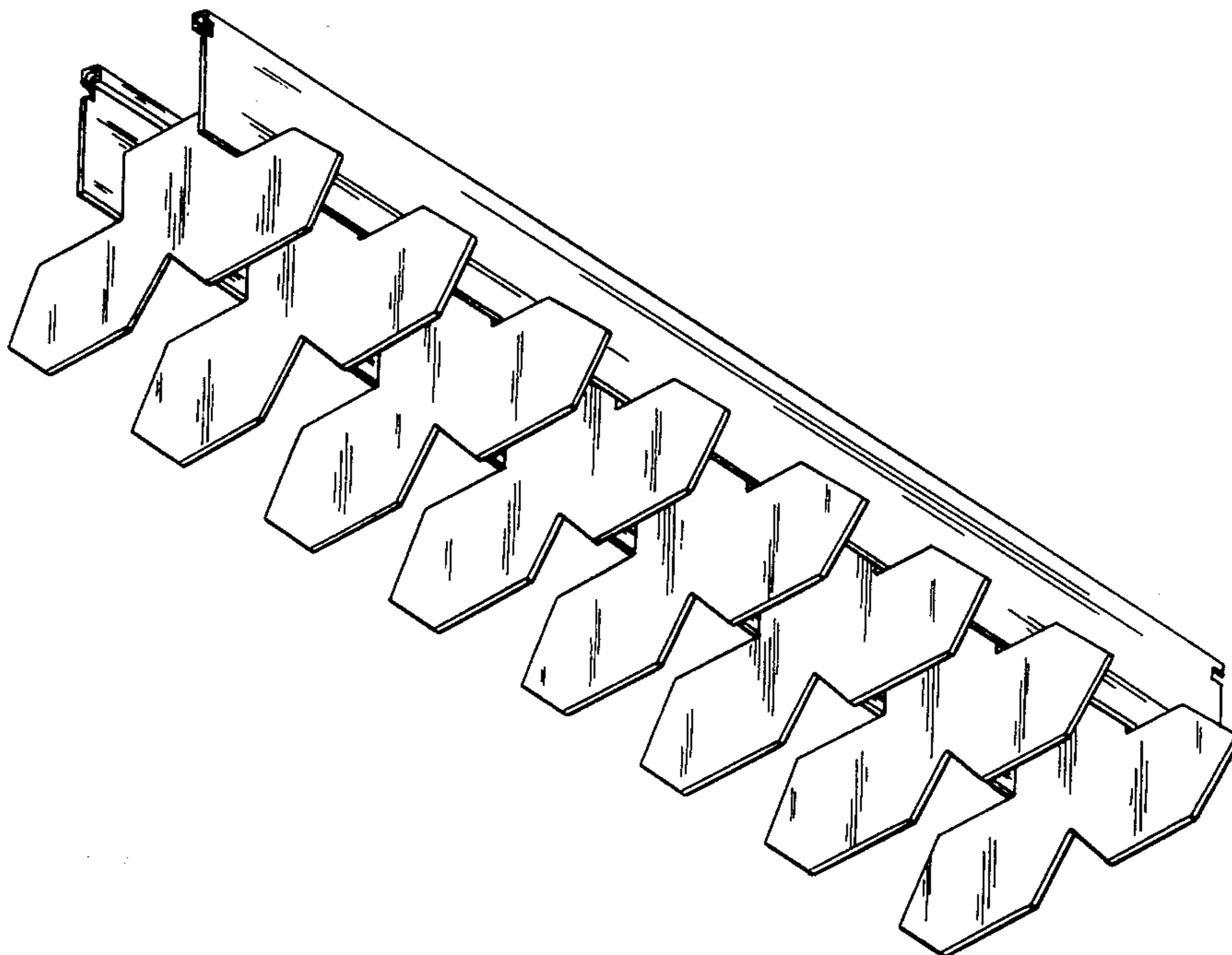
DESCRIPTION

FIG. 1 is an isometric view of a lighting baffle showing my new design;

FIG. 2 is an end view thereof, the opposite end being a mirror image;

FIG. 3 is a top view thereof, the baffle being oriented so that the end shown on the left in FIG. 1 now is shown on the right; and

FIG. 4 is a view of the side opposite that shown in FIG. 1.



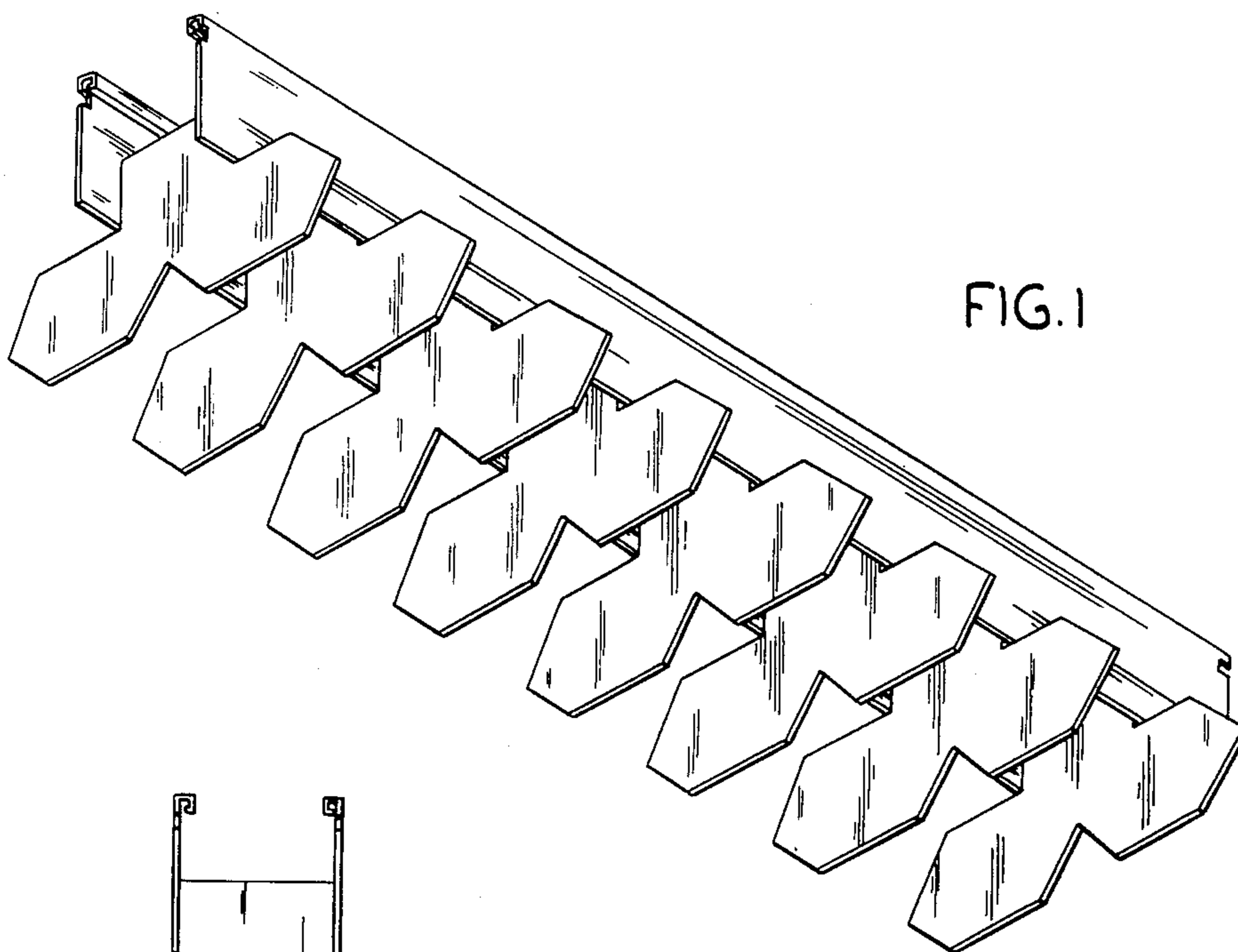


FIG. 1

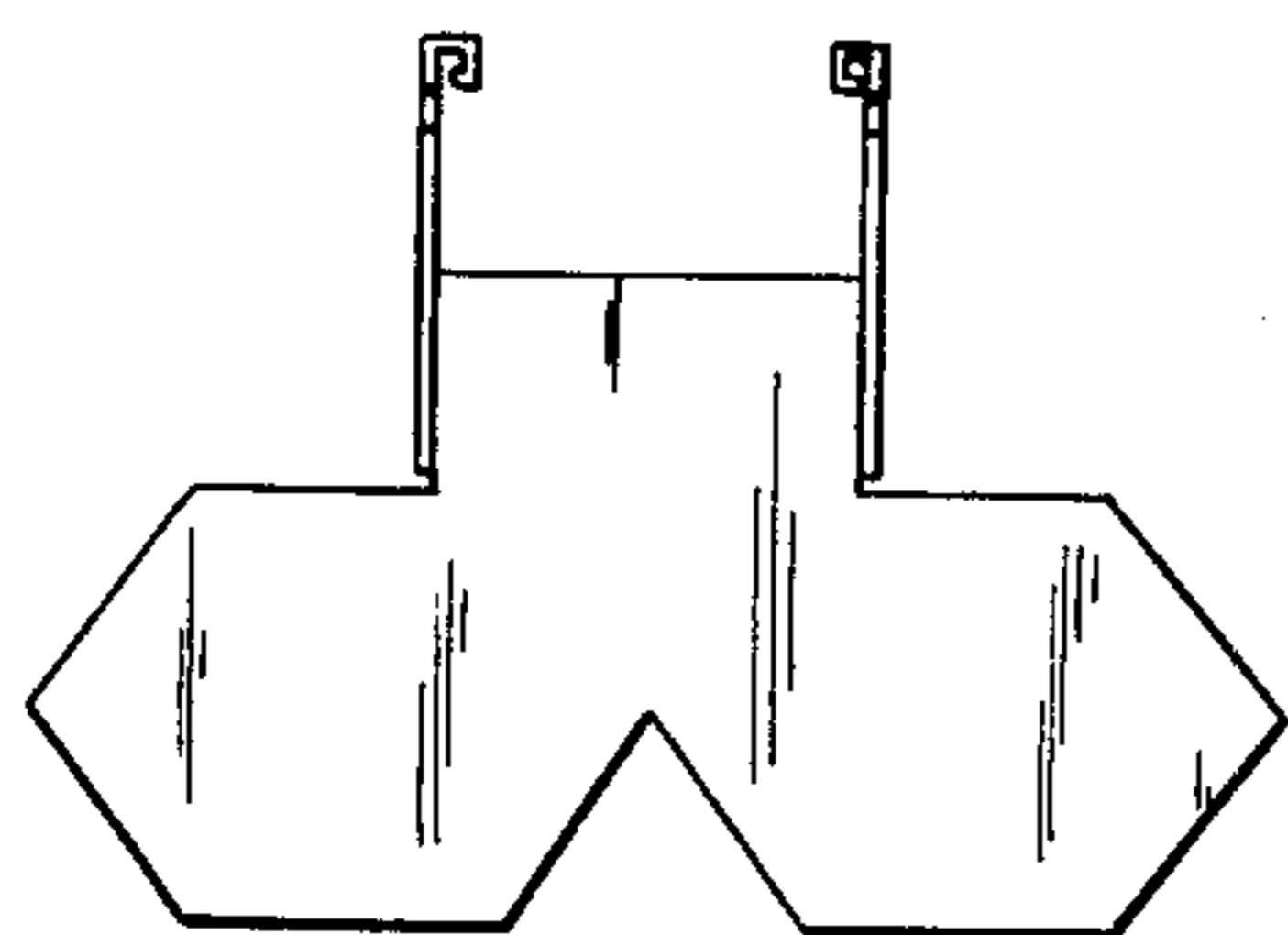


FIG. 2

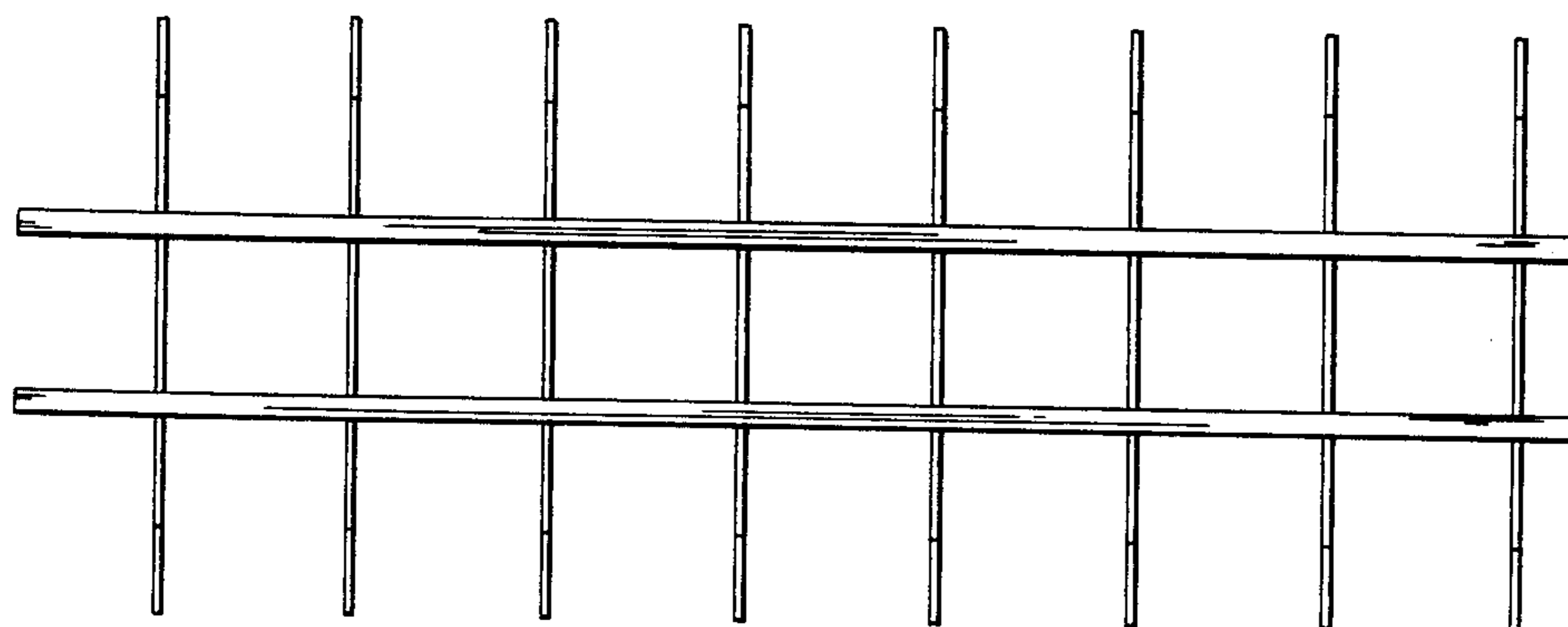


FIG. 3

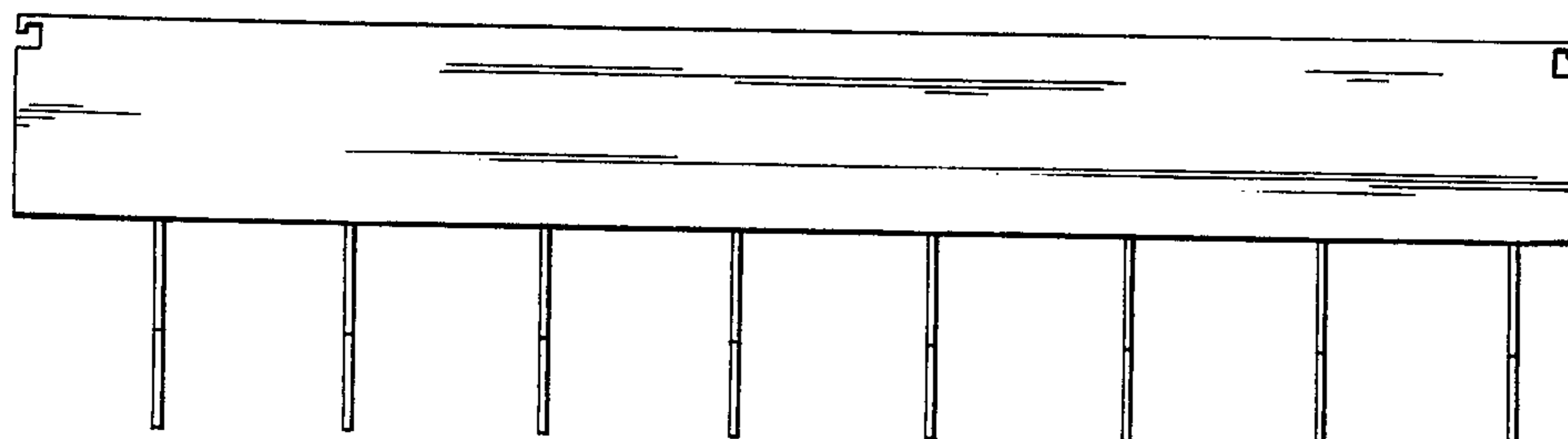


FIG. 4