

[54] COMBINED TOY VEHICLE AND FIGURE THEREFOR

[75] Inventor: Edward M. Ferguson, Nashville, Tenn.

[73] Assignee: Kusan, Inc., Nashville, Tenn.

[\*\*] Term: 14 Years

[21] Appl. No.: 677,881

[22] Filed: Apr. 23, 1976

[51] Int. Cl. .... D21-01

[52] U.S. Cl. .... D34/15 AN

[58] Field of Search ..... D34/15 AJ, 15 D, 15 AM, D34/15 AN; 46/103, 105, 201, 202, 204, 206, 210, 211, 212, 213, 222; 280/87.01

[56] References Cited

U.S. PATENT DOCUMENTS

3,605,331	9/1971	Linstead .....	D34/15 AJ
D. 221,457	8/1971	Henderson .....	D34/15 AJ
D. 222,868	1/1972	Gilford et al. ....	D34/15 AJ
D. 226,013	1/1973	Ogasawara .....	D34/15 AJ

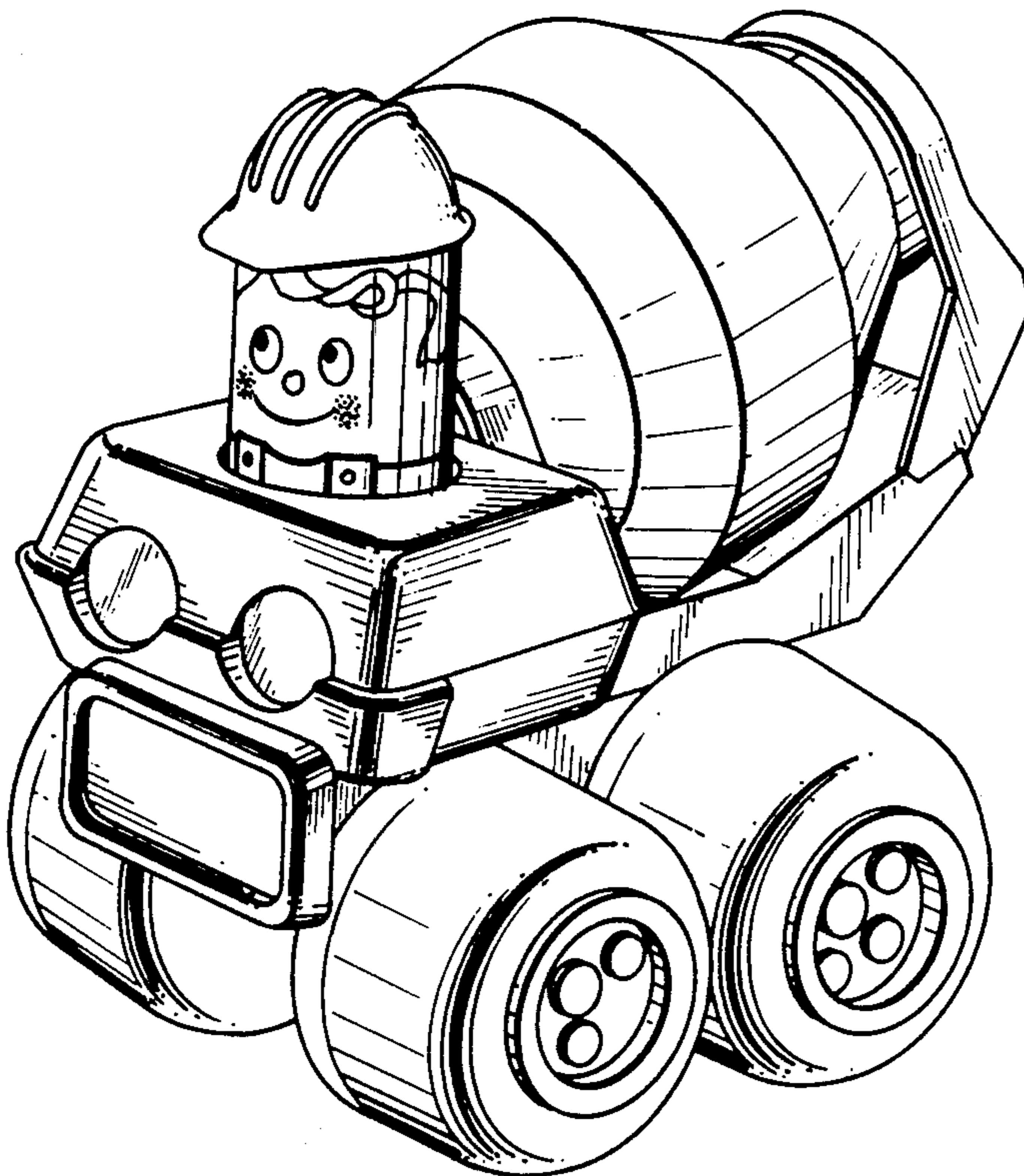
Primary Examiner—Joel Stearman  
Assistant Examiner—C. A. Rademaker  
Attorney, Agent, or Firm—Raymond N. Matson

[57] CLAIM

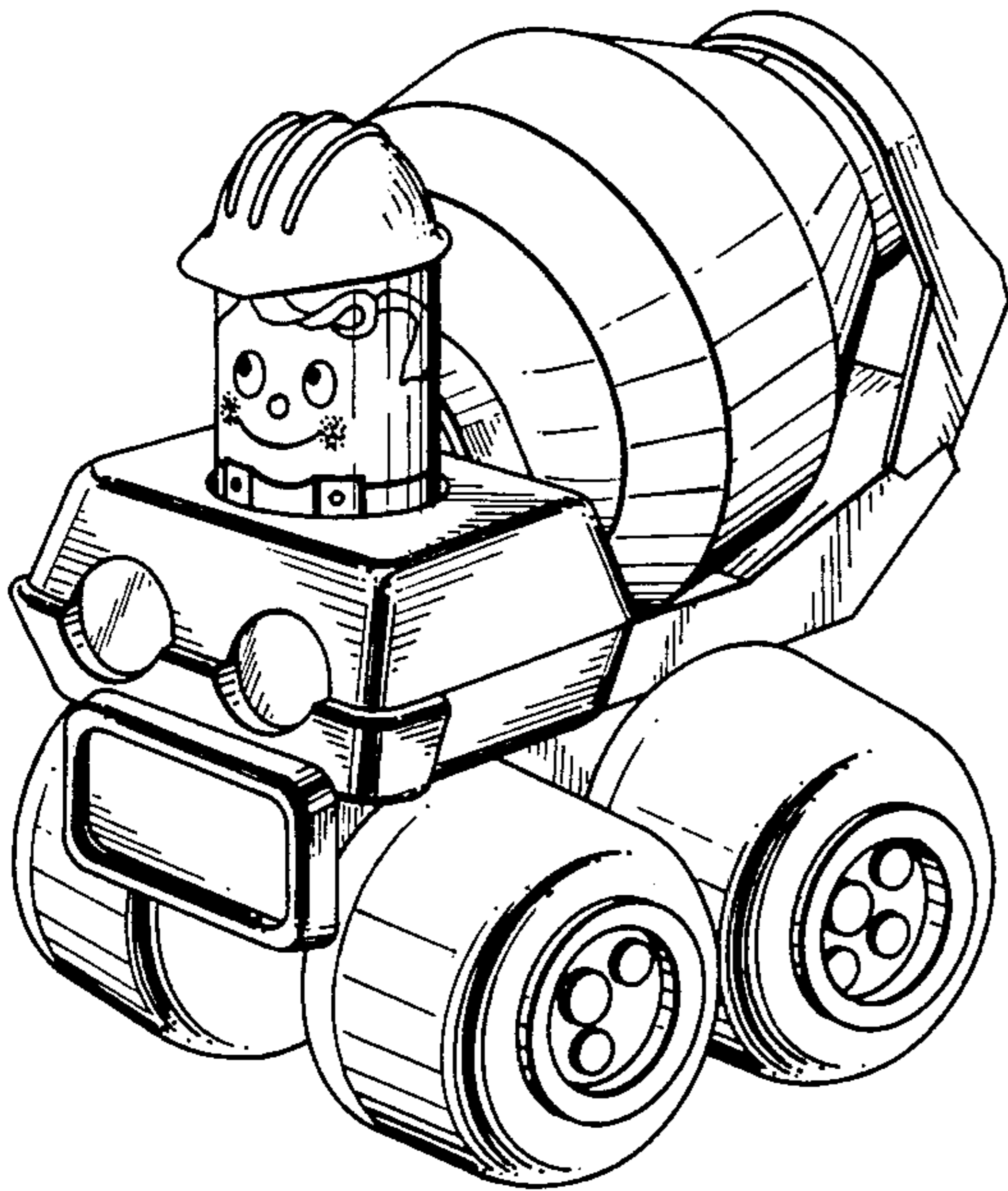
The ornamental design for combined toy vehicle and figure therefor, as shown.

DESCRIPTION

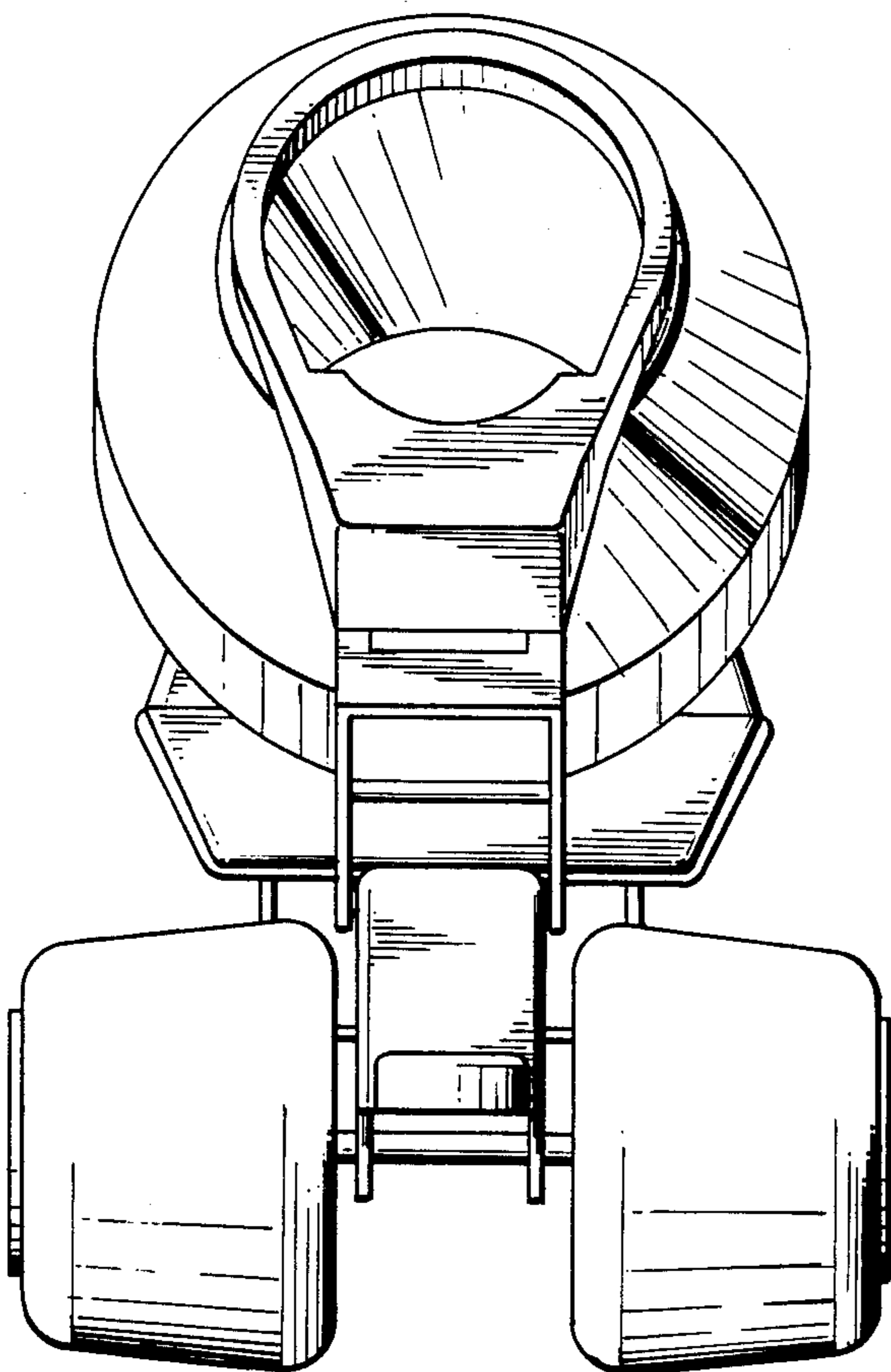
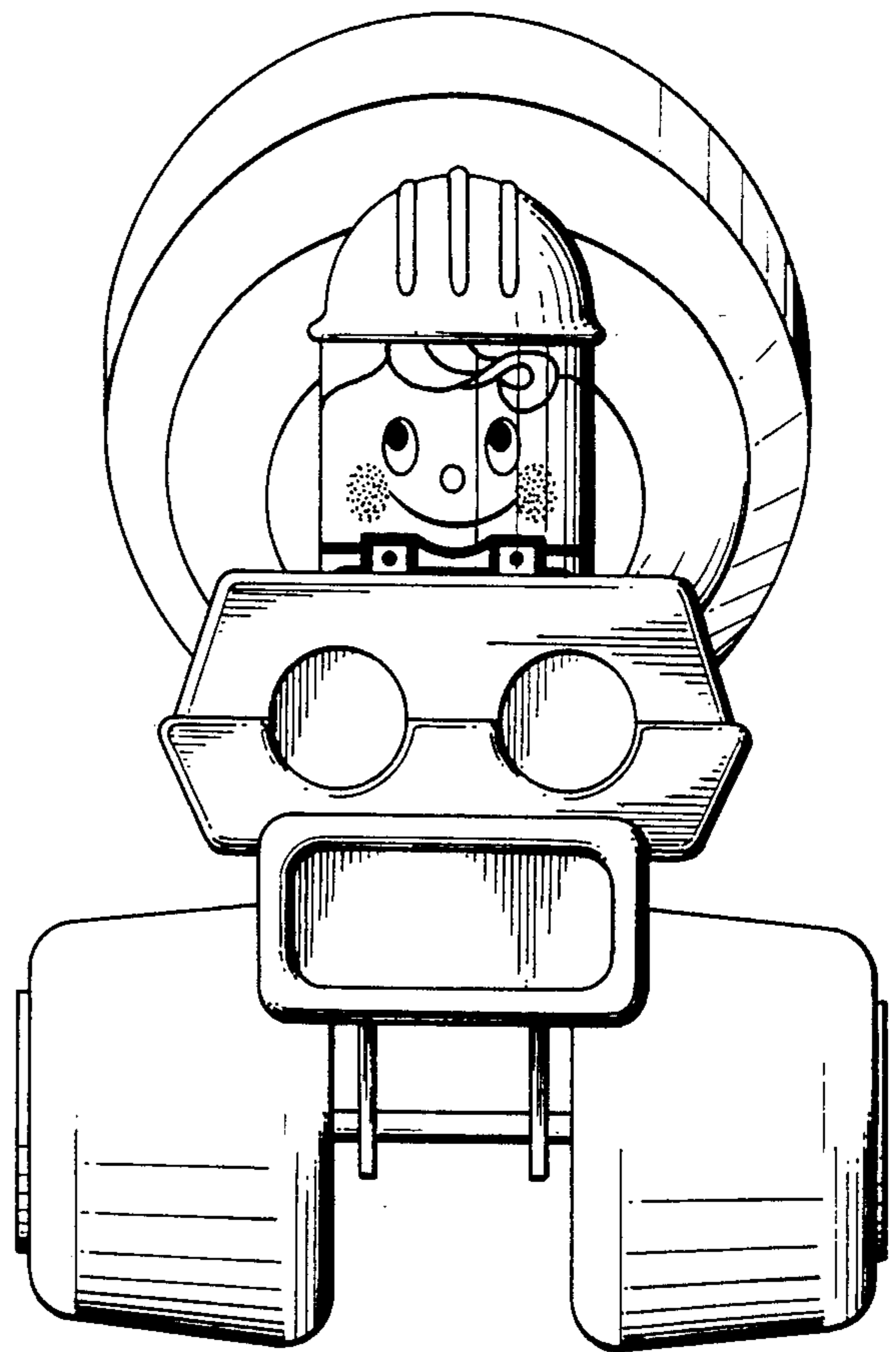
In the drawings,  
FIG. 1 is a perspective view of the combined toy vehicle and figure therefor, showing my new design;  
FIG. 2 is a front elevational view thereof;  
FIG. 3 is a rear elevational view thereof;  
FIG. 4 is a side elevational view thereof; and  
FIG. 5 is a top plan view thereof.



**FIG. 1**

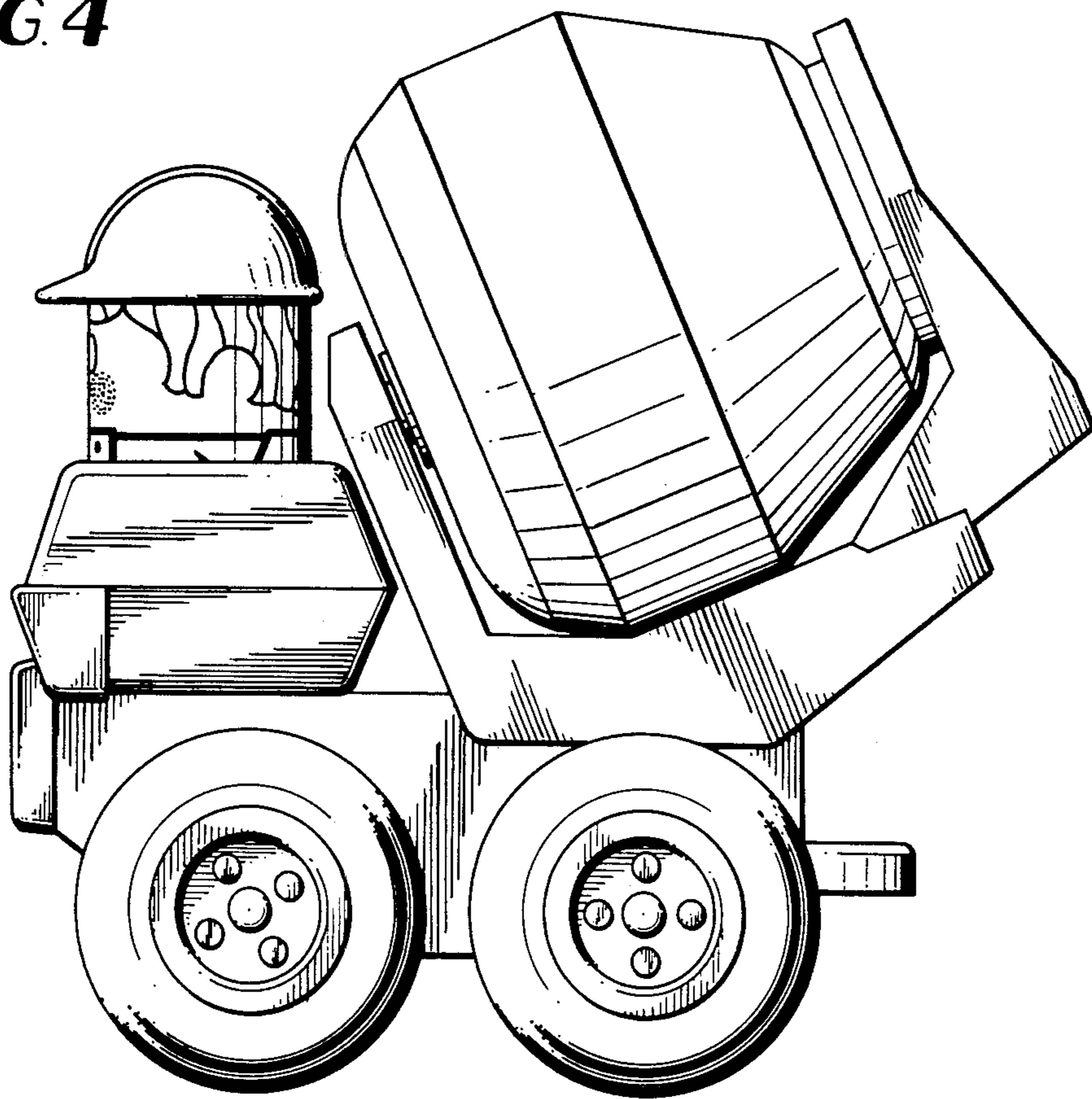


**FIG. 2**



**FIG. 3**

**FIG. 4**



**FIG. 5**

