

[54] TOY SUBMARINE

[75] Inventors: Robert H. Hudson, Seekonk, Mass.; George W. Ptaszek, Pascoag, R.I.

[73] Assignee: Hasbro Development Corporation

[\*\*] Term: 14 Years

[21] Appl. No.: 648,952

[22] Filed: Jan. 12, 1976

[51] Int. Cl. .... D21-01

[52] U.S. Cl. .... D34/15 JJ

[58] Field of Search ..... D34/15 JJ; 46/91-96, 46/87; 272/1 B

[56] References Cited

U.S. PATENT DOCUMENTS

2,214,270 9/1940 Buehler ..... 46/94  
D. 51,488 11/1917 Stull ..... D34/15 JJ

FOREIGN PATENT DOCUMENTS

692,189 6/1953 United Kingdom ..... D34/15 JJ

OTHER PUBLICATIONS

J. C. Penny, 1975 Xmas Catalog, p. 392, "Sea Wolf Submarine".

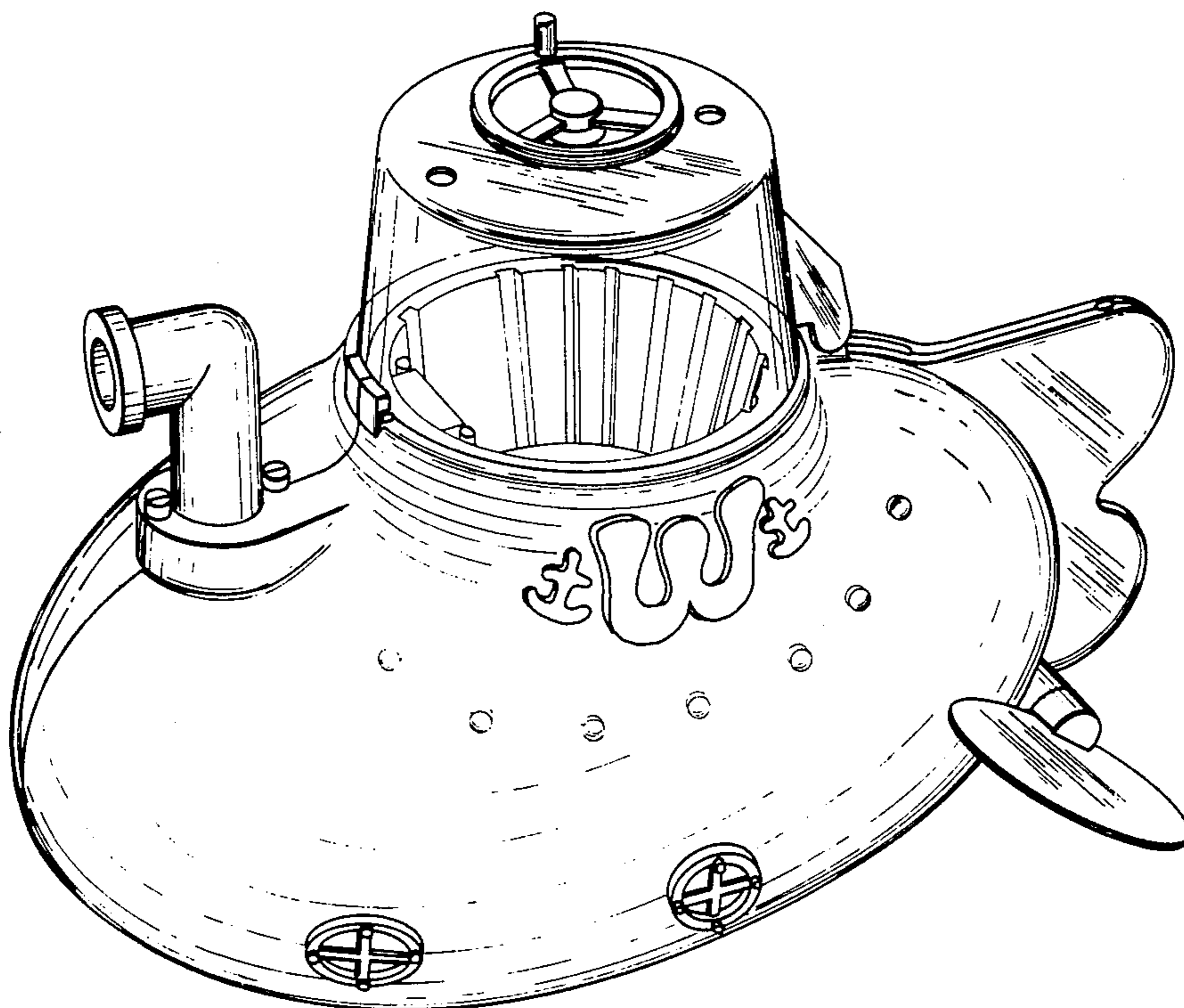
Primary Examiner—Joel Stearman  
Assistant Examiner—C. A. Rademaker  
Attorney, Agent, or Firm—Elliot A. Salter

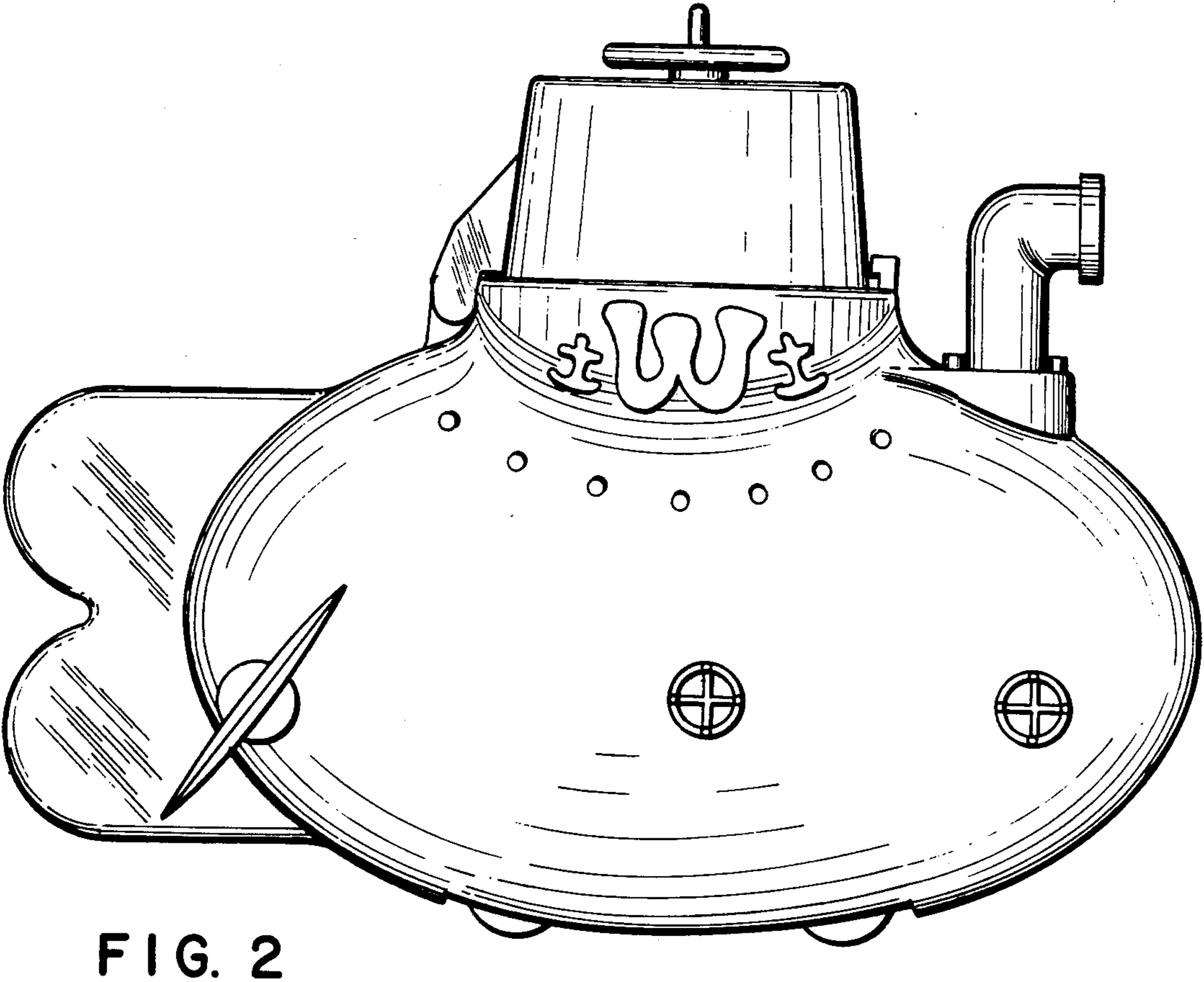
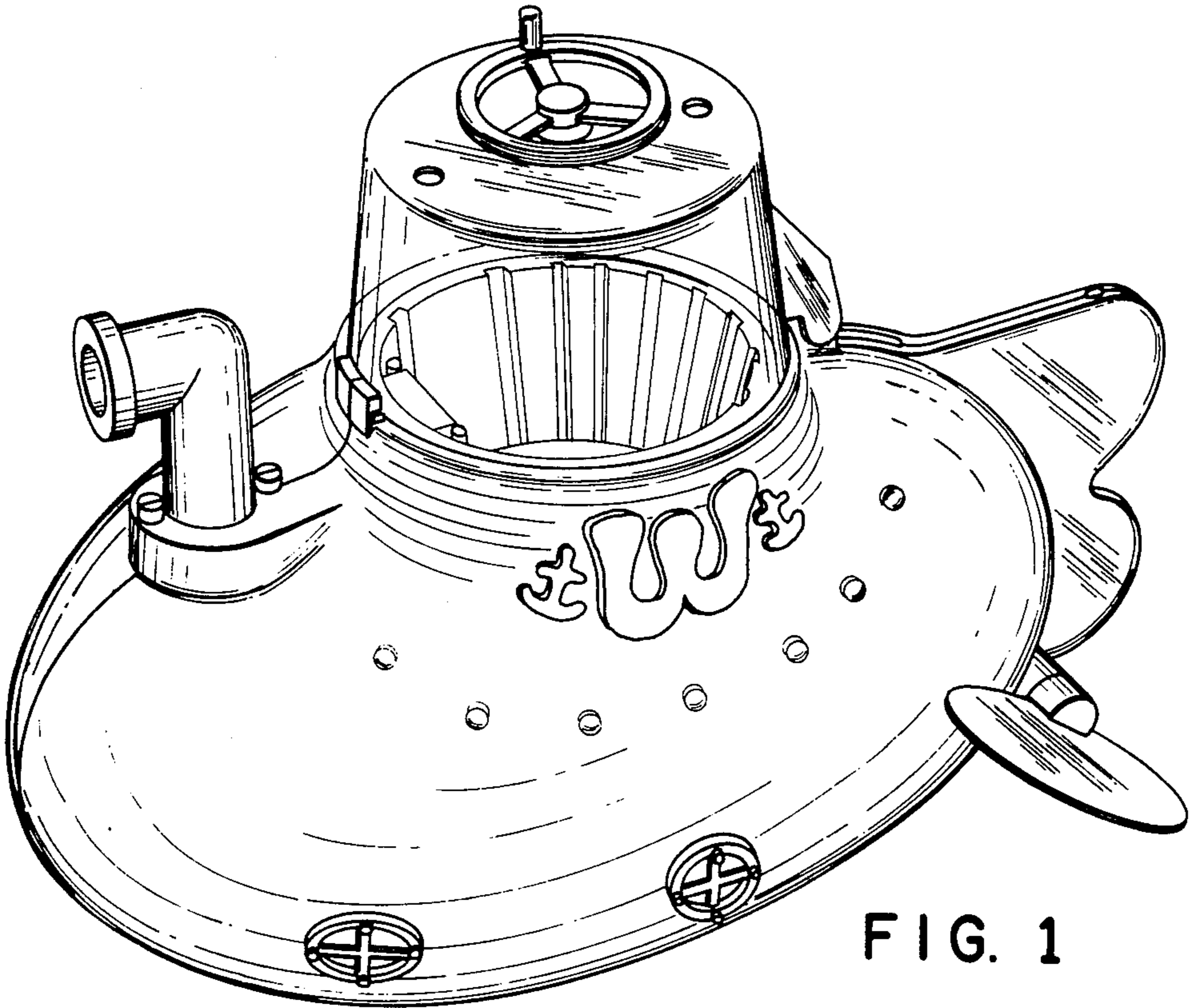
[57] CLAIM

The ornamental design for a toy submarine, substantially as shown.

DESCRIPTION

FIG. 1 is a perspective view of a toy submarine showing our new design;  
FIG. 2 is a side elevational view thereof;  
FIG. 3 is a top plan view thereof;  
FIG. 4 is a bottom plan view thereof;  
FIG. 5 is an end view thereof looking from the left with respect to FIG. 1; and  
FIG. 6 is an end view thereof looking from the right with respect to FIG. 1.





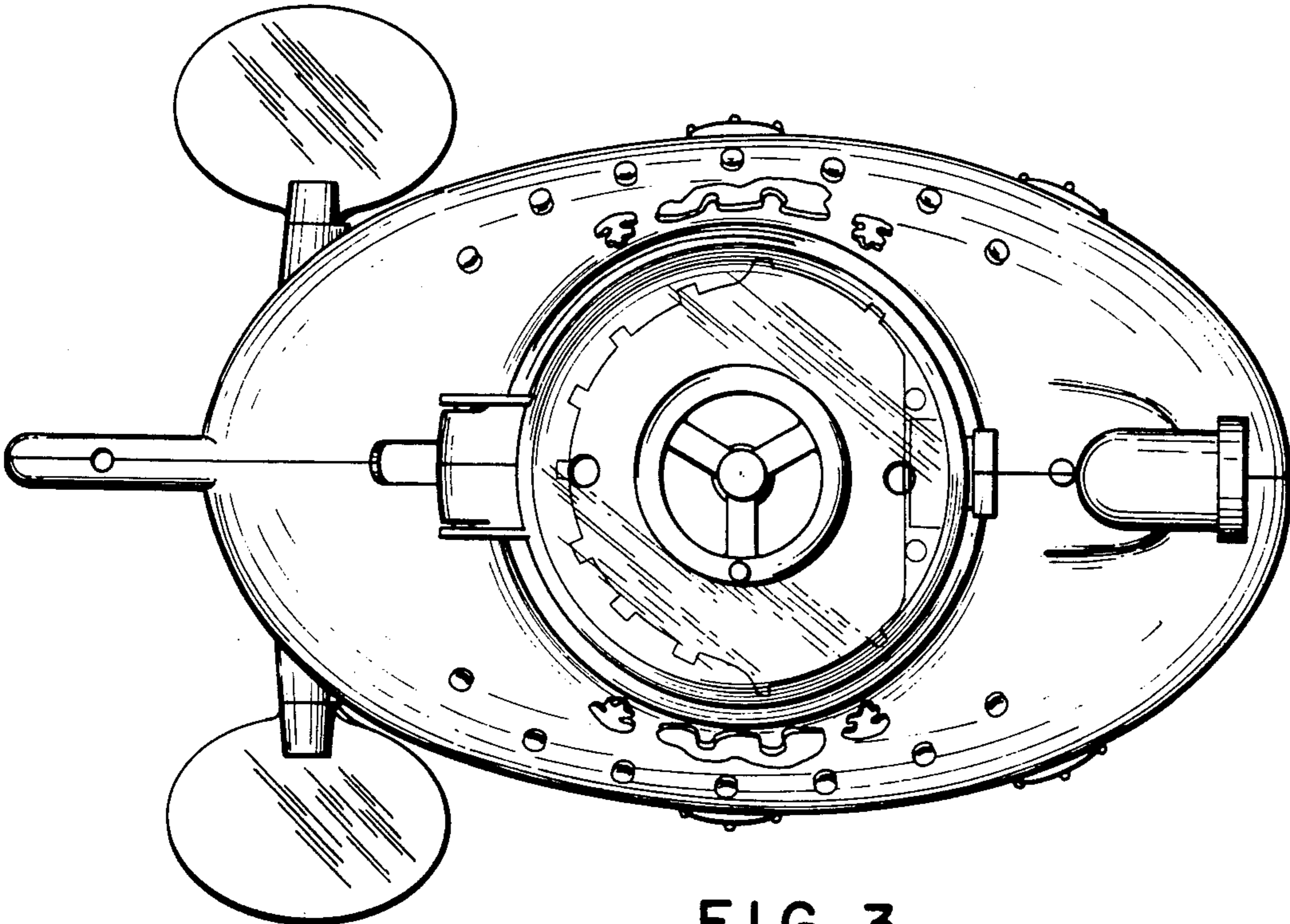


FIG. 3

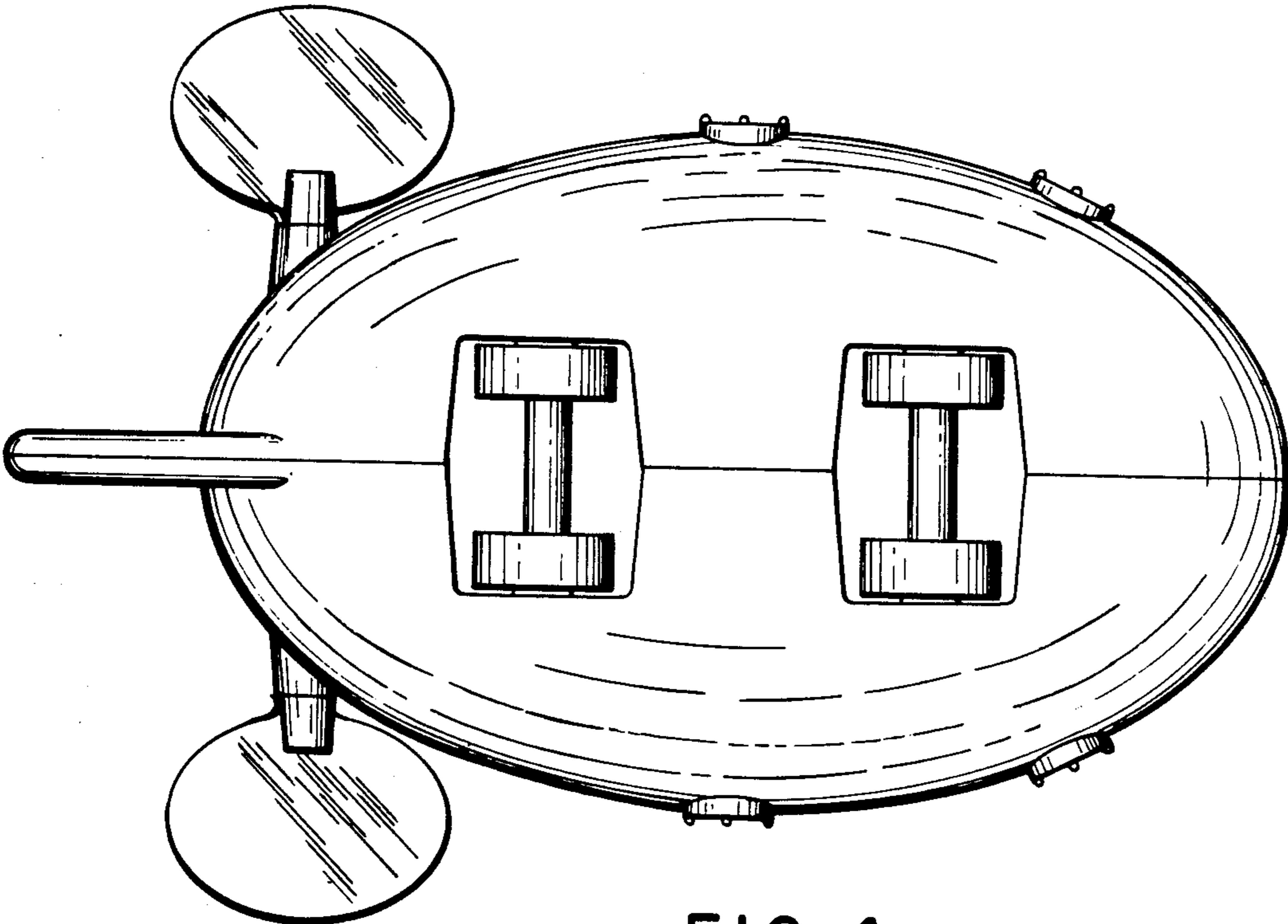


FIG. 4

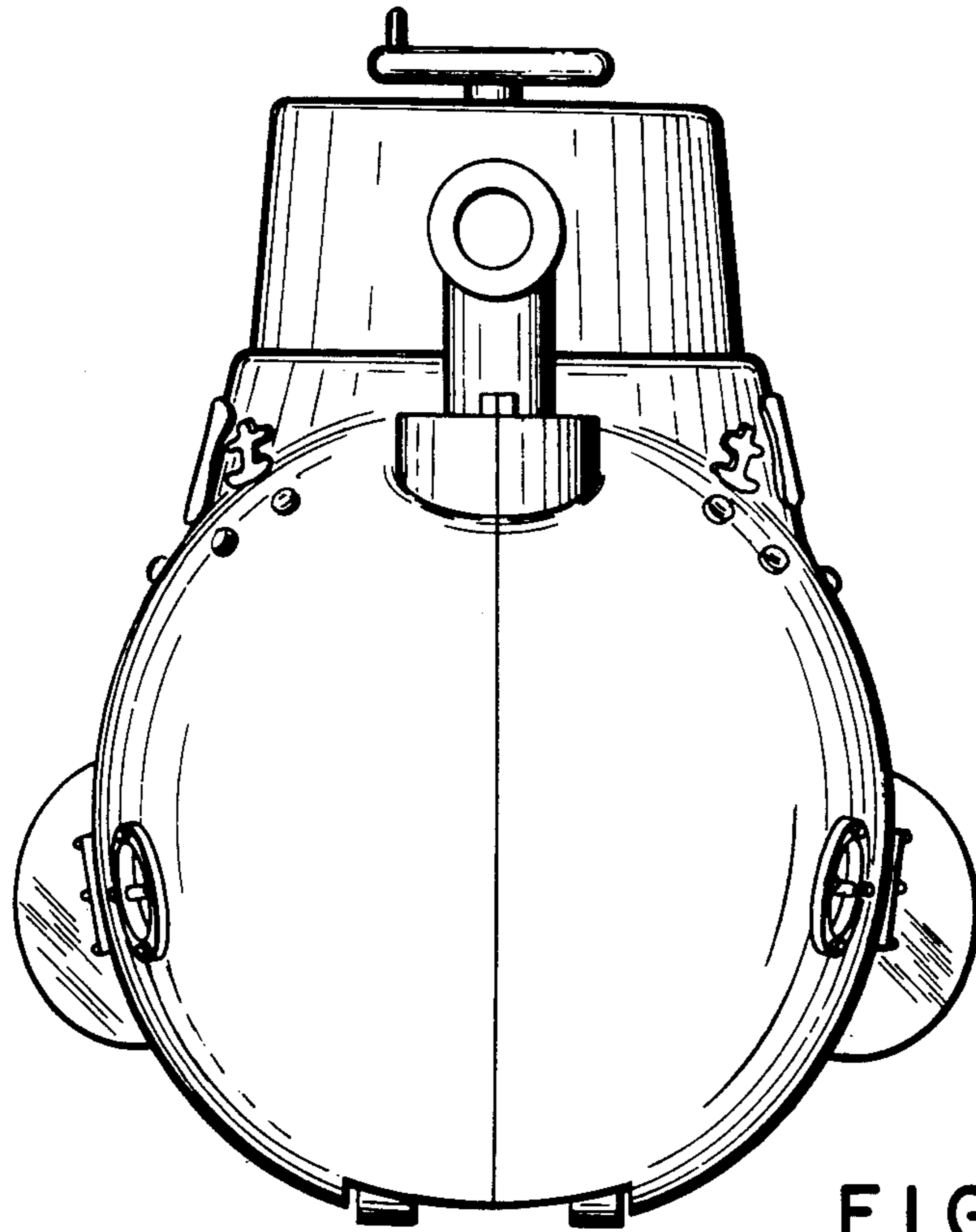


FIG. 5

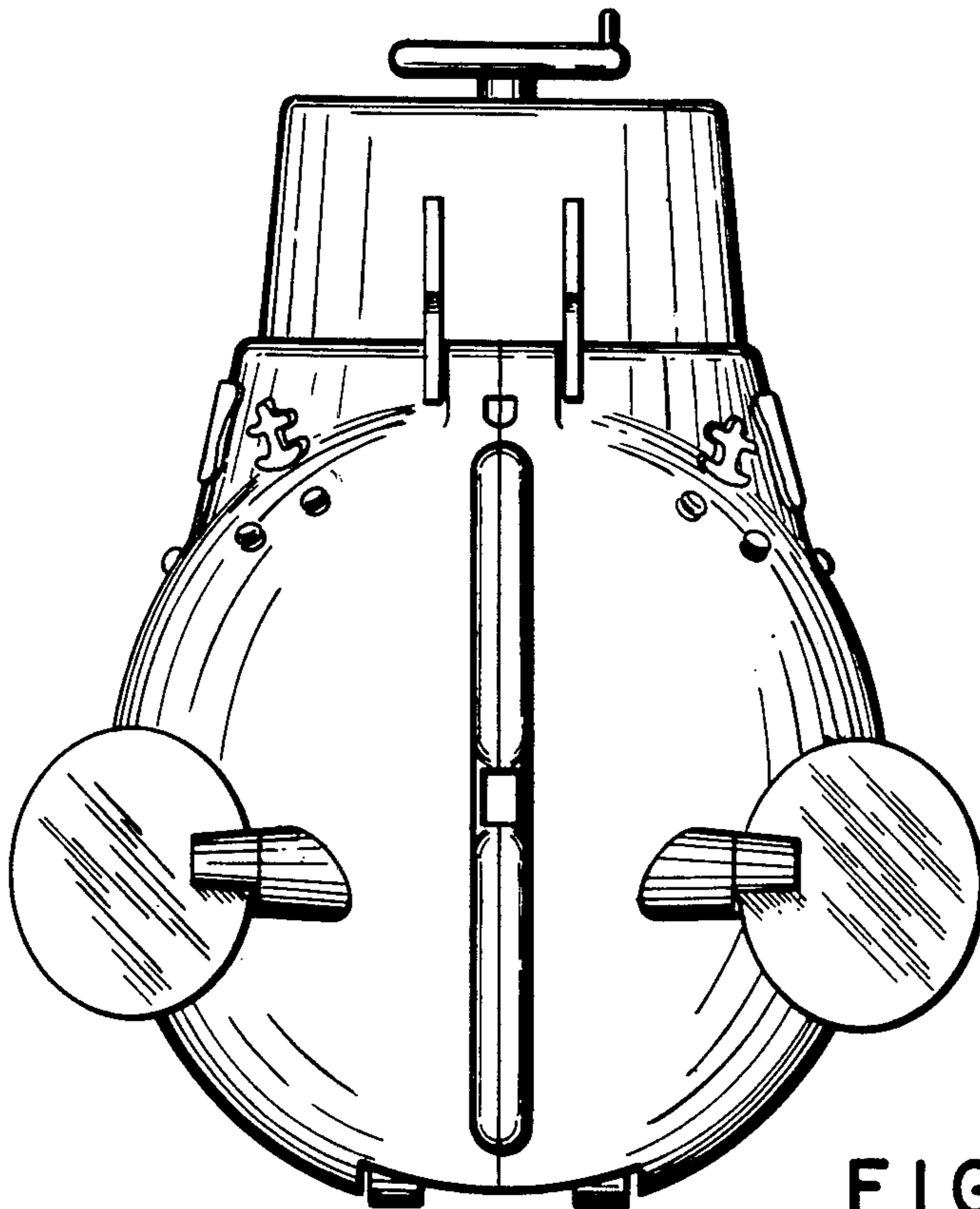


FIG. 6