

[54] TELEPHONE LOCKING DEVICE

[76] Inventors: Albert H. Smith; Randall S. Smith,
both of 17736 Hatteras St., Encino,
Calif. 91316

[**] Term: 14 Years

[21] Appl. No.: 708,094

[22] Filed: July 23, 1976

[51] Int. Cl. D14-03

[52] U.S. Cl. D14/59

[58] Field of Search 179/189 R, 189 D;
70/57, 461; D26/14 A; D8/109

[56] References Cited

U.S. PATENT DOCUMENTS

3,469,041	9/1969	Winston	179/189 R
3,624,317	11/1971	Buckingham et al.	179/189 R
3,939,678	2/1976	Wagoner	179/189 R
D. 227,575	7/1973	Heymann	D26/14 A
D. 236,354	8/1975	Rodriguez	D26/14 A

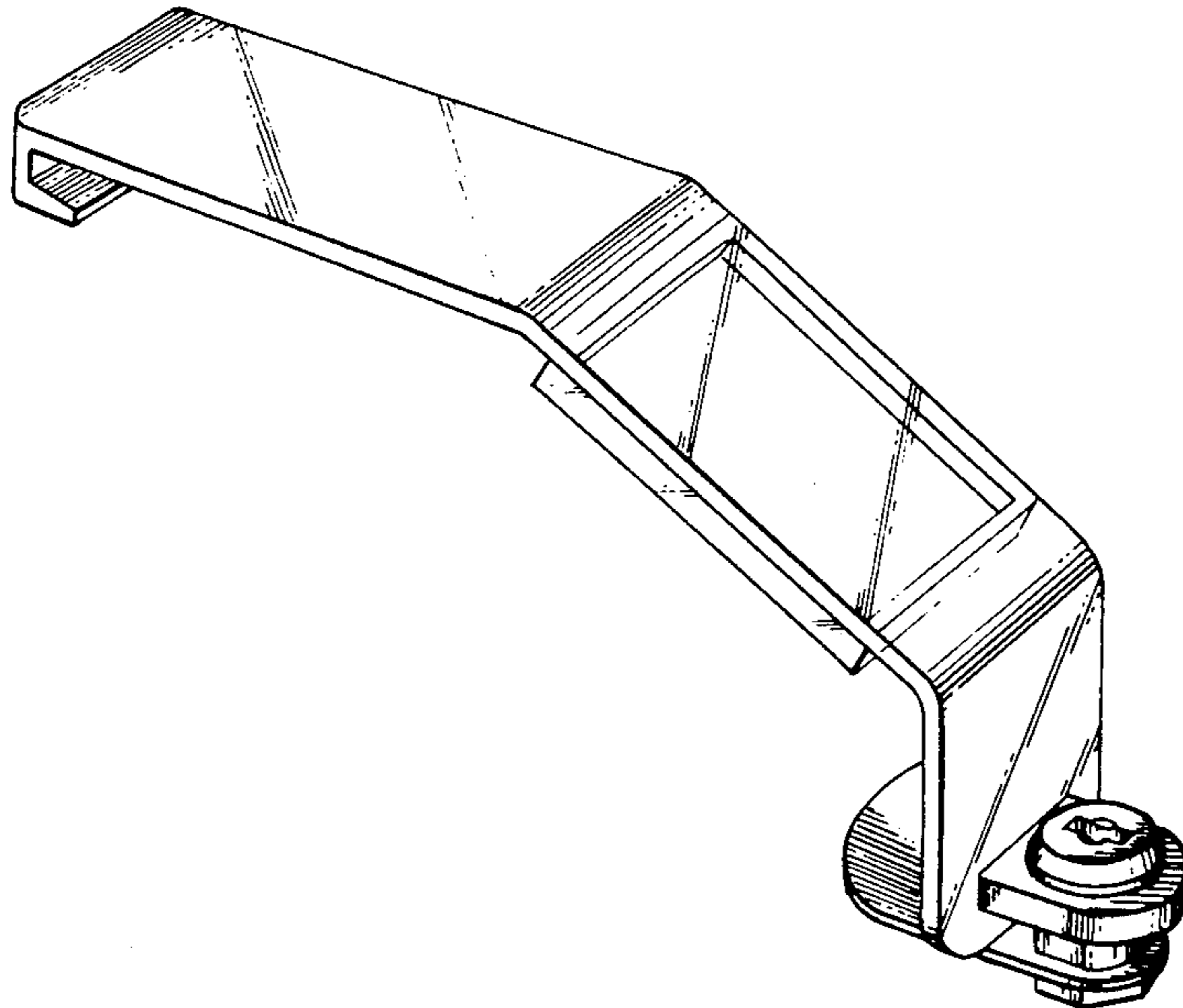
Primary Examiner—Bernard Ansher
Attorney, Agent, or Firm—Frederick E. Mueller

[57] CLAIM

The ornamental design for a telephone locking device,
substantially as shown and described.

DESCRIPTION

FIG. 1 is a perspective view of a telephone locking device embodying my new design;
FIG. 2 is a side elevational view thereof;
FIG. 3 is an end elevational view thereof; and
FIG. 4 is a bottom plan view thereof.



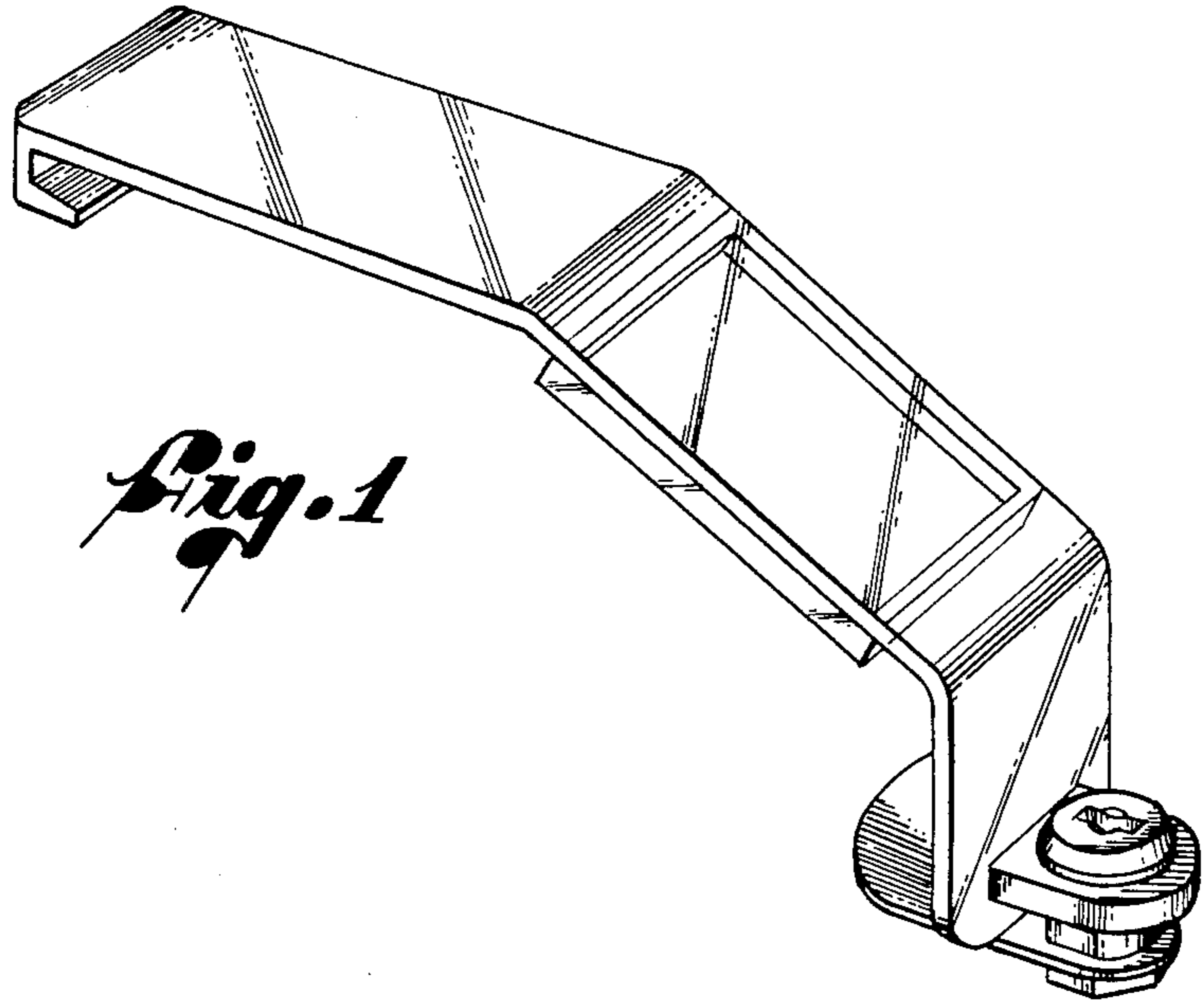


Fig. 1

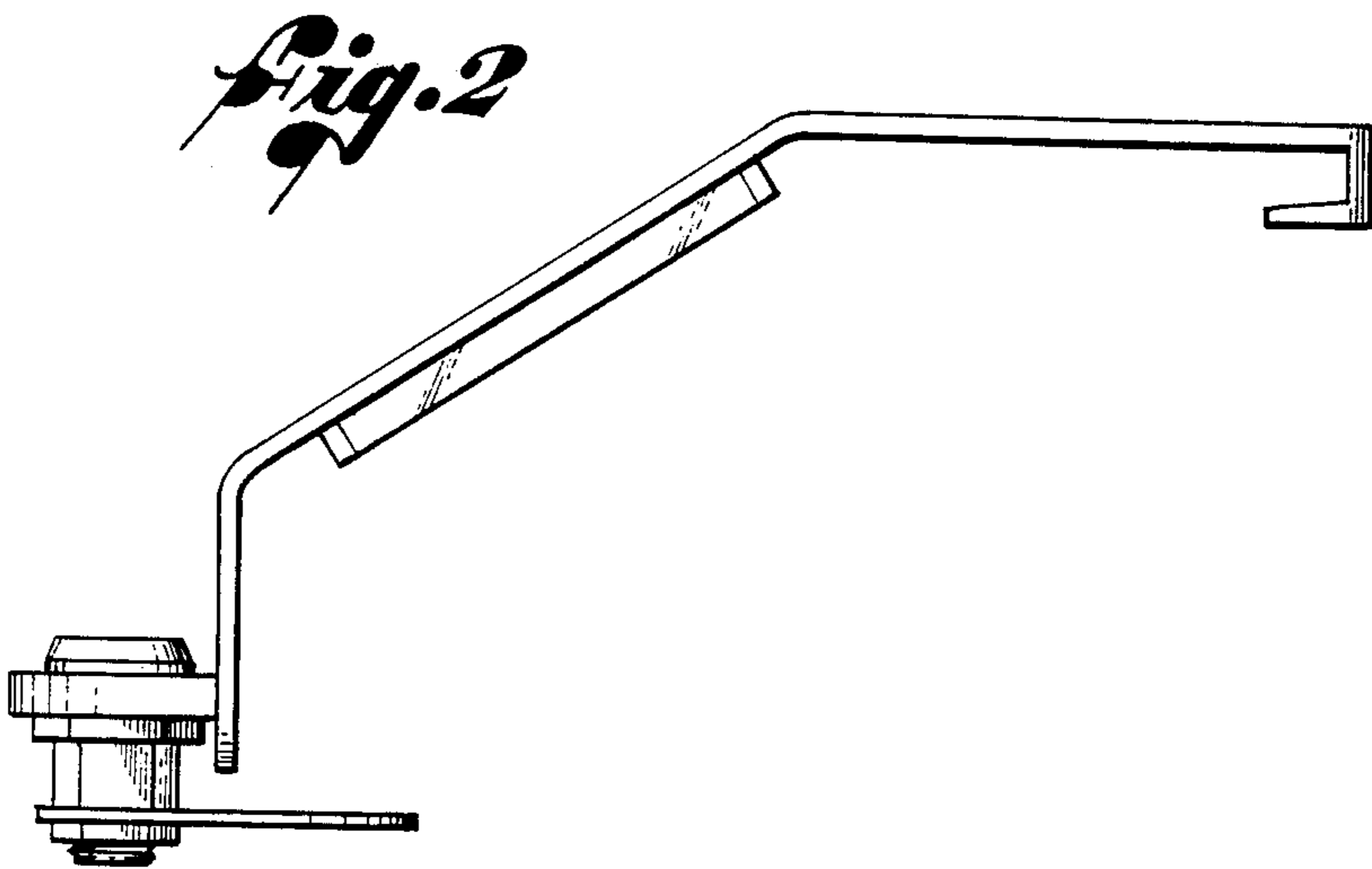


Fig. 2

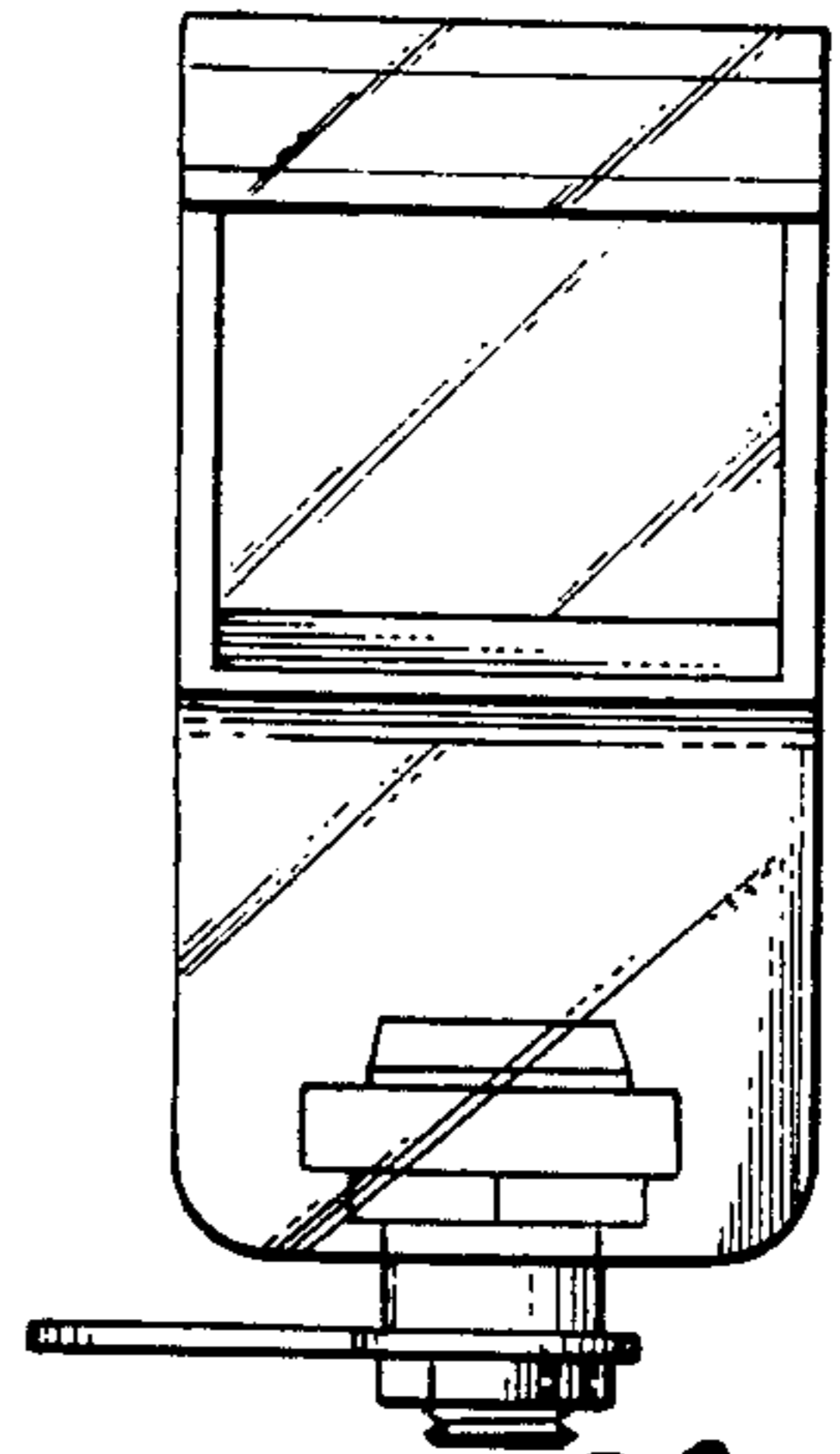


Fig. 3

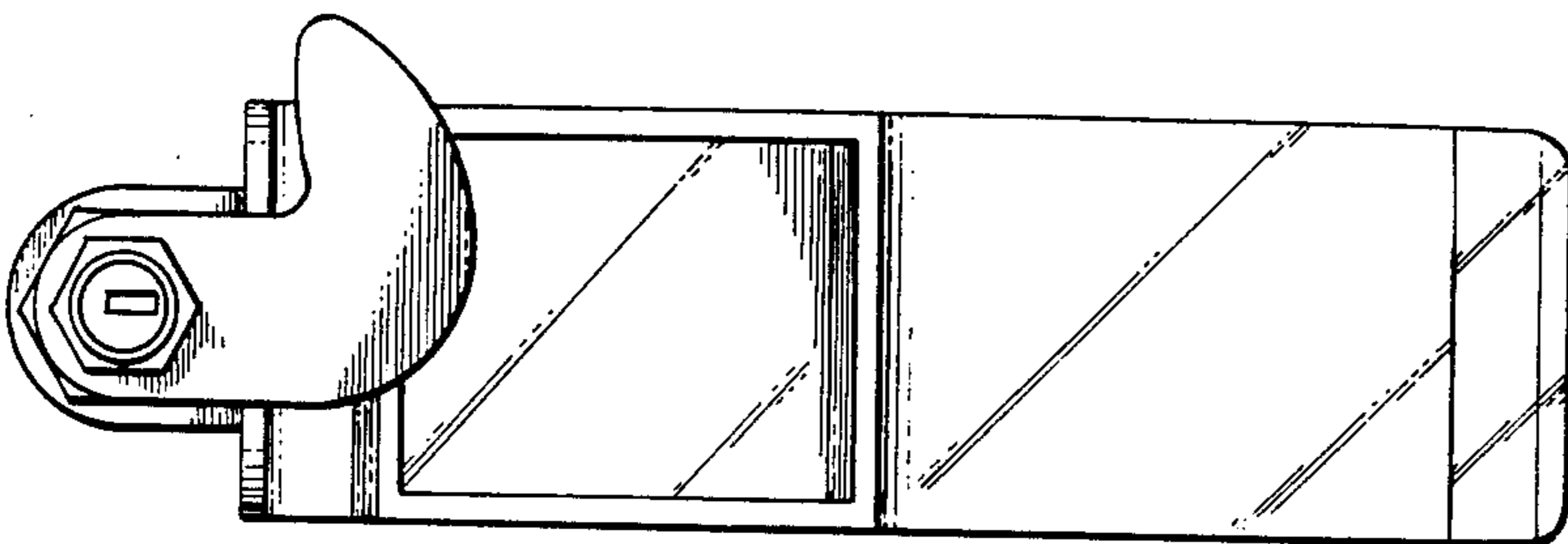


Fig. 4