

United States Patent [19]

Kohl

[11] Des. 245,512

[45] ** Aug. 23, 1977

[54] VENTILATED BITE STICK

[75] Inventor: William A. Kohl, Anza, Calif.

[73] Assignee: Dyna Med, Inc., Carlsbad, Calif.

[**] Term: 14 Years

[21] Appl. No.: 714,633

[22] Filed: Aug. 16, 1976

[51] Int. Cl. D24-02

[52] U.S. Cl. D24/10

[58] Field of Search D24/1 D, 10, 11, 8,
D24/36; D83/1 T; 128/136, 132; 272/95, 57 H

[56] References Cited

U.S. PATENT DOCUMENTS

2,694,397 11/1954 Herms 128/136
3,971,370 7/1976 Halford et al. 128/136

D. 197,889 4/1964 Hass D83/1 T

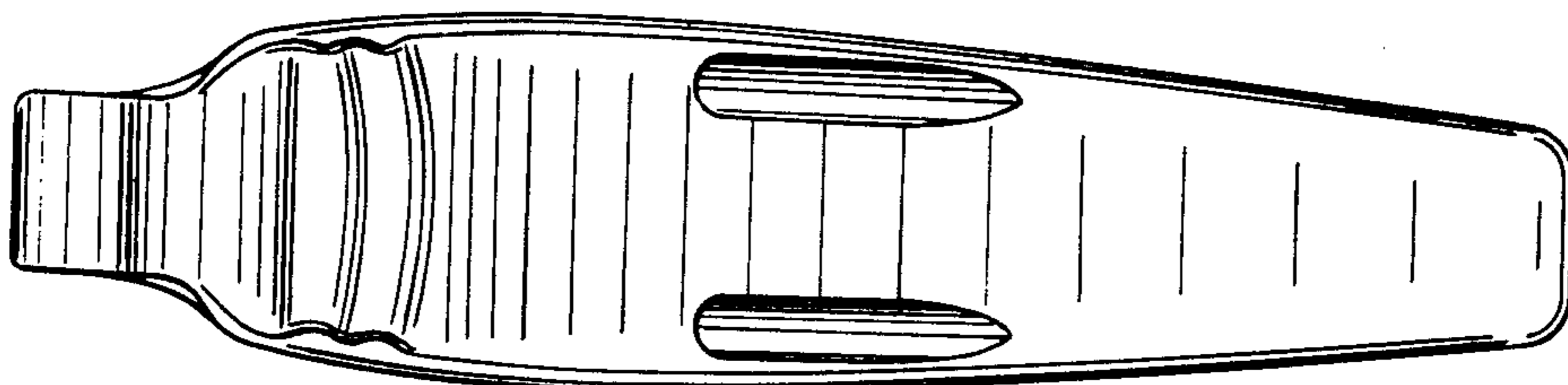
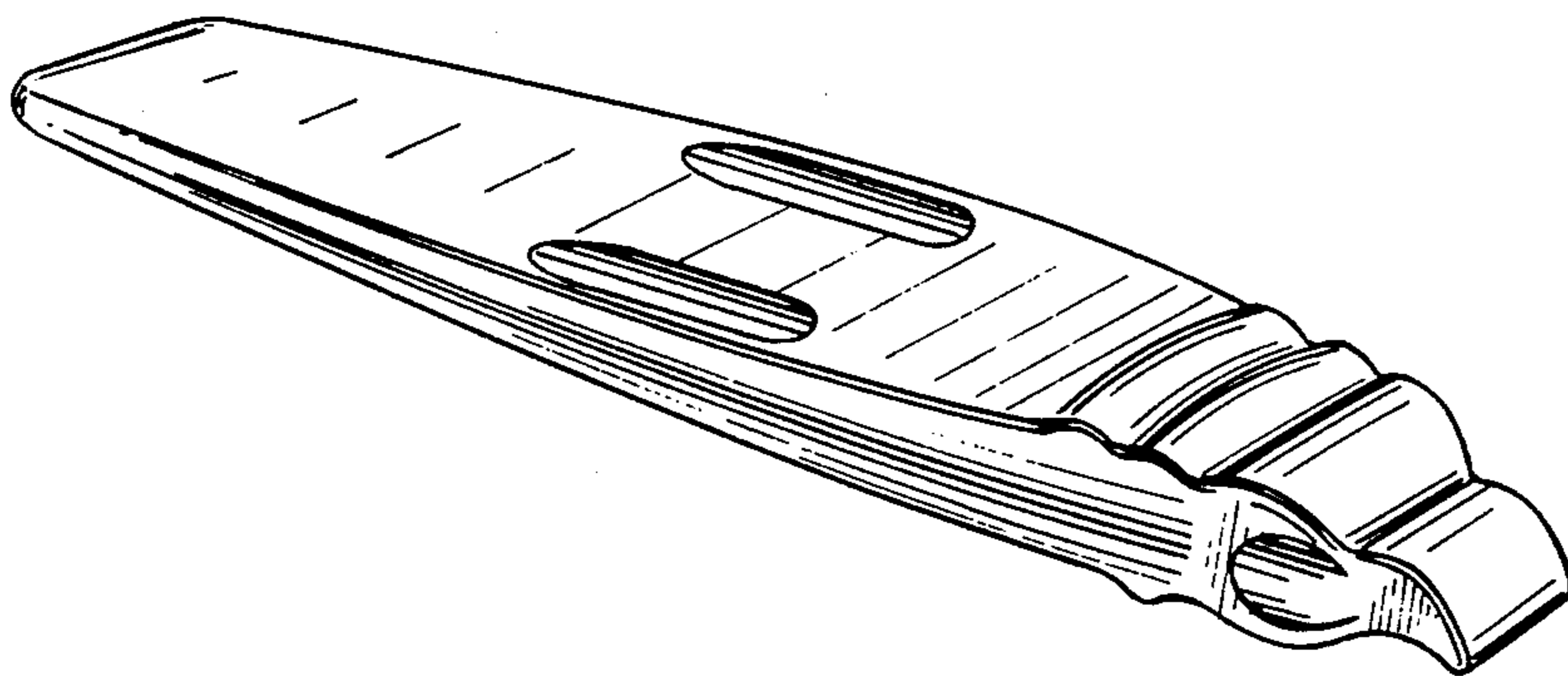
Primary Examiner—Bernard Ansher
Attorney, Agent, or Firm—Carl R. Brown

[57] CLAIM

The ornamental design for a ventilated bite stick, substantially as shown and described.

DESCRIPTION

FIG. 1 is a perspective view of a ventilated bite stick, showing my new design;
FIG. 2 is a side elevational view as taken from the rear of FIG. 1;
FIG. 3 is a top plan view thereof;
FIG. 4 is a bottom plan view thereof;
FIG. 5 is an end elevational view as taken from the left hand end of FIG. 2; and
FIG. 6 is an end elevational view as taken from the right hand end of FIG. 2.



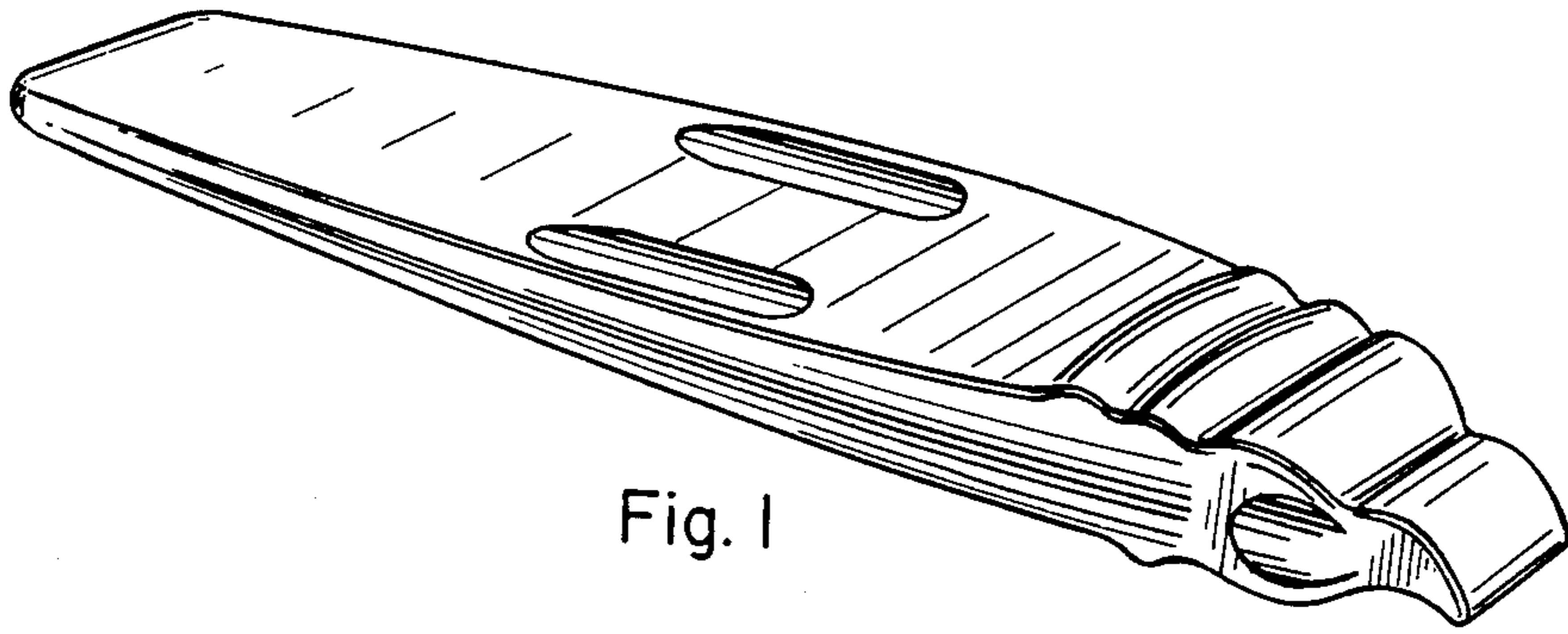


Fig. 1

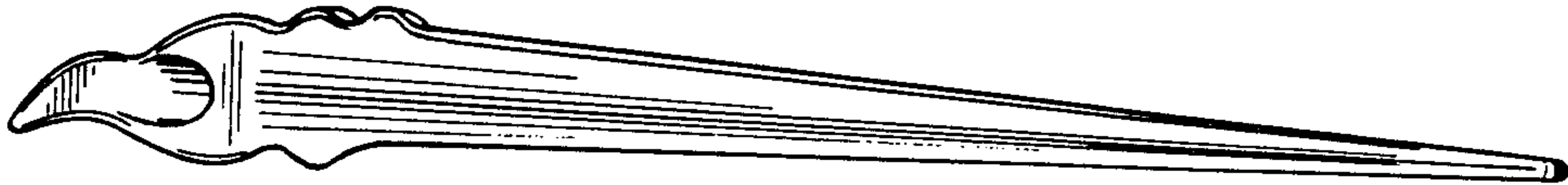


Fig. 2

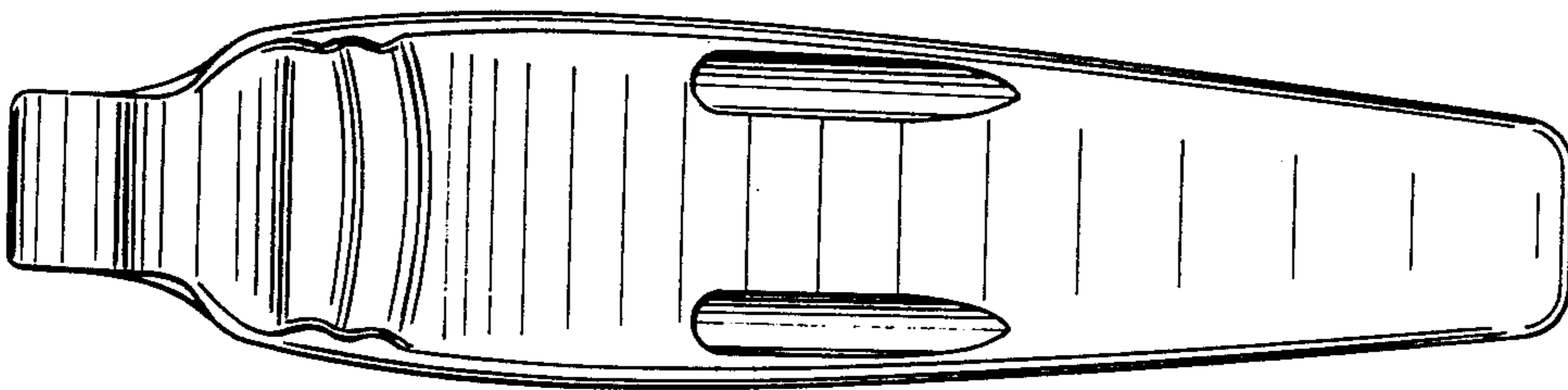


Fig. 3

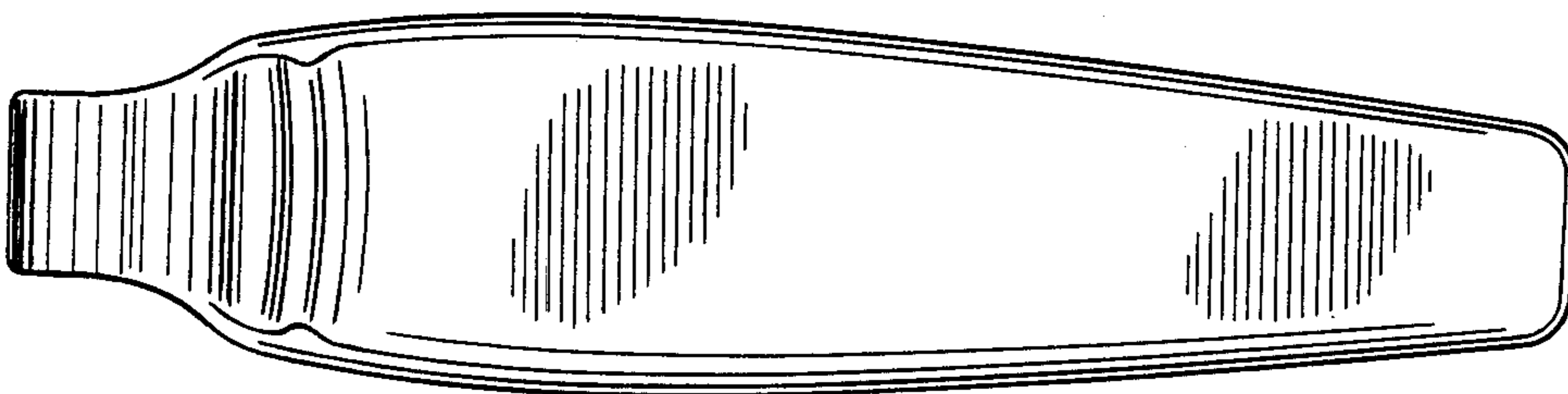


Fig. 4



Fig. 5



Fig. 6