

[54] ELECTRIC RADIANT SPACE HEATER

[75] Inventors: Albert W. Herman, North Olmsted; Joseph W. Adams, Westlake, both of Ohio

[73] Assignee: Bettcher Manufacturing Corporation

[\*\*] Term: 14 Years

[21] Appl. No.: 623,376

[22] Filed: Oct. 17, 1975

[51] Int. Cl. .... D23-03

[52] U.S. Cl. .... D23/113

[58] Field of Search ..... D23/93, 111, 112, 113, D23/124, 122, 115; 219/343, 344, 345, 339, 348, 349, 377

[56] References Cited

U.S. PATENT DOCUMENTS

D. 194,376	1/1963	Jacobs .....	D23/115
D. 196,408	9/1963	Chatham .....	D23/114
D. 206,842	1/1967	Surckla .....	D23/111

OTHER PUBLICATIONS

Sweet's Architectural File, 1972, p. 2, Section 15.12/AJ, Item 700 Series, sight proof grille. Heating/Piping/Air Conditioning, Sept. 1973, p. 83, upper right corner, H Horizontal Unit Heater. Hardware Age, Oct. 31, 1940, p. 147, upper right corner, Gas Circulating Heater.

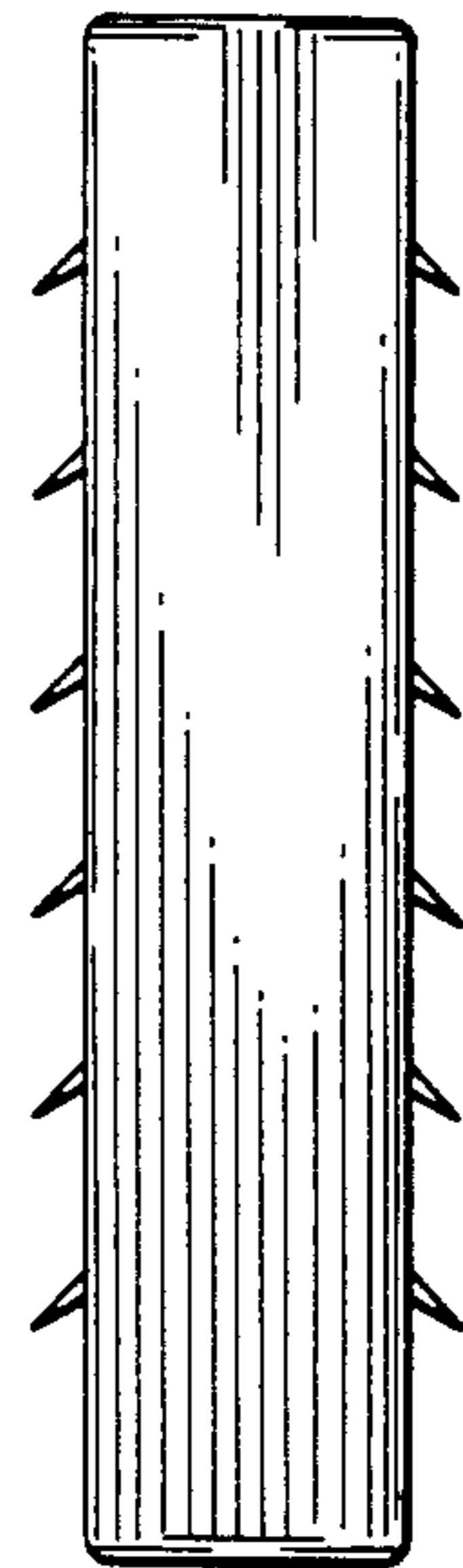
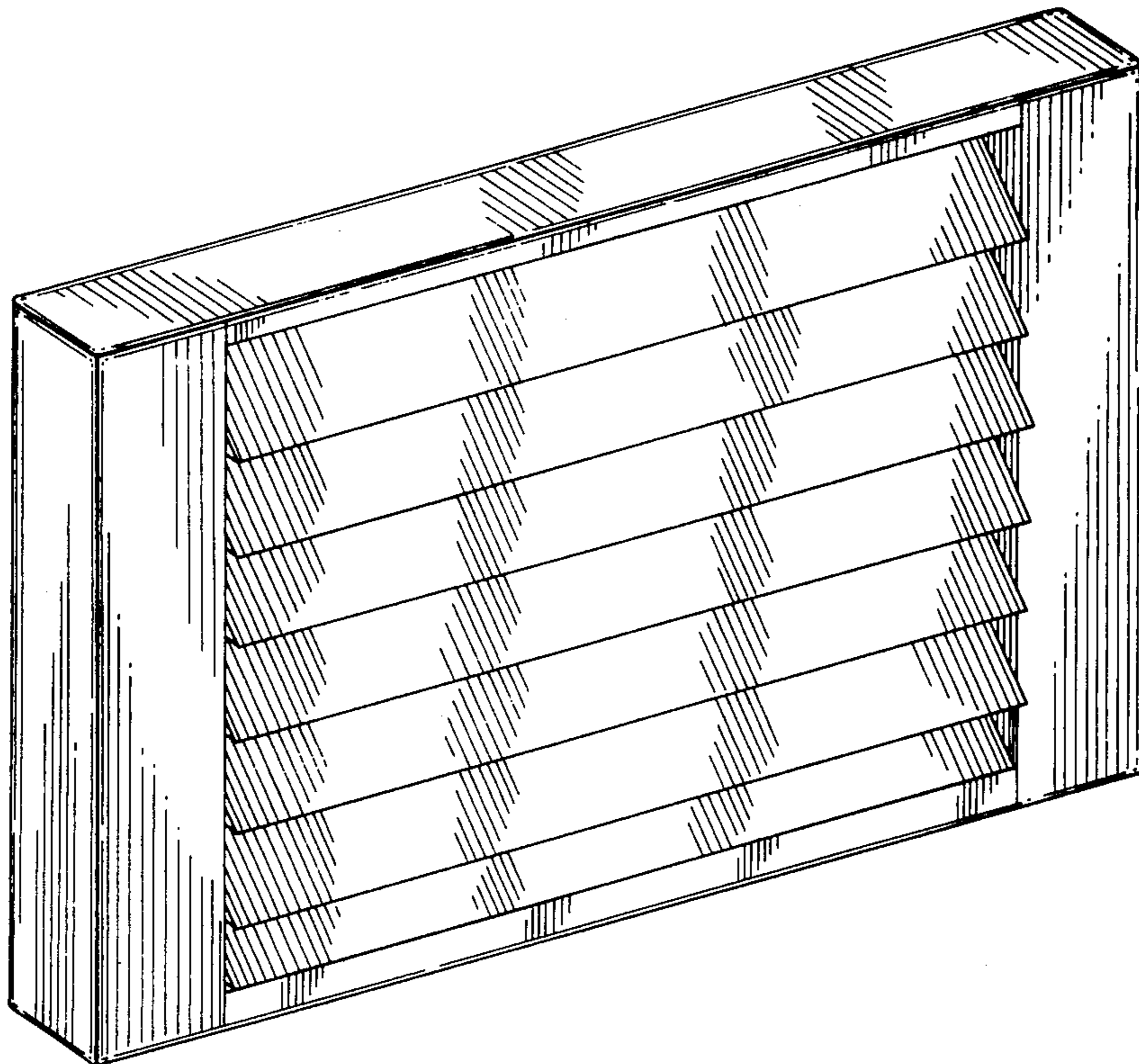
Primary Examiner—Wallace R. Burke  
Attorney, Agent, or Firm—Frederic M. Bosworth

[57] CLAIM

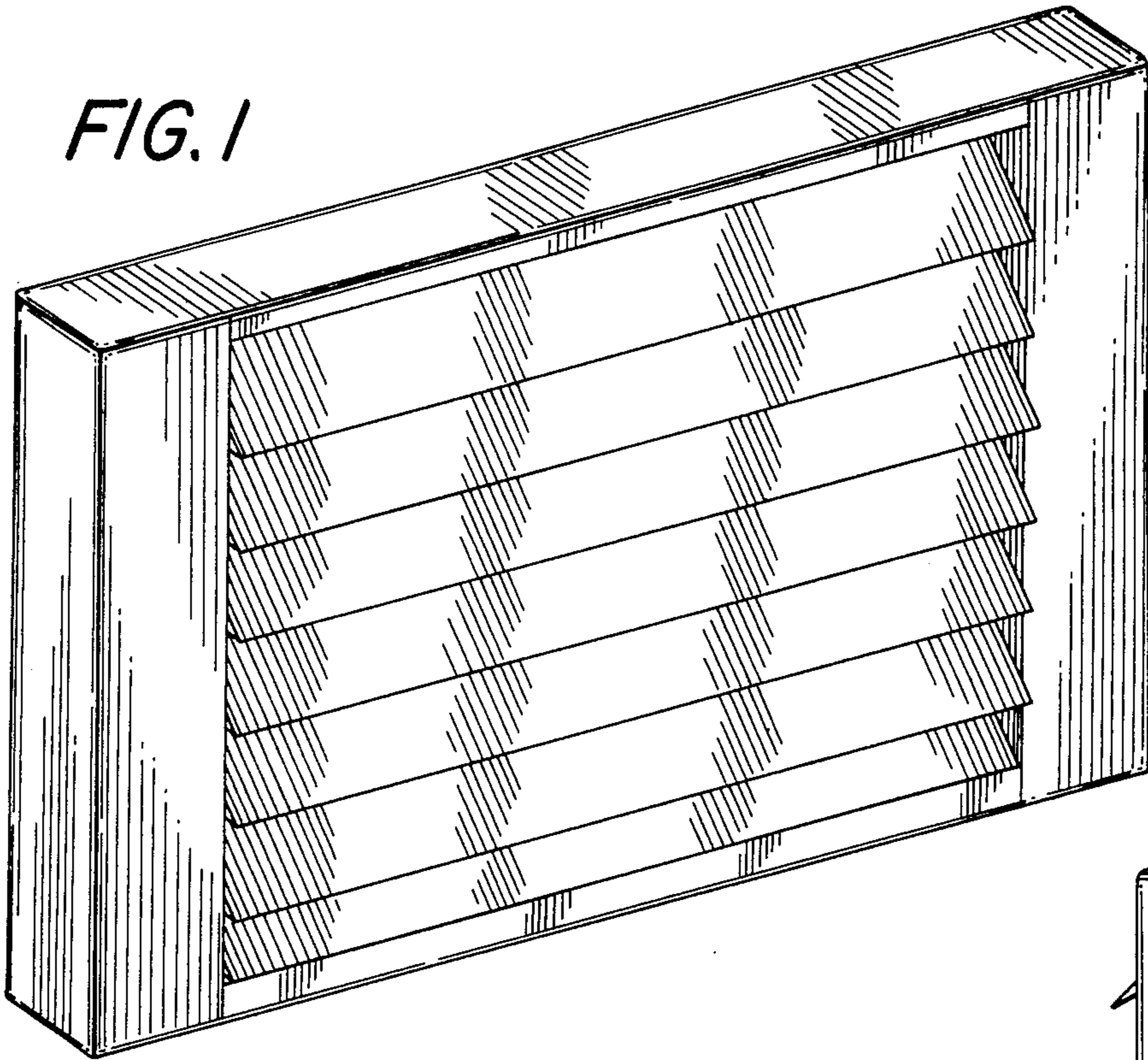
The ornamental design for an electric radiant space heater, as shown and described.

DESCRIPTION

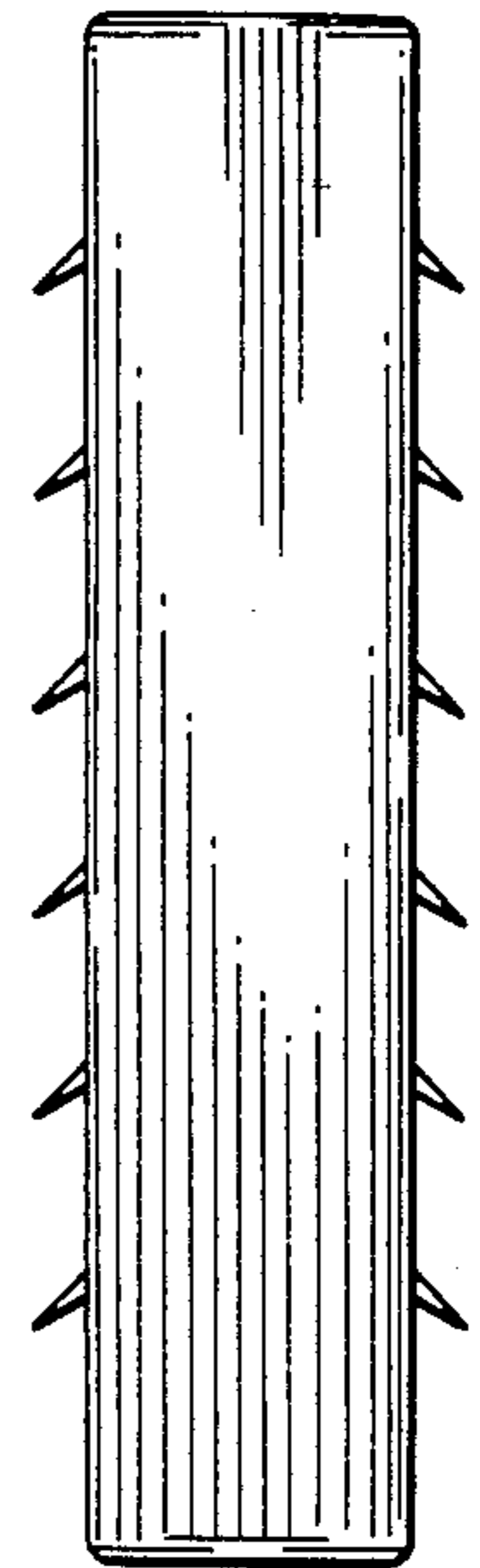
FIG. 1 is a front perspective view of an electric radiant space heater embodying our design; FIG. 2 is a side elevational view thereof; FIG. 3 is a top plan view thereof; FIG. 4 is a bottom plan view thereof. The side of the heater opposite that viewed in FIG. 1 is the same in appearance as FIG. 1, as the same is suggested in FIGS. 2, 3 and 4.



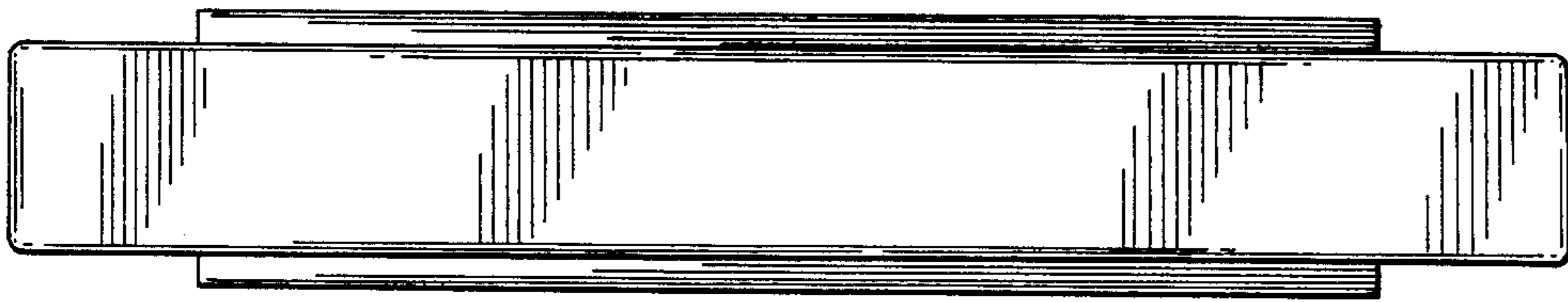
*FIG. 1*



*FIG. 2*



*FIG. 3*



*FIG. 4*

