

[54] WOOD BURNING FURNACE

[75] Inventors: Robert G. Ulmer, 182 Kready Ave., Millersville, Pa. 17551; David K. Stoltzfus, Ronks, Pa.

[73] Assignee: Said Robert G. Ulmer by said David K. Stoltzfus

[**] Term: 14 Years

[21] Appl. No.: 669,681

[22] Filed: Mar. 23, 1976

[51] Int. Cl. D23-03

[52] U.S. Cl. D23/92

[58] Field of Search D23/72-122; 126/65, 120, 121, 202; 122/136 R

[56] References Cited

U.S. PATENT DOCUMENTS

567,034 9/1896 Loy D23/86 UX

D. 877	3/1857	Galbraith et al.	D23/105
D. 8,793	11/1875	Bonnet	D23/105
D. 10,923	11/1878	Castle	D23/105
D. 84,156	5/1931	McCarthy	D23/82
D. 238,783	2/1976	Kilham	D23/97

Primary Examiner—James R. Largen
Attorney, Agent, or Firm—John C. Thompson

[57] CLAIM

The ornamental design for wood burning furnace, as shown.

DESCRIPTION

FIG. 1 is a perspective view taken from the front, top and left side of wood burning furnace showing our new design;
FIG. 2 is a perspective view taken from the rear, top and right side thereof;
FIG. 3 is a left side elevational view thereof;
FIG. 4 is a right side elevational view thereof;
FIG. 5 is a front elevational view thereof; and
FIG. 6 is a top plan view thereof.

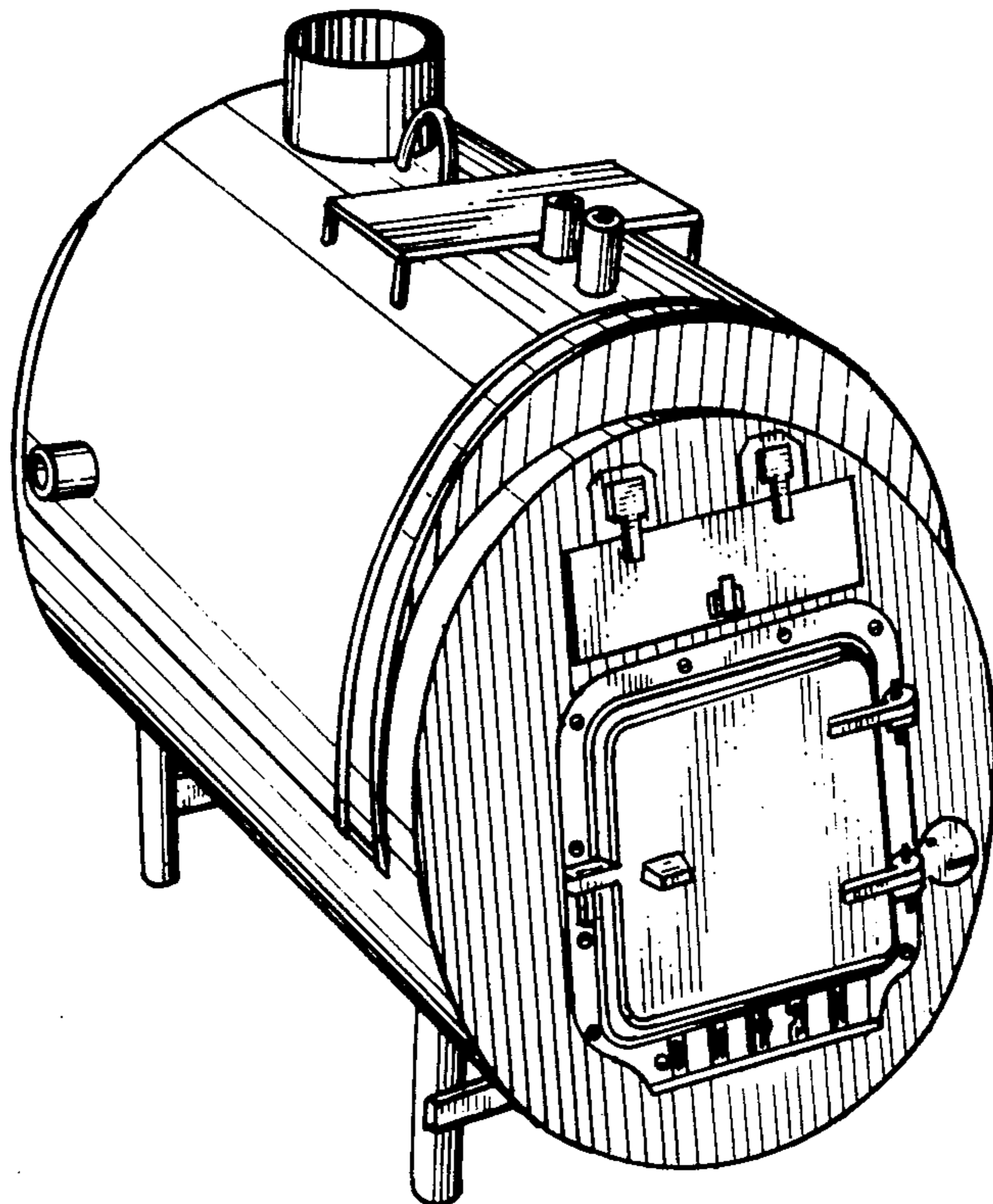


Fig. 1

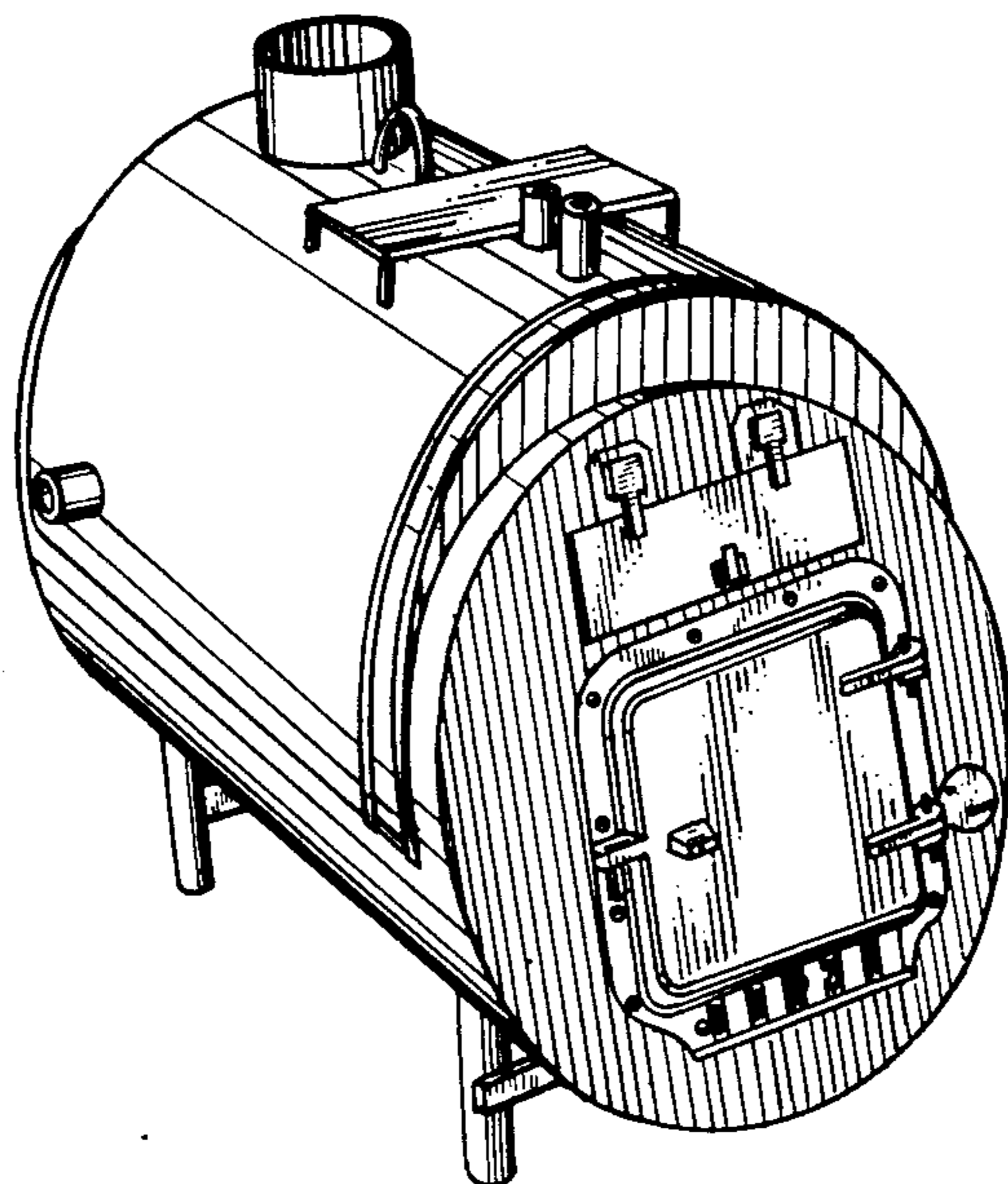
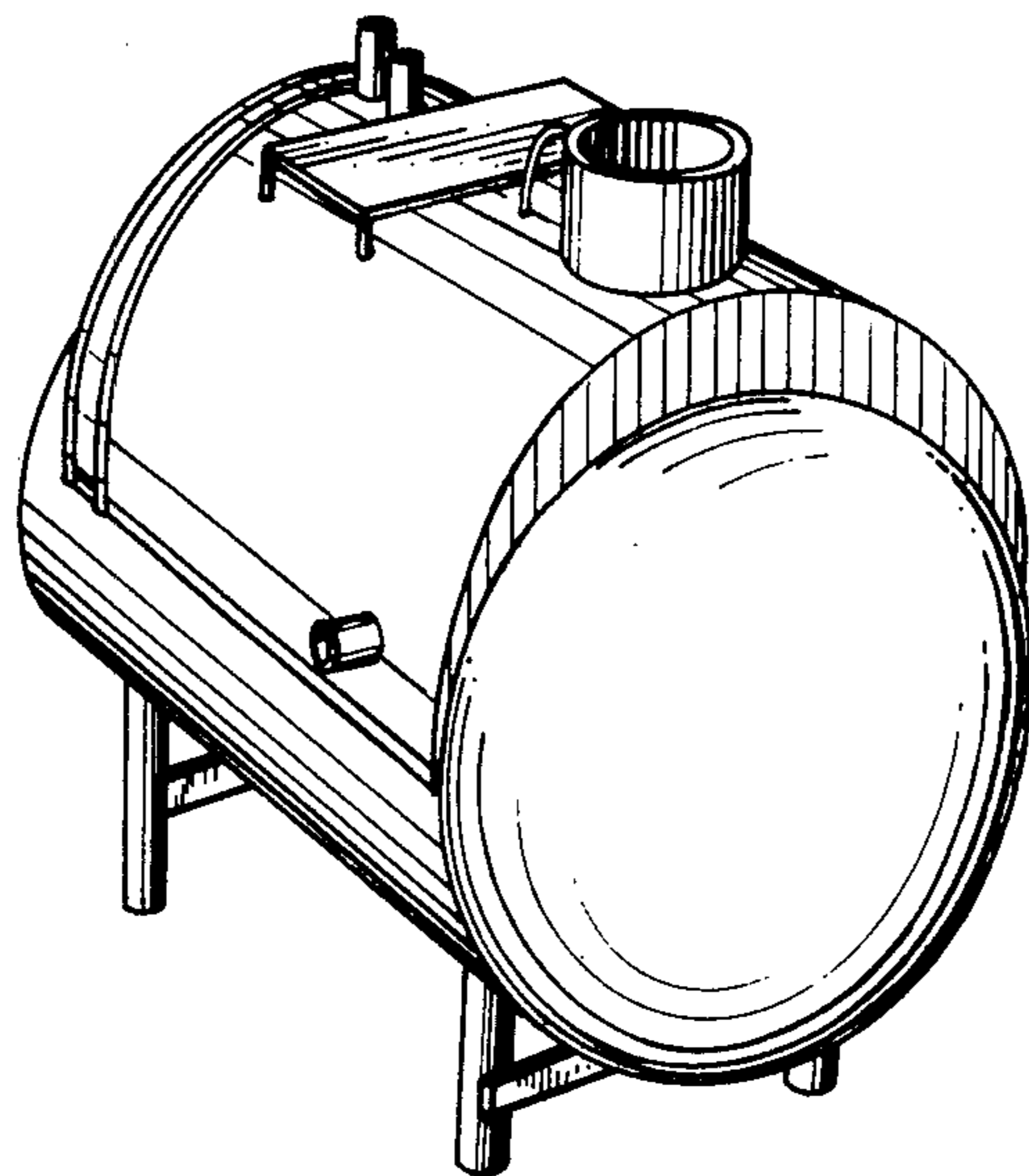


Fig. 2



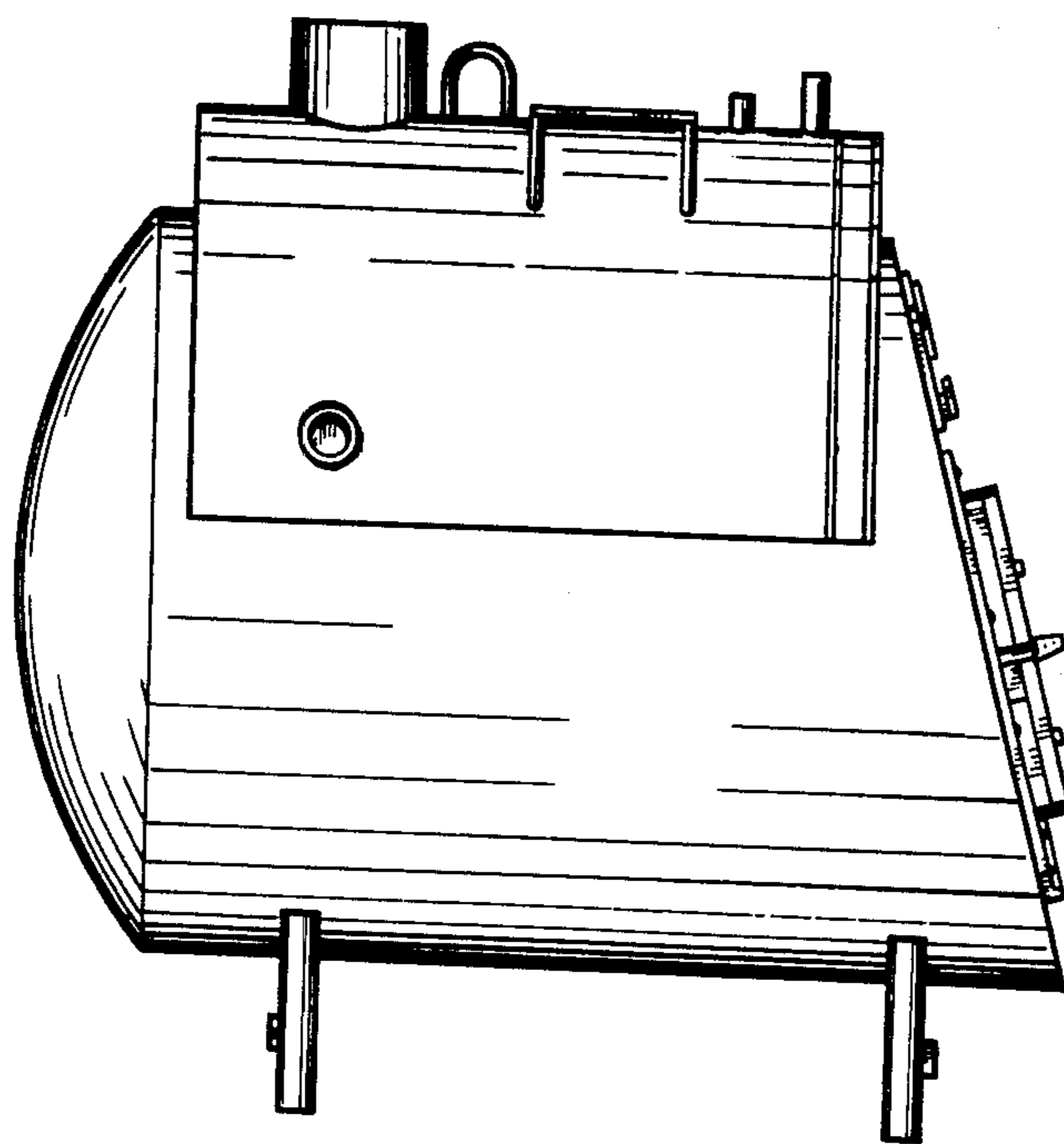


Fig-3

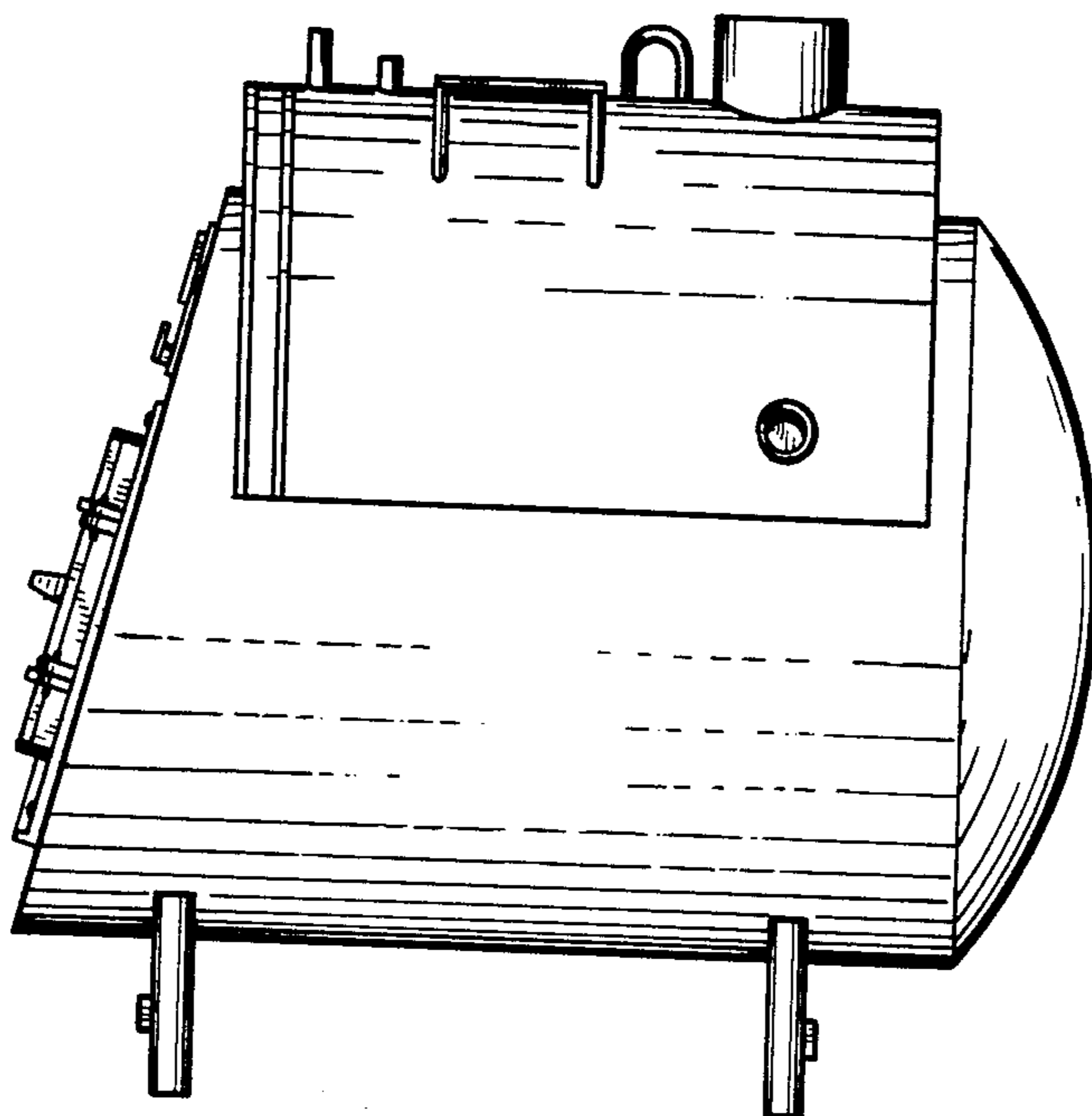


Fig-4

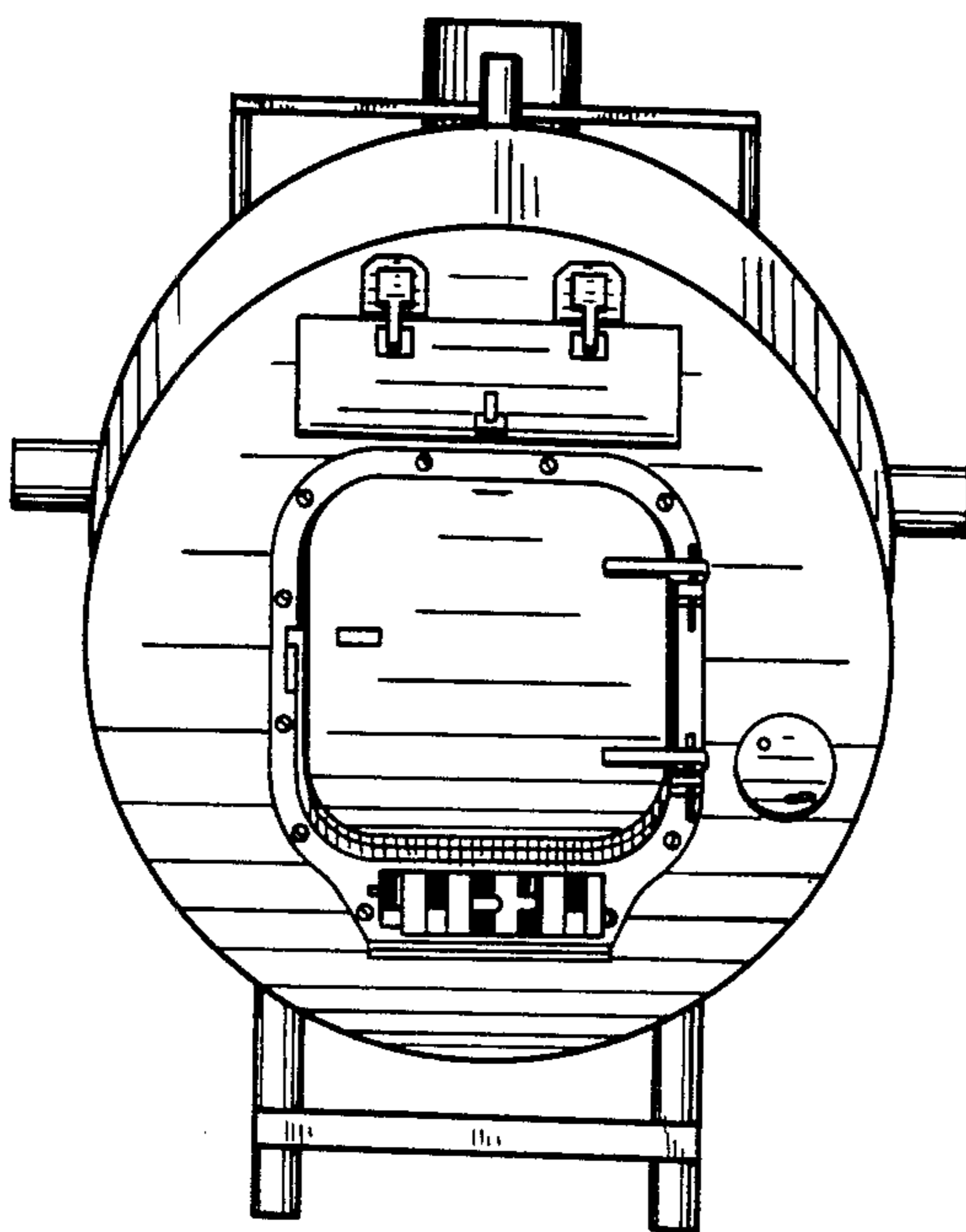


Fig-5

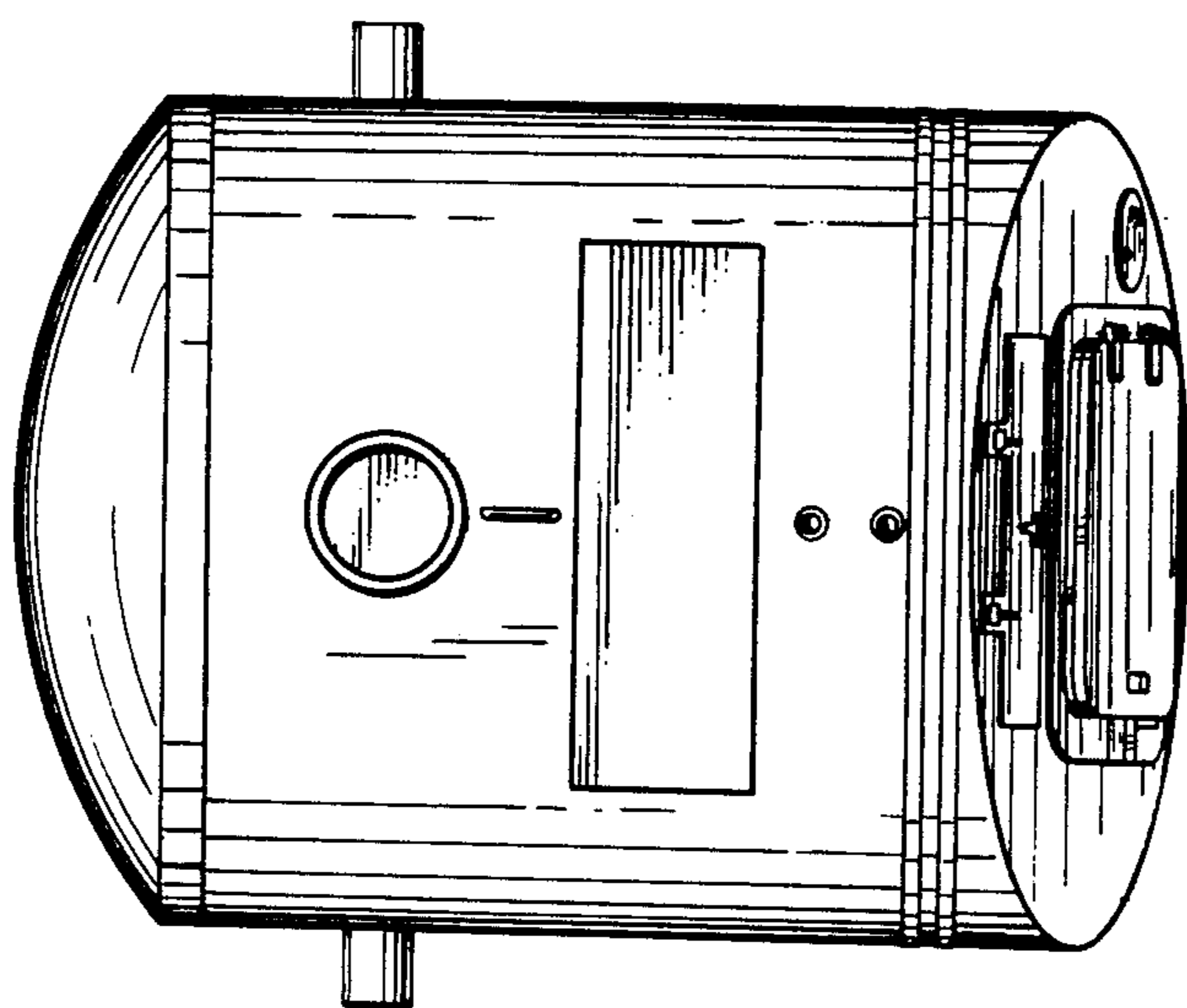


Fig-6