

[54] TRACTOR LOADER VEHICLE

[75] Inventors: Stanley B. Adams, Yorkville; John M. Parks, Peoria; James M. Reisel, Naperville, all of Ill.

[73] Assignee: Caterpillar Tractor Co., Peoria, Ill.

[**] Term: 14 Years

[21] Appl. No.: 675,657

[22] Filed: Apr. 12, 1976

[51] Int. Cl. D15-04

[52] U.S. Cl. D15/25

[58] Field of Search D15/25, 23; 180/44 R, 180/49, 69 R, 69 C, 89 R, 89 A; 296/28 R; 214/140, 773-776

[56] References Cited

FOREIGN PATENT DOCUMENTS

2,515,927 4/1975 Germany 180/69 R

OTHER PUBLICATIONS

New Equipment Digest, May 1974, p. 68, Bucket-Type Loader, top of page.

Rock Products, Feb. 1976, p. 24, Loader Vehicle, center of page.

Primary Examiner—Wallace R. Burke

Assistant Examiner—James M. Gandy

Attorney, Agent, or Firm—William S. Thompson

[57] CLAIM

The ornamental design for a tractor loader vehicle, substantially as shown.

DESCRIPTION

FIG. 1 is a right side elevational view of a tractor loader vehicle embodying our new design.

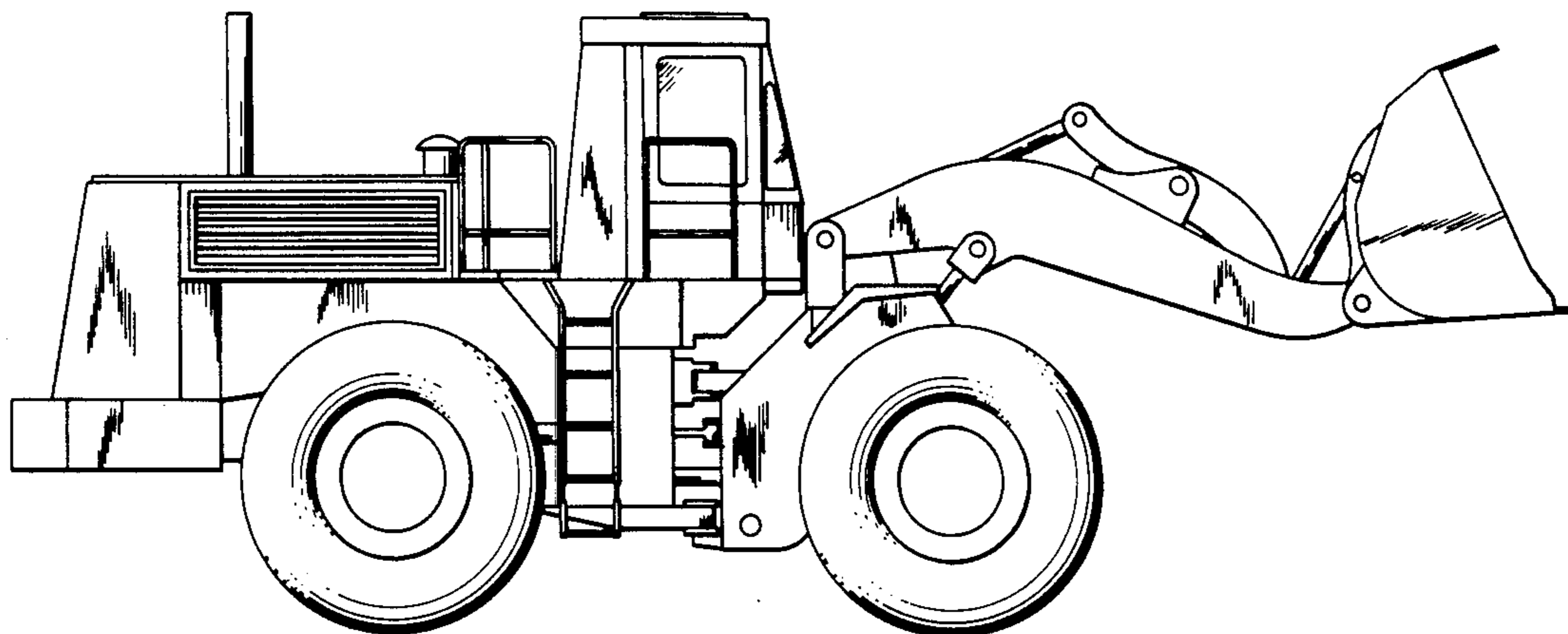
FIG. 2 is a left side elevational view thereof.

FIG. 3 is a front elevational view thereof.

FIG. 4 is a rear elevational view thereof.

FIG. 5 is a top plan view.

FIG. 6 is a bottom plan view thereof.



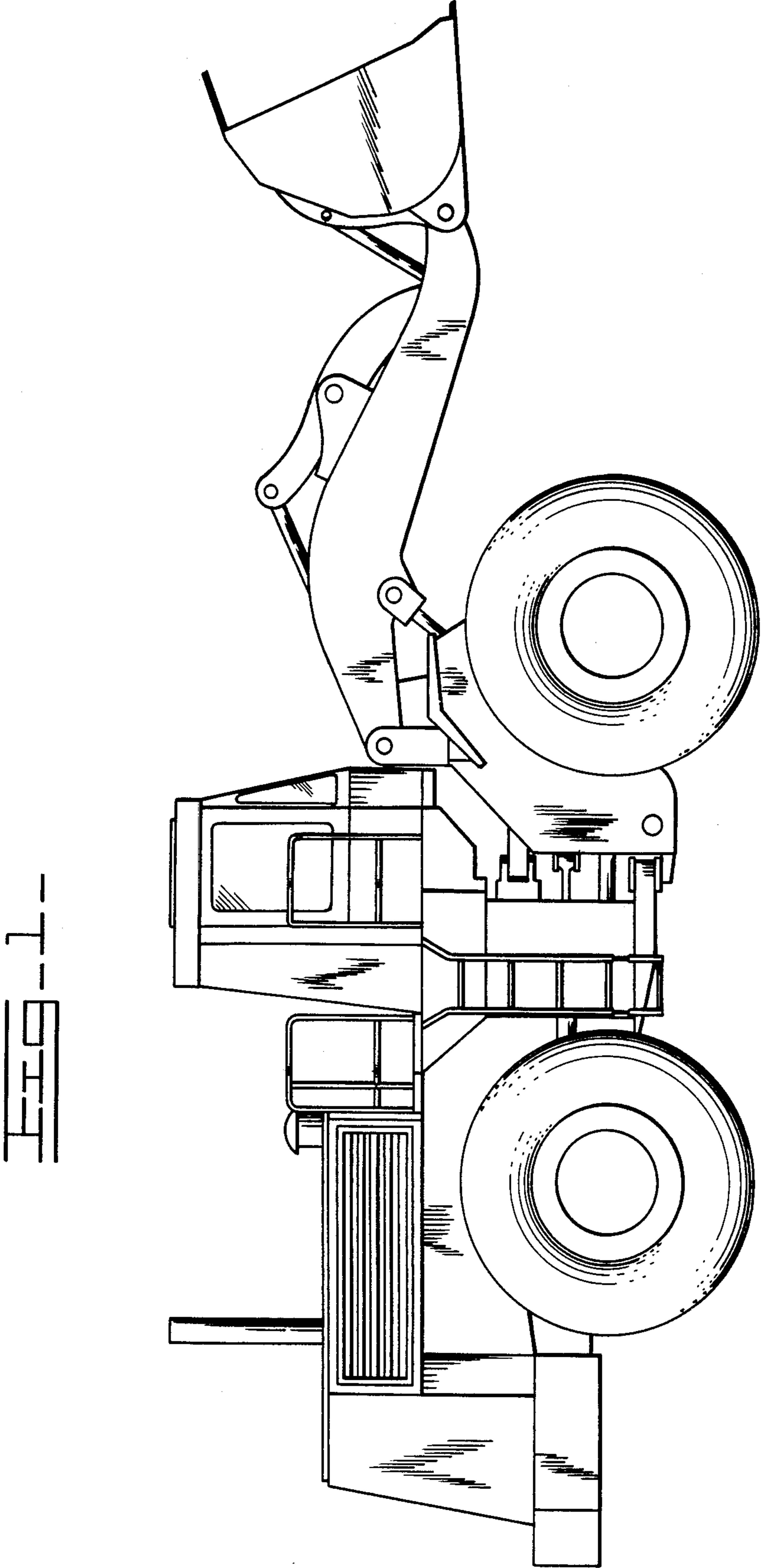


FIG. 2

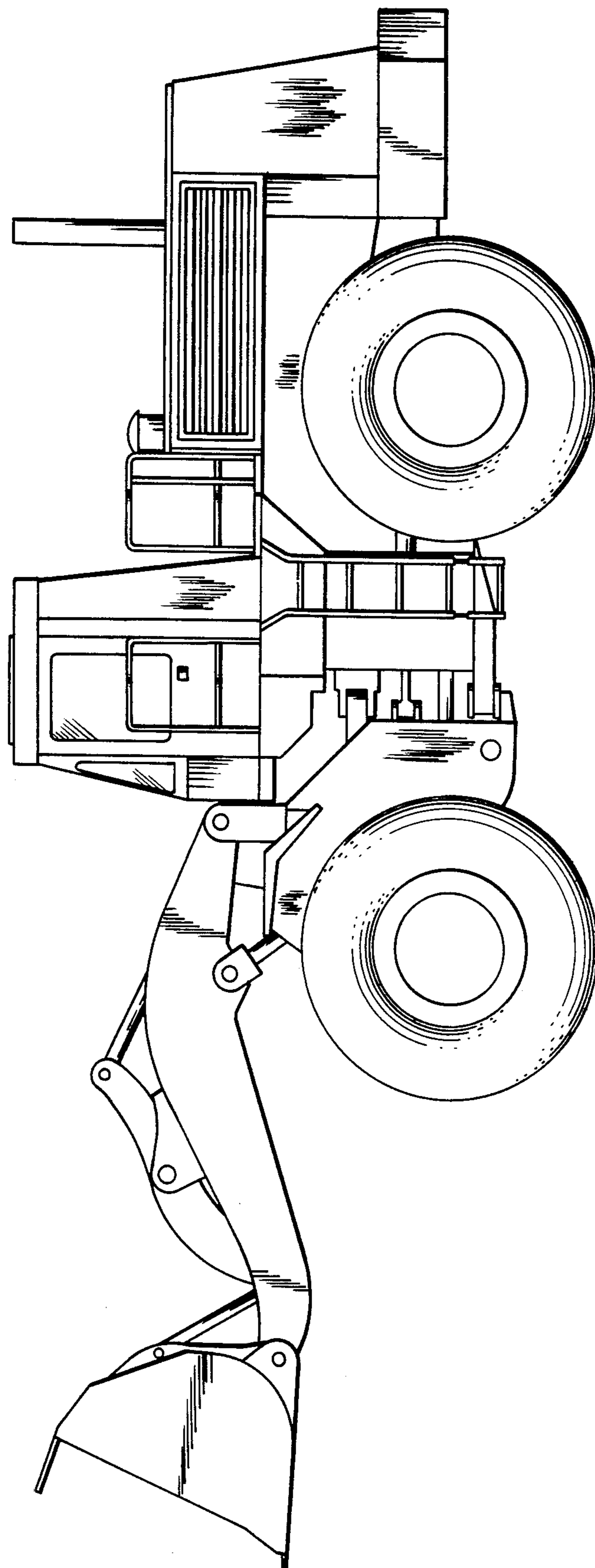


FIG. 3

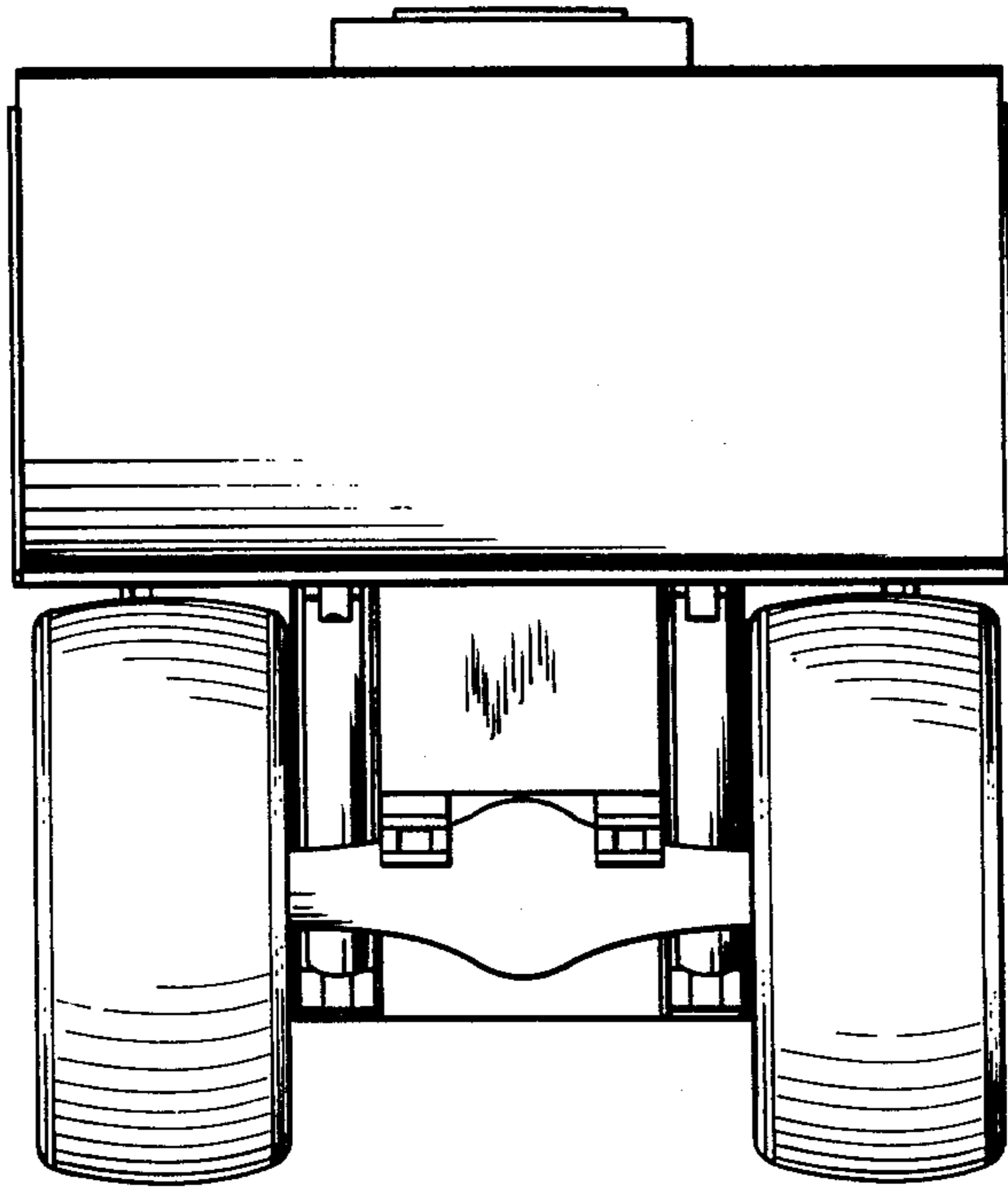


FIG. 4

