

United States Patent [19]

Fitch

[11] **Des. 245,501**

[45] ** **Aug. 23, 1977**

[54] **LIQUID RING PUMP**

[75] Inventor: **James B. Fitch, Marshfield, Mass.**

[73] Assignee: **General Signal Corporation,
Rochester, N.Y.**

[**] Term: **14 Years**

[21] Appl. No.: **674,532**

[22] Filed: **Apr. 7, 1976**

[51] Int. Cl. **D15-02**

[52] U.S. Cl. **D15/7**

[58] Field of Search **D65/1 R, 1 A;
D15/7-9; 217/68, 69**

[56] **References Cited**

U.S. PATENT DOCUMENTS

1,847,586	3/1932	Adams	417/68
2,416,538	2/1947	Nelson	417/68
3,209,987	10/1965	Jennings	417/68

3,846,046	11/1974	Roe et al.	417/68
D. 140,523	3/1945	Sevenson et al.	D65/1 R
D. 195,154	4/1963	Hamilton et al.	D65/1 R
D. 197,999	4/1964	Cordis	D15/7
D. 202,145	8/1965	Schroeder et al.	D15/7

FOREIGN PATENT DOCUMENTS

1,116,339	11/1961	Germany	417/68
-----------	---------	---------------	--------

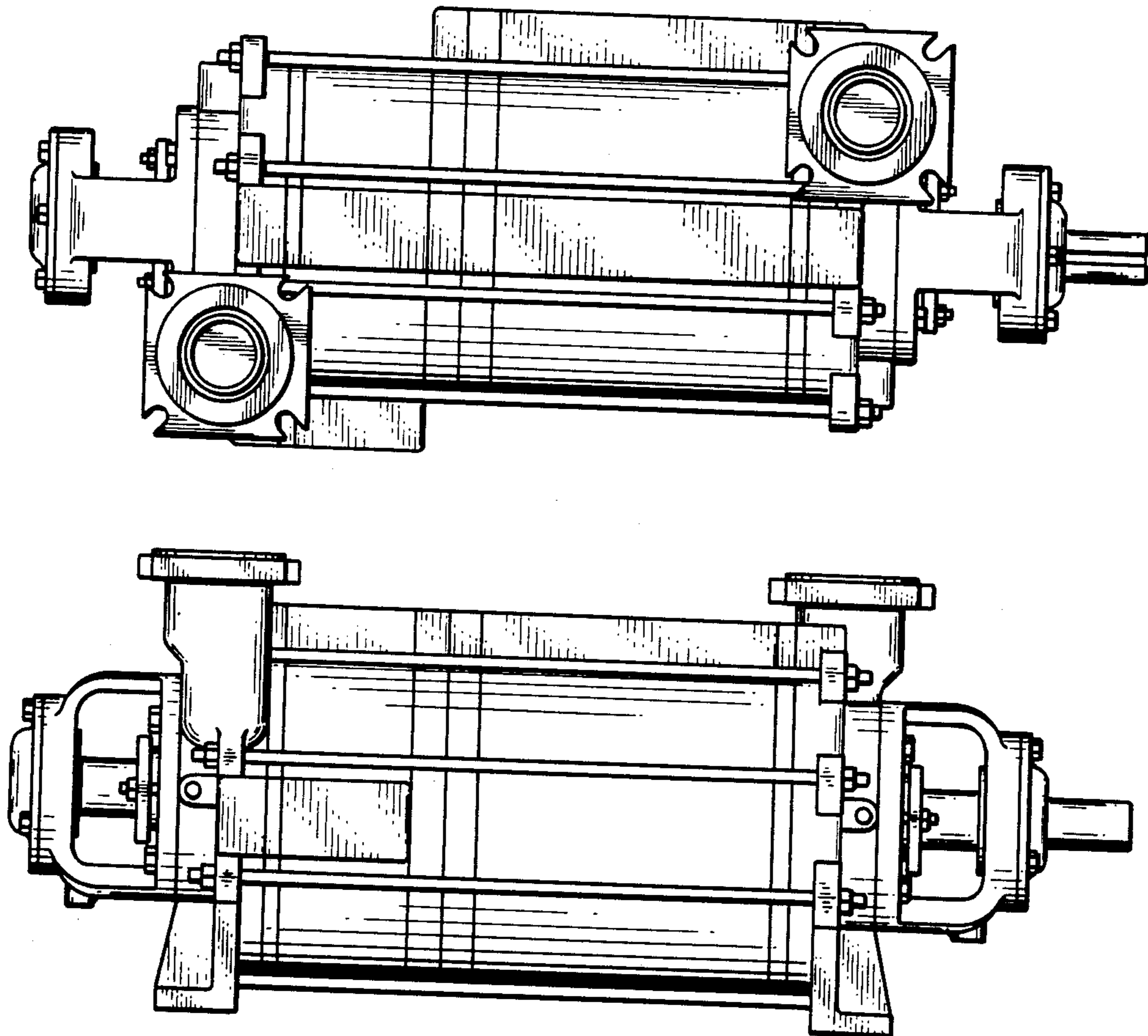
Primary Examiner—James R. Largen
Attorney, Agent, or Firm—Jeffrey S. Mednick

[57] **CLAIM**

The ornamental design for liquid ring pump, as shown.

DESCRIPTION

FIG. 1 is a top plan view of a liquid ring pump showing my new design;
FIG. 2 is a front elevational view thereof;
FIG. 3 is a rear elevational view thereof;
FIG. 4 is a right side elevational view thereof, and
FIG. 5 is a left side elevational view thereof.



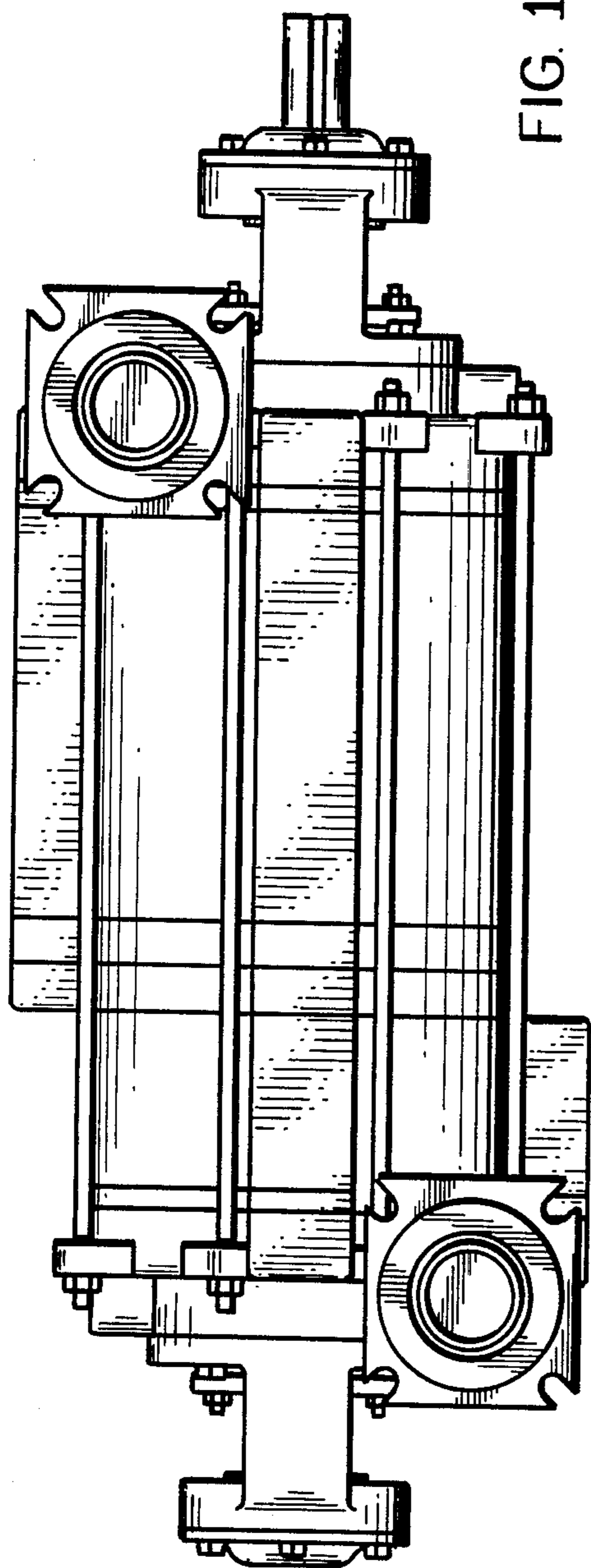


FIG. 1

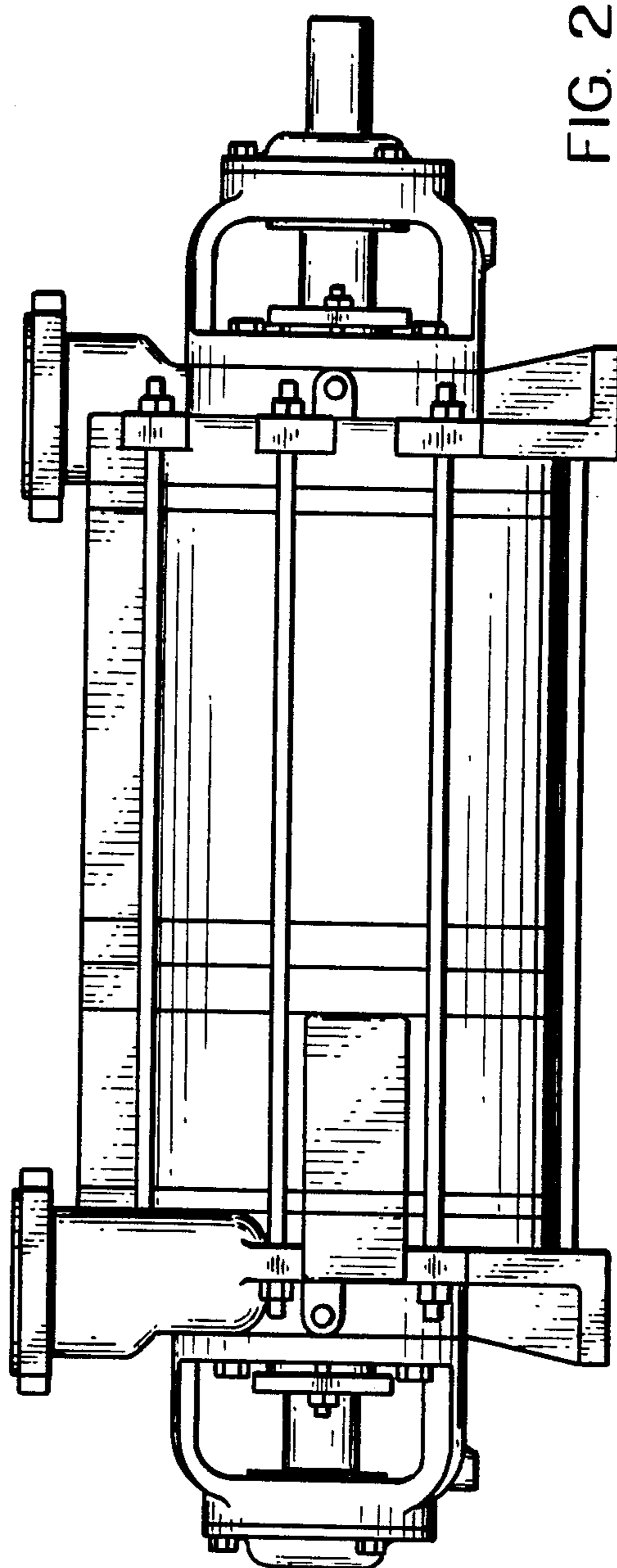


FIG. 2

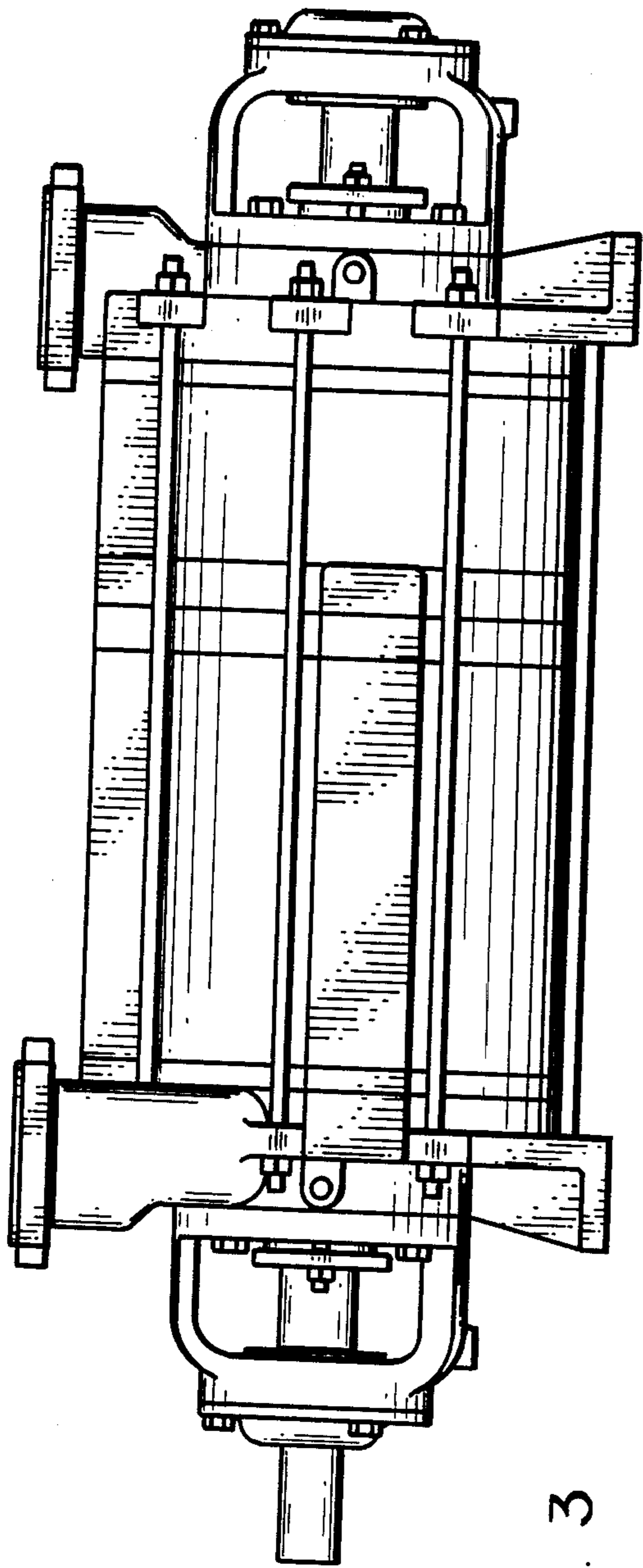


FIG. 3

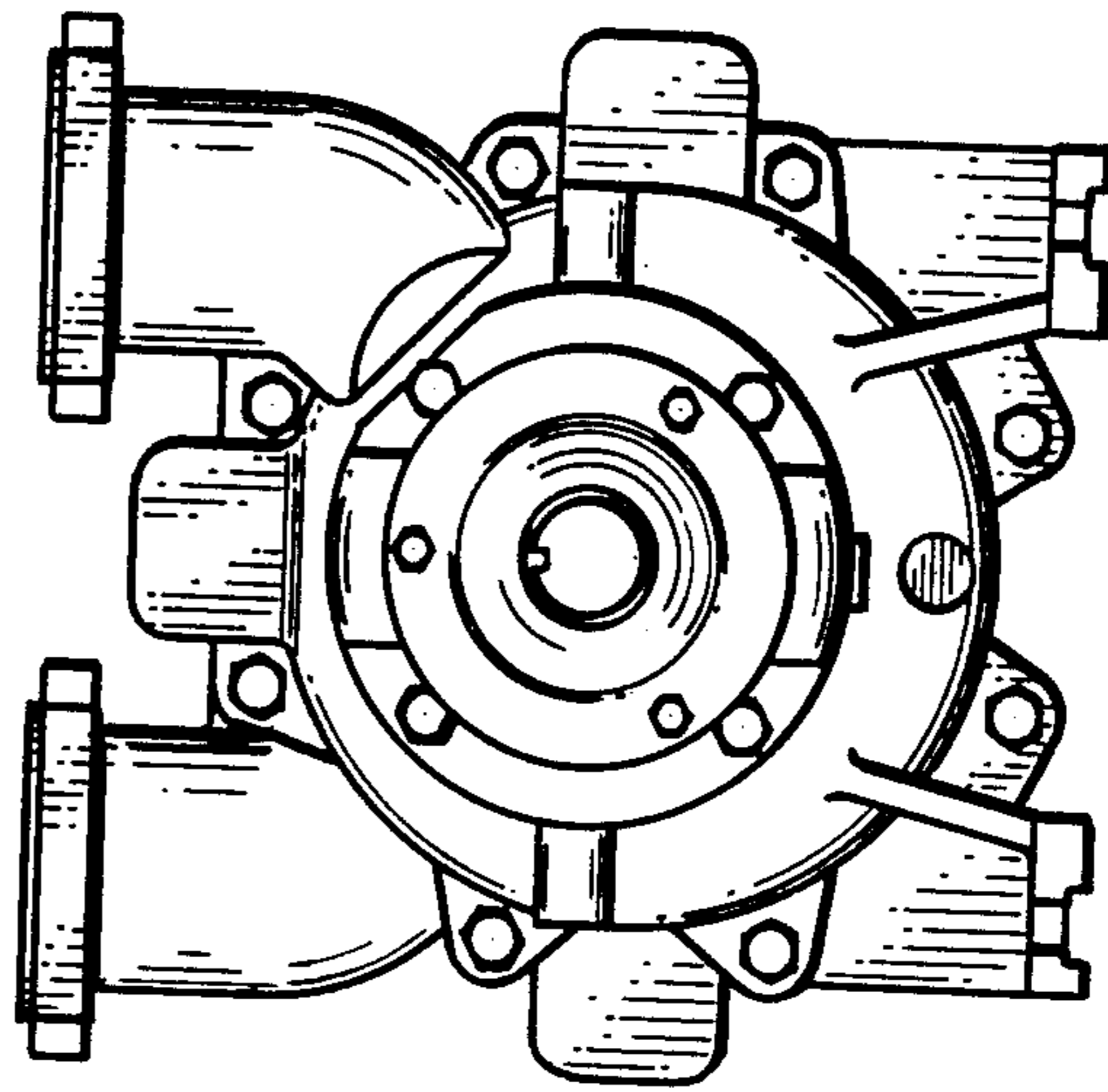


FIG. 4

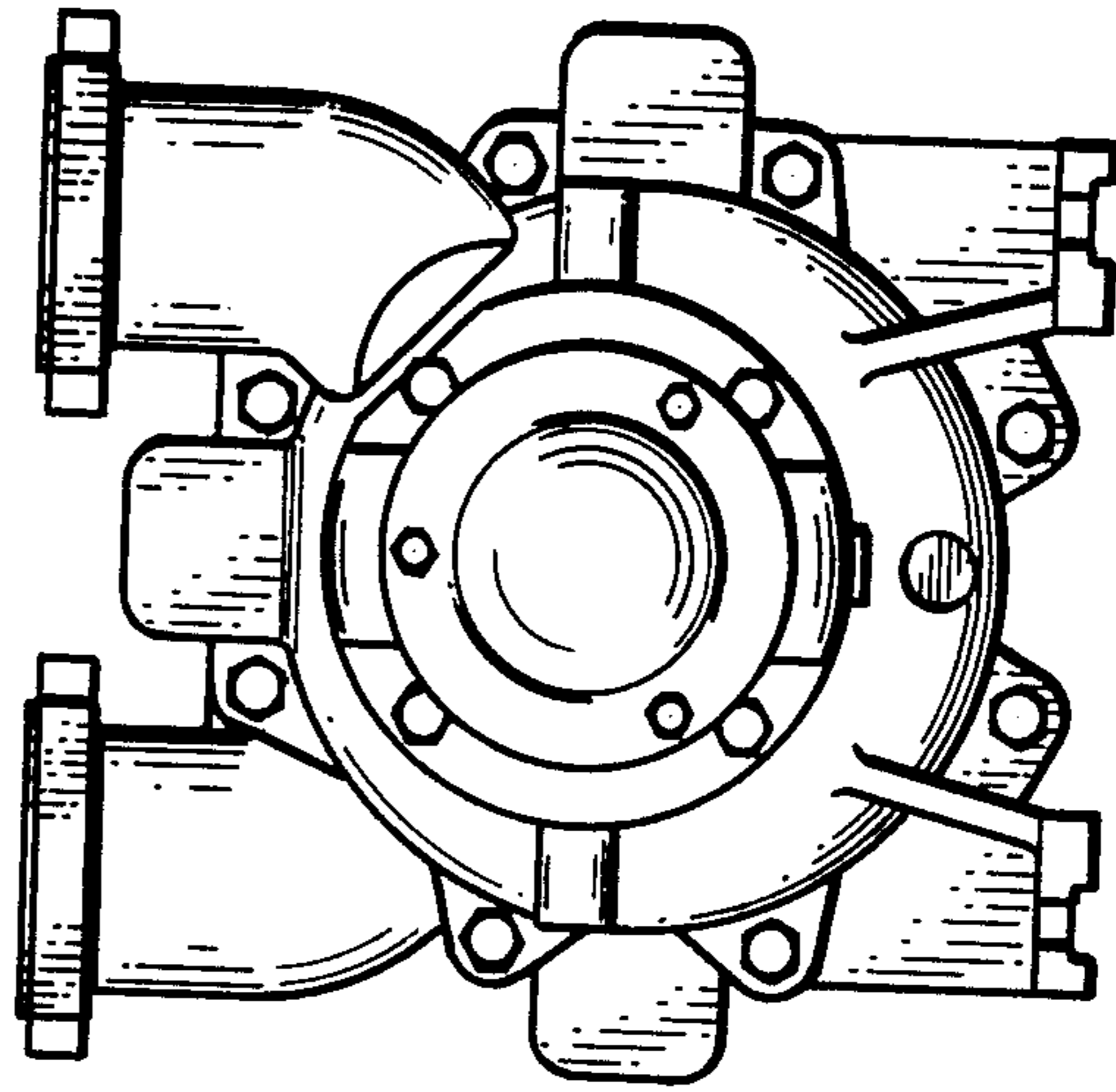


FIG. 5