

[54] HOUSING FOR ELECTRIC MOTOR

[75] Inventor: John C. Andreas, Des Peres, Mo.

[73] Assignee: Gould Inc.

[\*\*] Term: 14 Years

[21] Appl. No.: 662,532

[22] Filed: Mar. 1, 1976

[51] Int. Cl. .... D13-01

[52] U.S. Cl. .... D13/01

[58] Field of Search ..... D26/5 A; 310/270, 272, 310/273

[56] References Cited

U.S. PATENT DOCUMENTS

D. 160,410 10/1950 Monroe ..... D26/5 A

OTHER PUBLICATIONS

Grainger Motorbook, No. 336, Summer 1973, p. 64, Dayton Motor, No. 182T-256T.

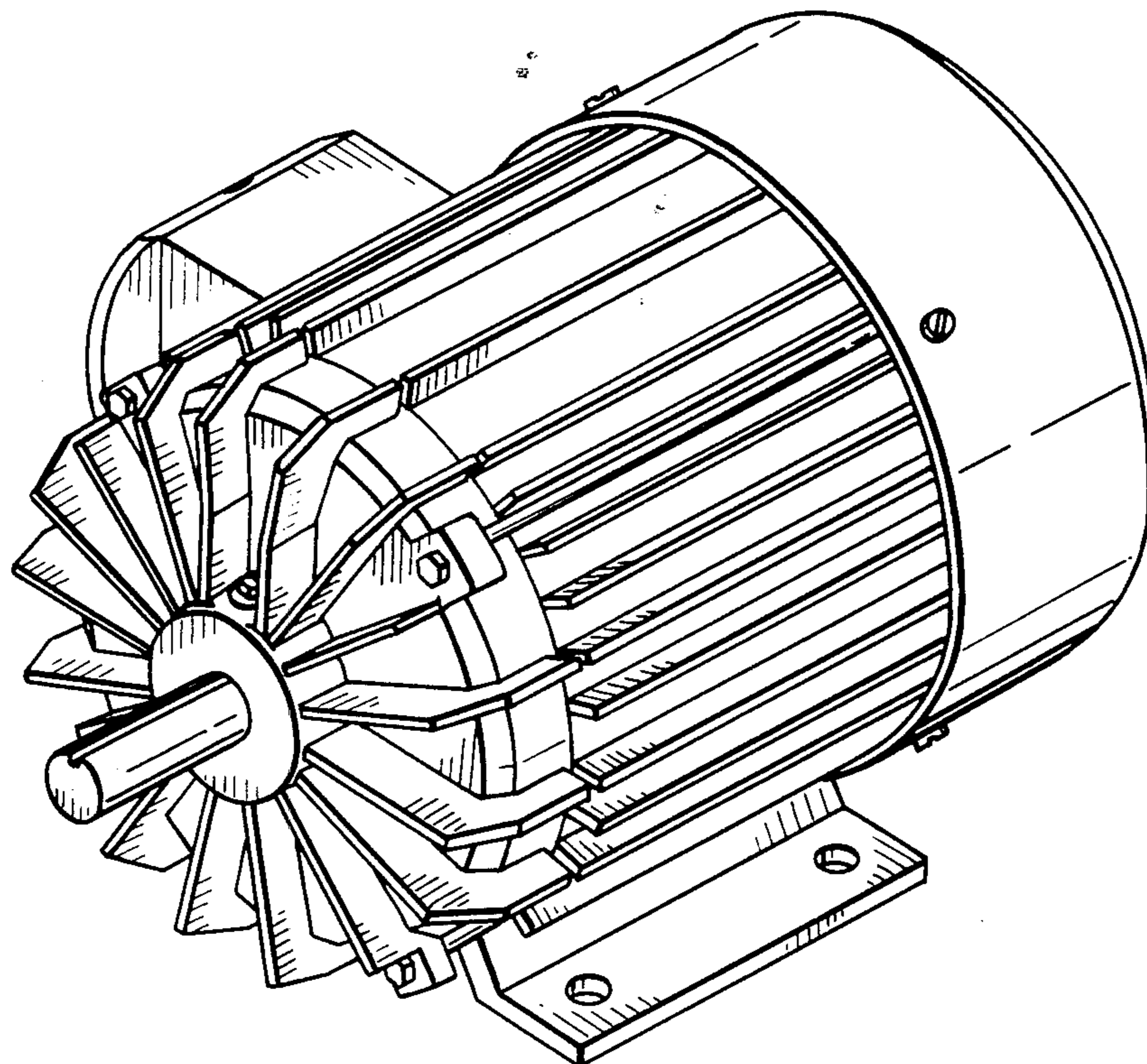
Primary Examiner—Susan J. Lucas  
Attorney, Agent, or Firm—Rey Eilers

[57] CLAIM

The ornamental design for a housing for electric motor, as shown and described.

DESCRIPTION

FIG. 1 is a plan view of a housing for electric motor which embodies my new and ornamental design, FIG. 2 is an elevational view of the right-hand end of the housing for electric motor shown in FIG. 1, FIG. 3 is a side elevational view of the housing for electric motor shown in FIG. 1, FIG. 4 is an elevational view of the left-hand end of the housing for electric motor shown in FIG. 1, and FIG. 5 is a perspective view taken from above and the right in FIG. 1.



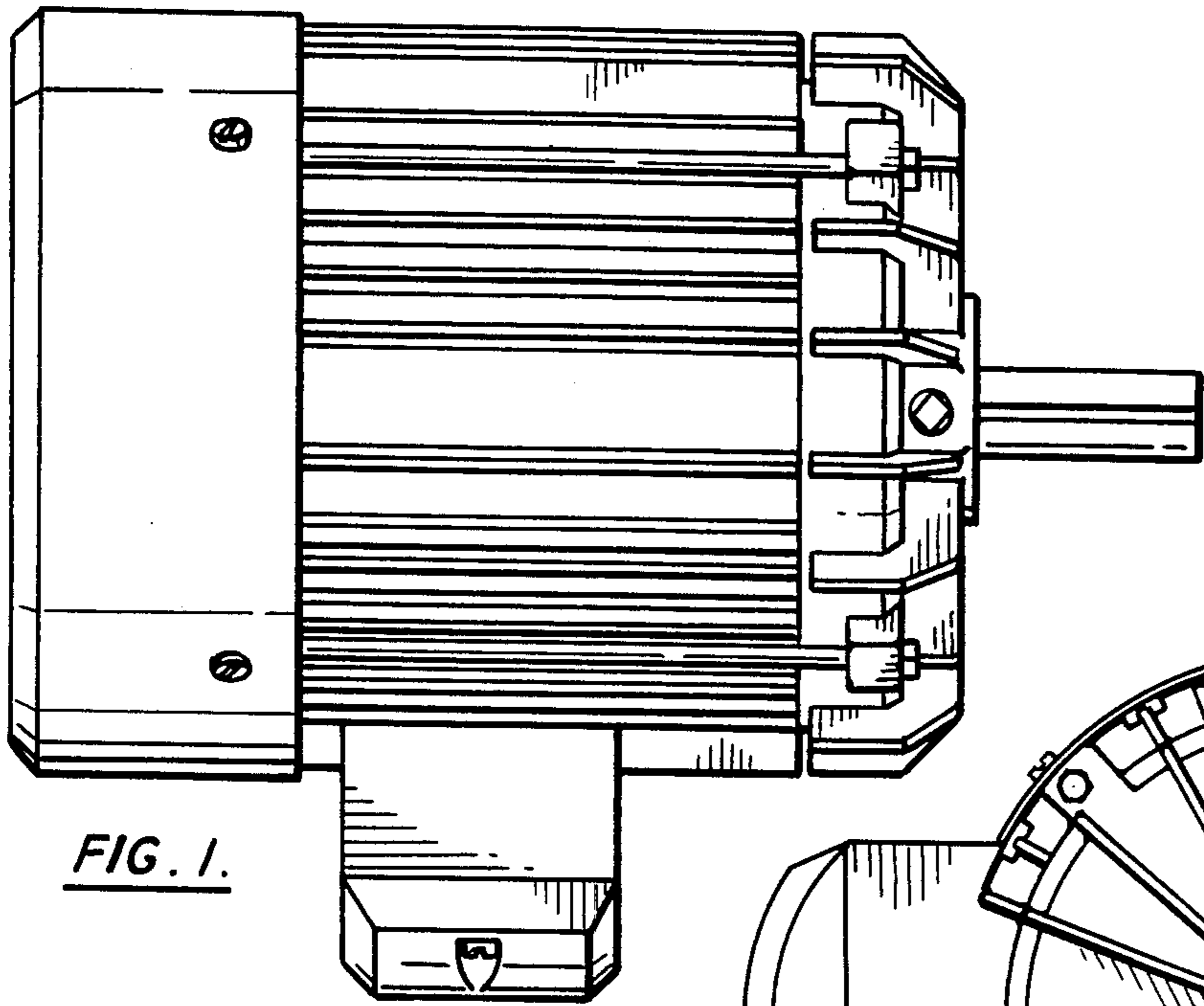


FIG. 1.

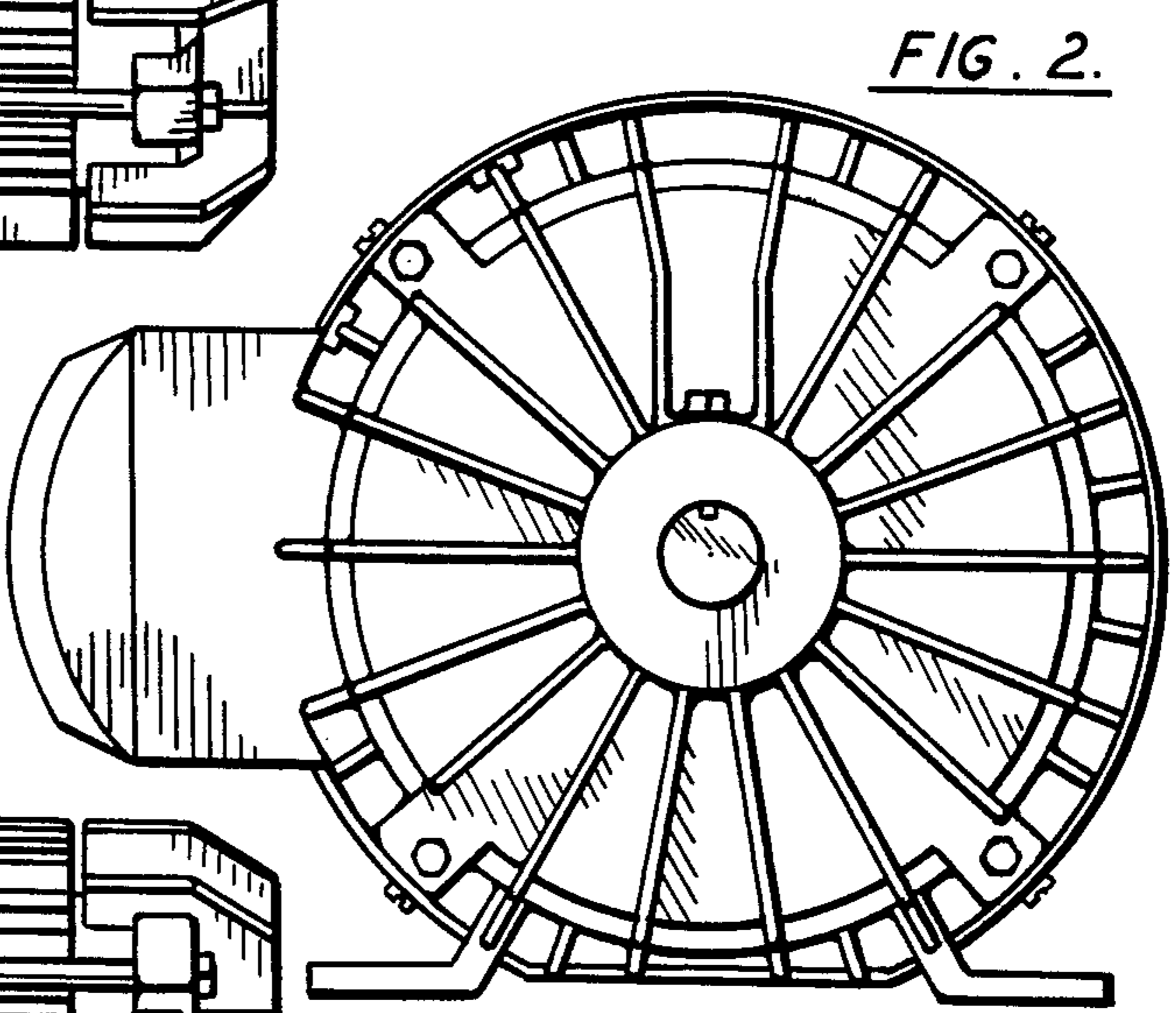


FIG. 2.

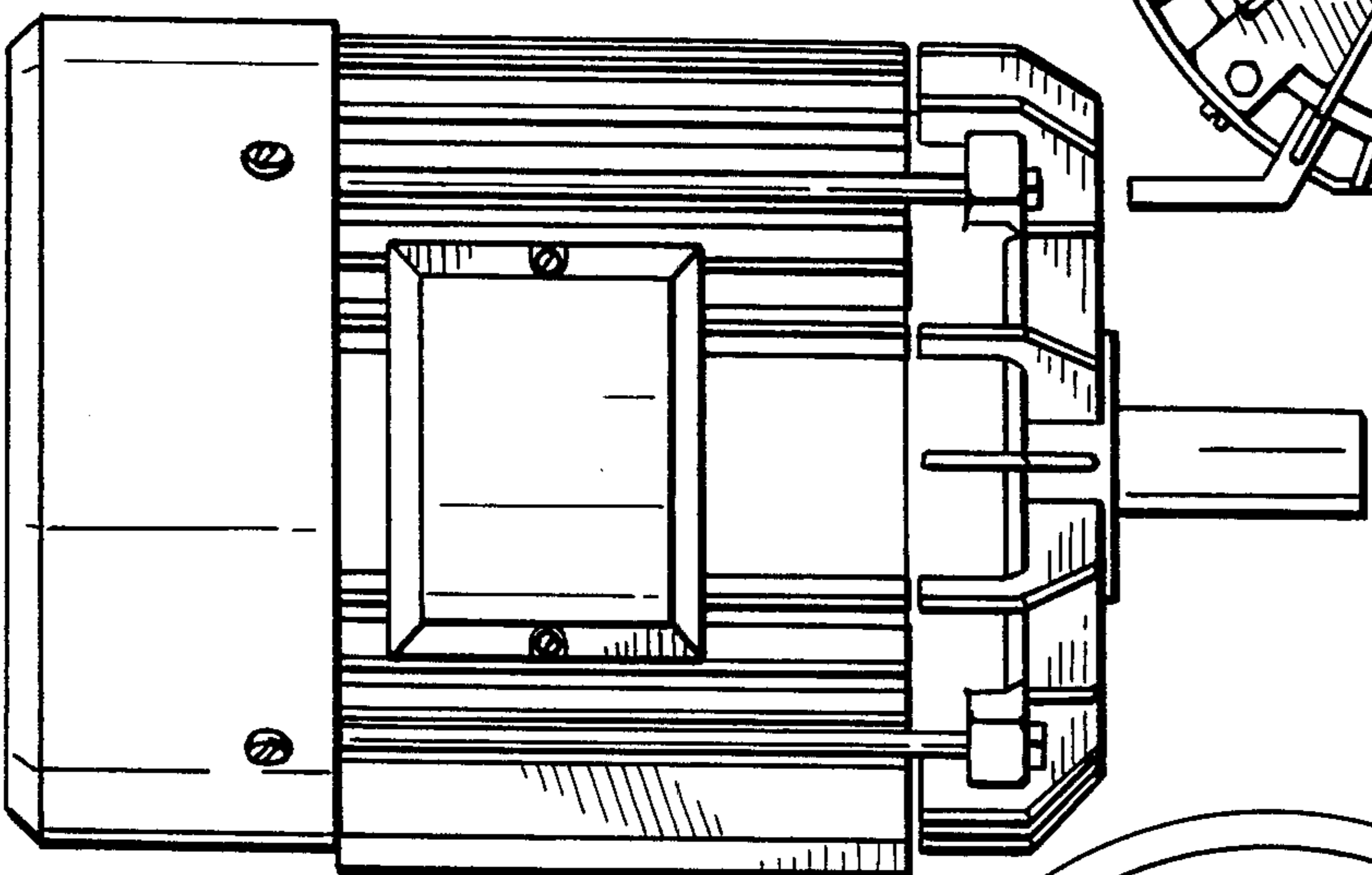


FIG. 3.

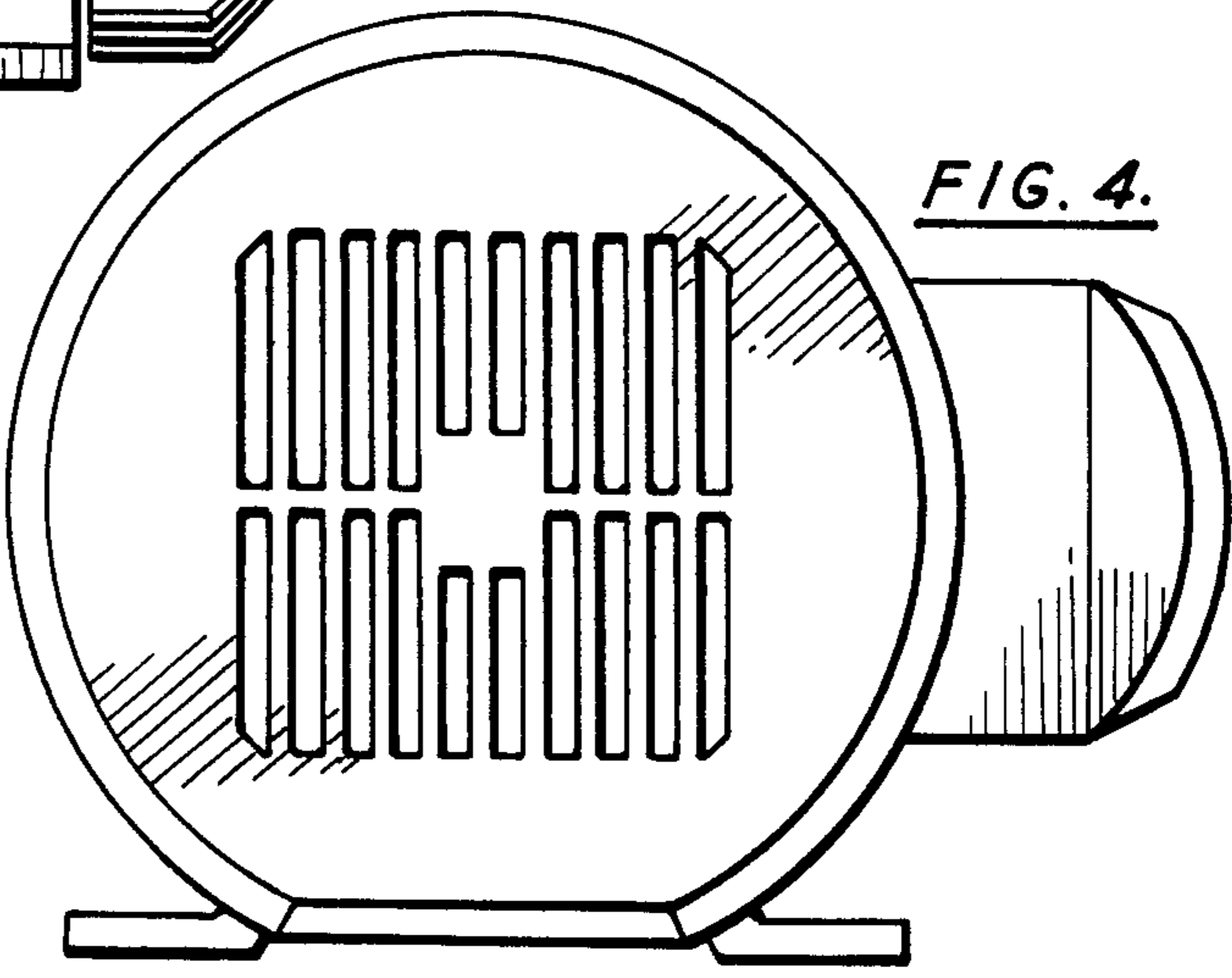


FIG. 4.

FIG. 5.

