

[54] HOUSING FOR ELECTRIC MOTOR

[75] Inventor: John C. Andreas, Des Peres, Mo.

[73] Assignee: Gould Inc.

[**] Term: 14 Years

[21] Appl. No.: 662,531

[22] Filed: Mar. 1, 1976

[51] Int. Cl. D13-01

[52] U.S. Cl. D13/1

[58] Field of Search D26/5 A; 310/270, 272, 310/273

[56] References Cited
PUBLICATIONS

- Grainger's Motorbook, No. 336, Summer 1973, p. 64, Dayton Motor No. 182T-256T.
- Grainger's Motorbook, No. 338, Spring 1974, p. 25, enclosed base-mounted jet pump motor.
- Louis Allen Pacemaker Motors Bulletin 4050, rec'd Oct. 1964, front cover, motor.

Primary Examiner—Susan J. Lucas
Attorney, Agent, or Firm—Rey Eilers

[57] CLAIM

The ornamental design for a housing for electric motor, as shown and described.

DESCRIPTION

FIG. 1 is a plan view of a housing for electric motor which embodies my new and ornamental design, FIG. 2 is a side elevational view of the housing for electric motor shown in FIG. 1, FIG. 3 is an elevational view of the right-hand end of the housing for electric motor shown in FIG. 1, FIG. 4 is a perspective view, taken from above and from the right-hand end, of the housing for electric motor shown in FIG. 1, FIG. 5 is a perspective view, taken from below and from the right-hand end, of the housing for electric motor shown in FIG. 1, and FIG. 6 is a perspective view of the left-hand end of the housing for electric motor, as that housing is viewed in FIG. 1.

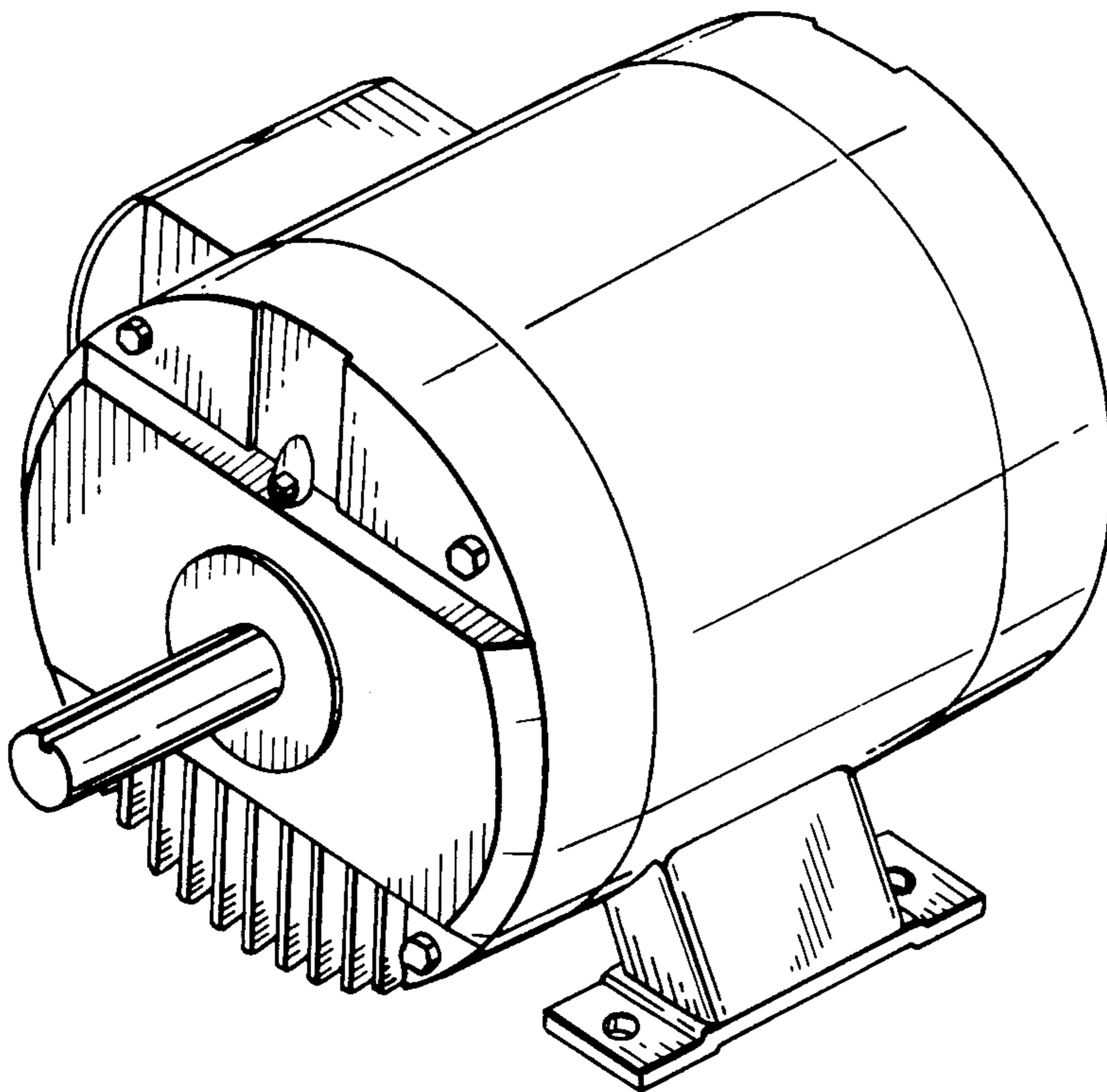


FIG. 1.

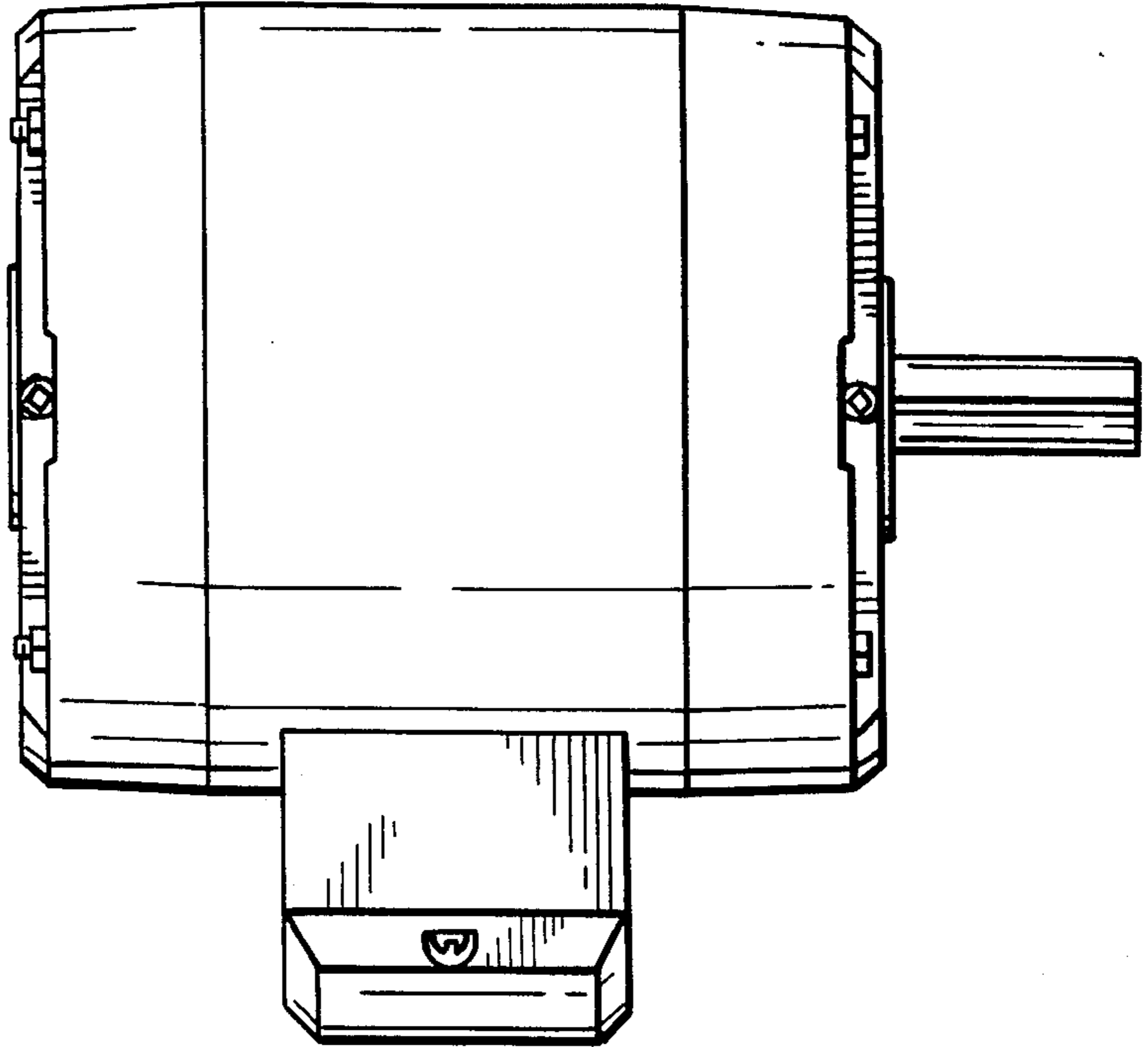


FIG. 2.

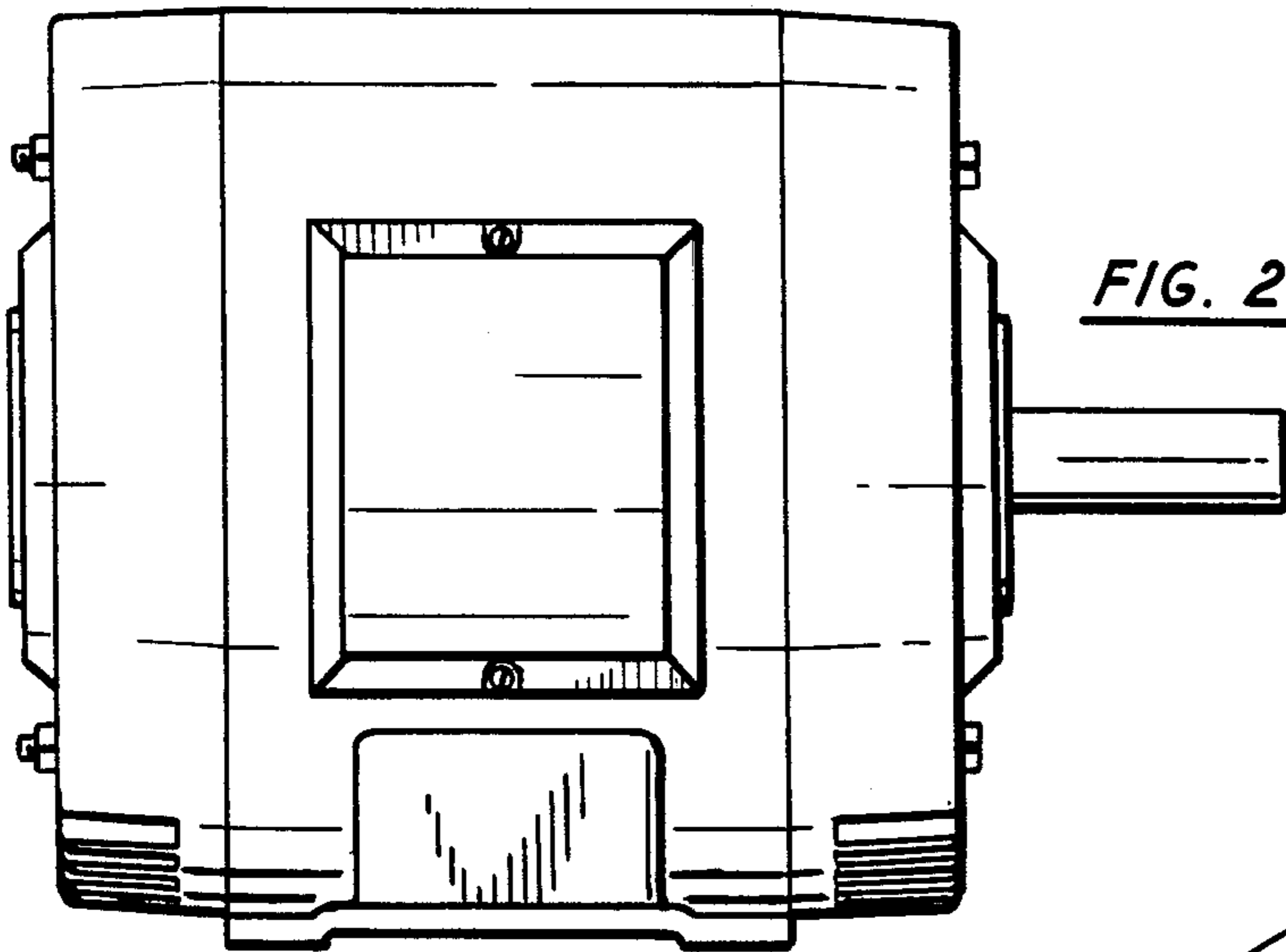
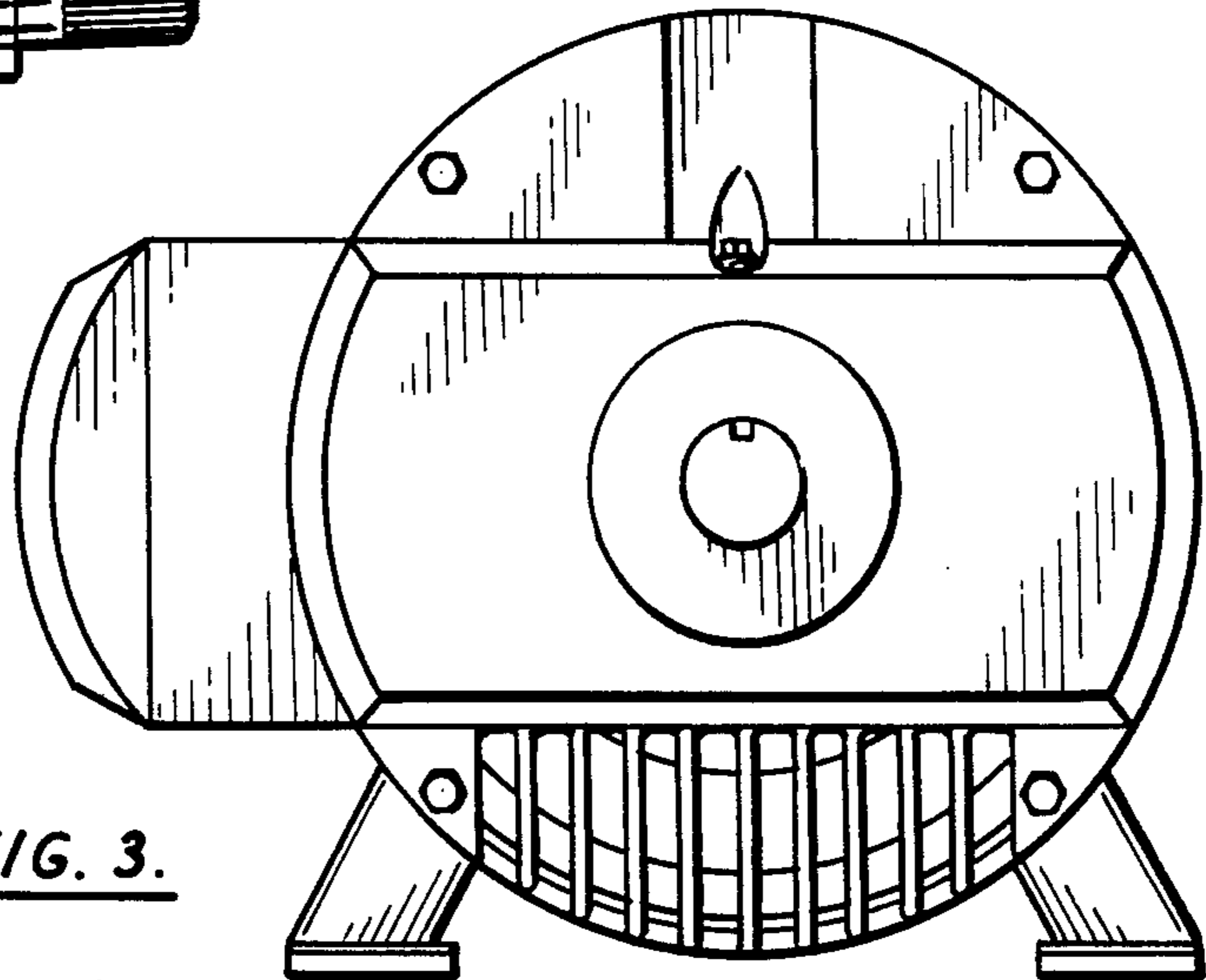


FIG. 3.



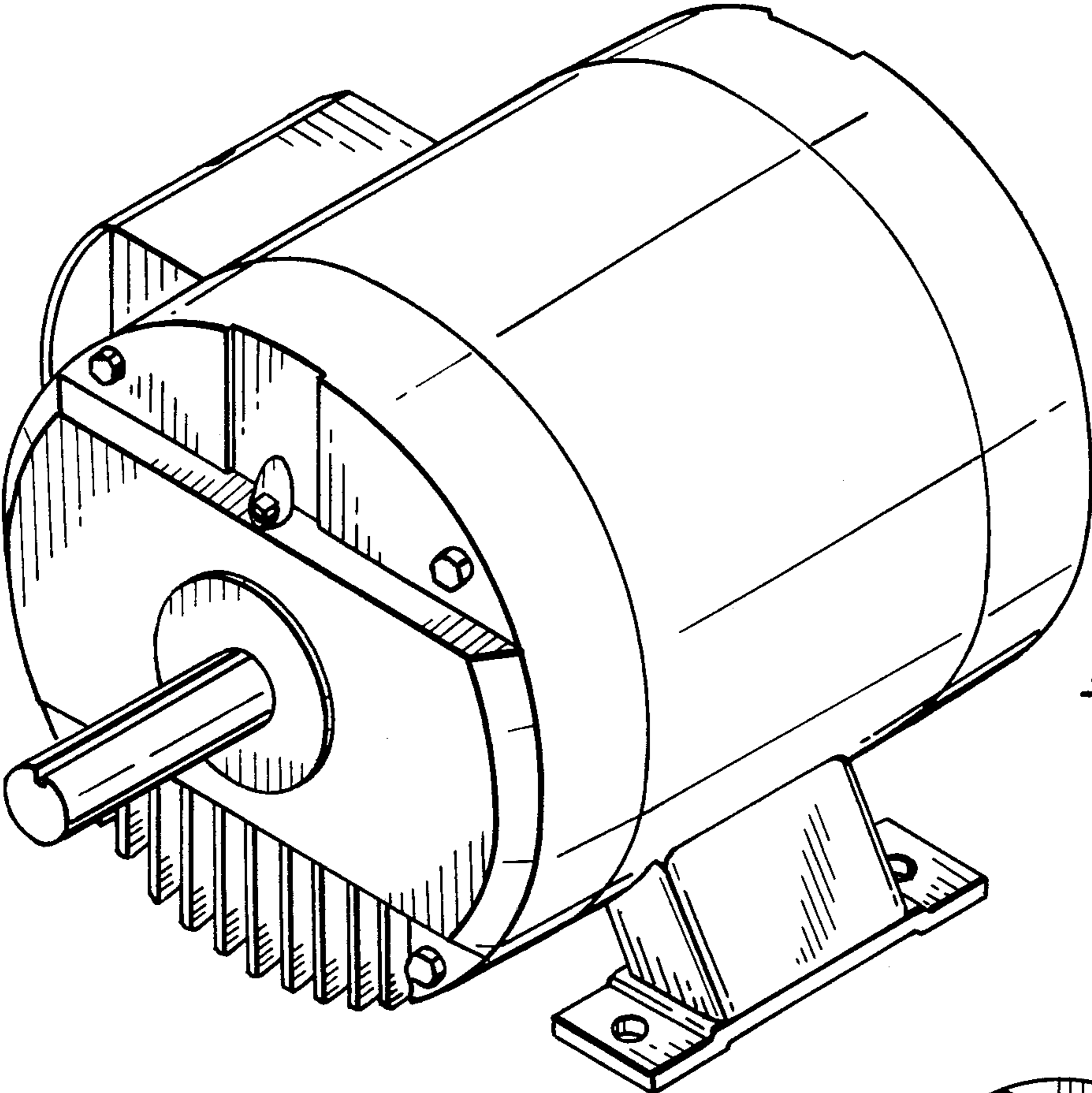


FIG. 4.

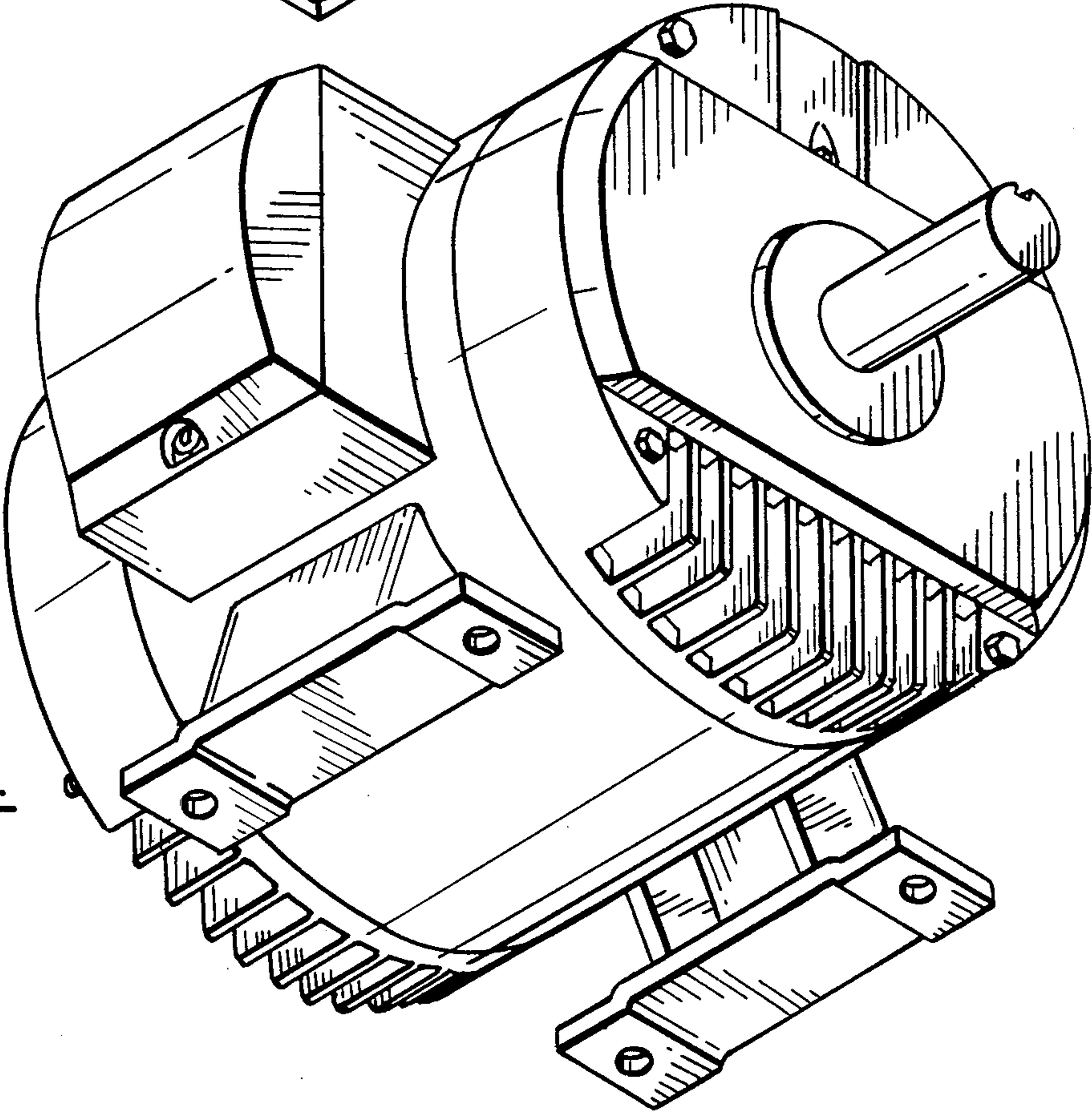


FIG. 5.

FIG. 6.

