

# United States Patent [19]

Ritch

[11] **Des. 245,497**

[45] **\*\* Aug. 23, 1977**

- [54] **LICENSE PLATE HOLDER**  
[76] **Inventor: Donald W. Ritch, 1531 Burgandy, Streamwood, Ill. 60103**  
[\*\*] **Term: 7 Years**  
[21] **Appl. No.: 645,091**  
[22] **Filed: Jan. 19, 1976**  
[51] **Int. Cl. .... D12-16**  
[52] **U.S. Cl. .... D12/193**  
[58] **Field of Search .... D12/193; 40/200, 209, 40/10 A, 10 B**

- [56] **References Cited**  
**U.S. PATENT DOCUMENTS**  
1,526,490 2/1925 Borreson ..... 40/10 A

1,741,608 12/1929 Bronner ..... 40/10 A  
2,211,085 8/1940 Thomas ..... 40/209

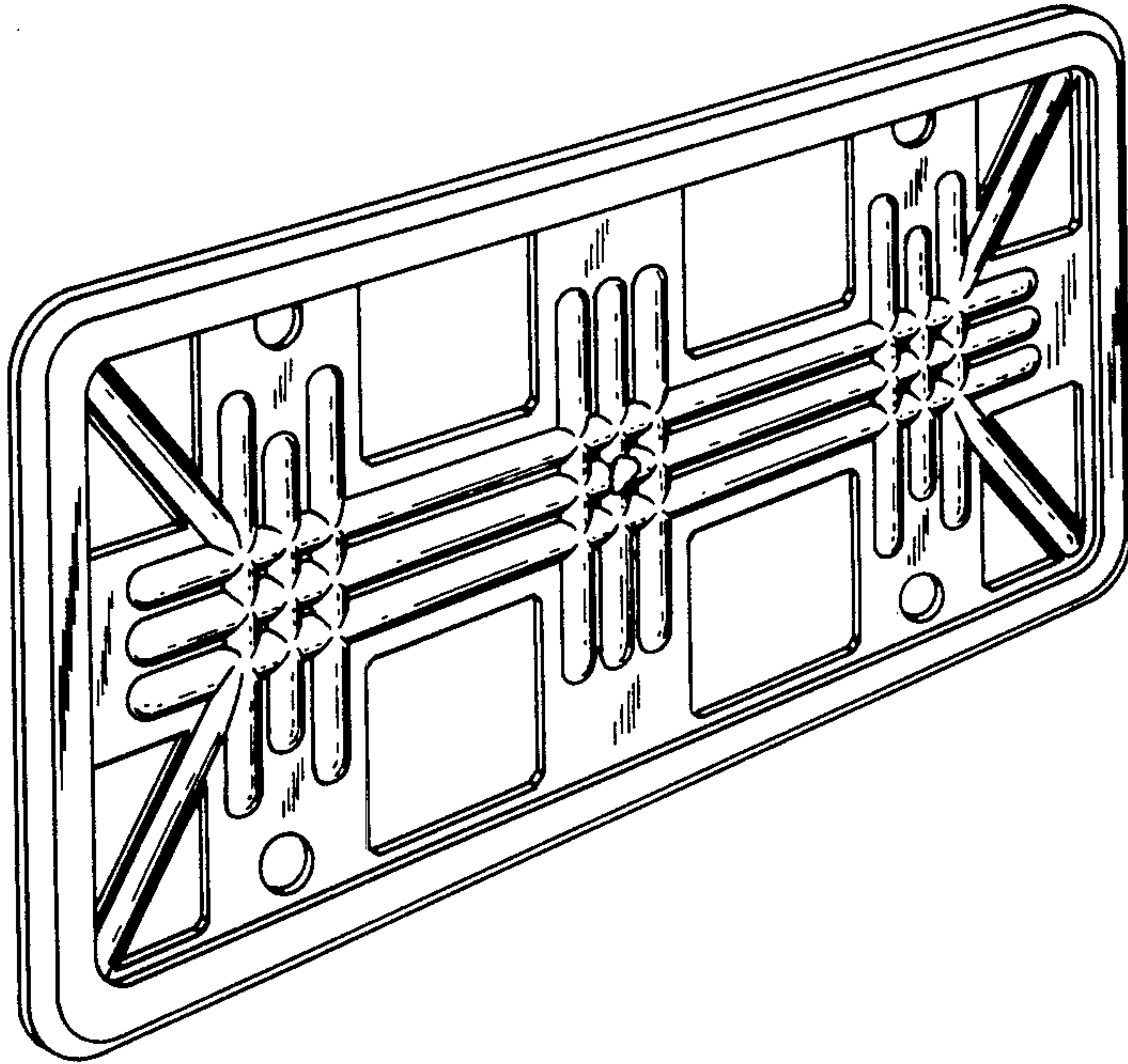
*Primary Examiner*—Wallace R. Burke  
*Assistant Examiner*—James M. Gandy  
*Attorney, Agent, or Firm*—John A. Dienner

[57] **CLAIM**

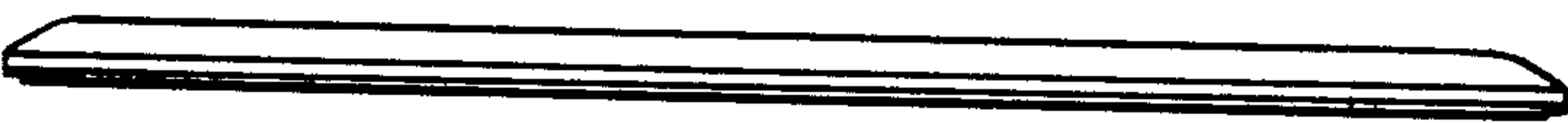
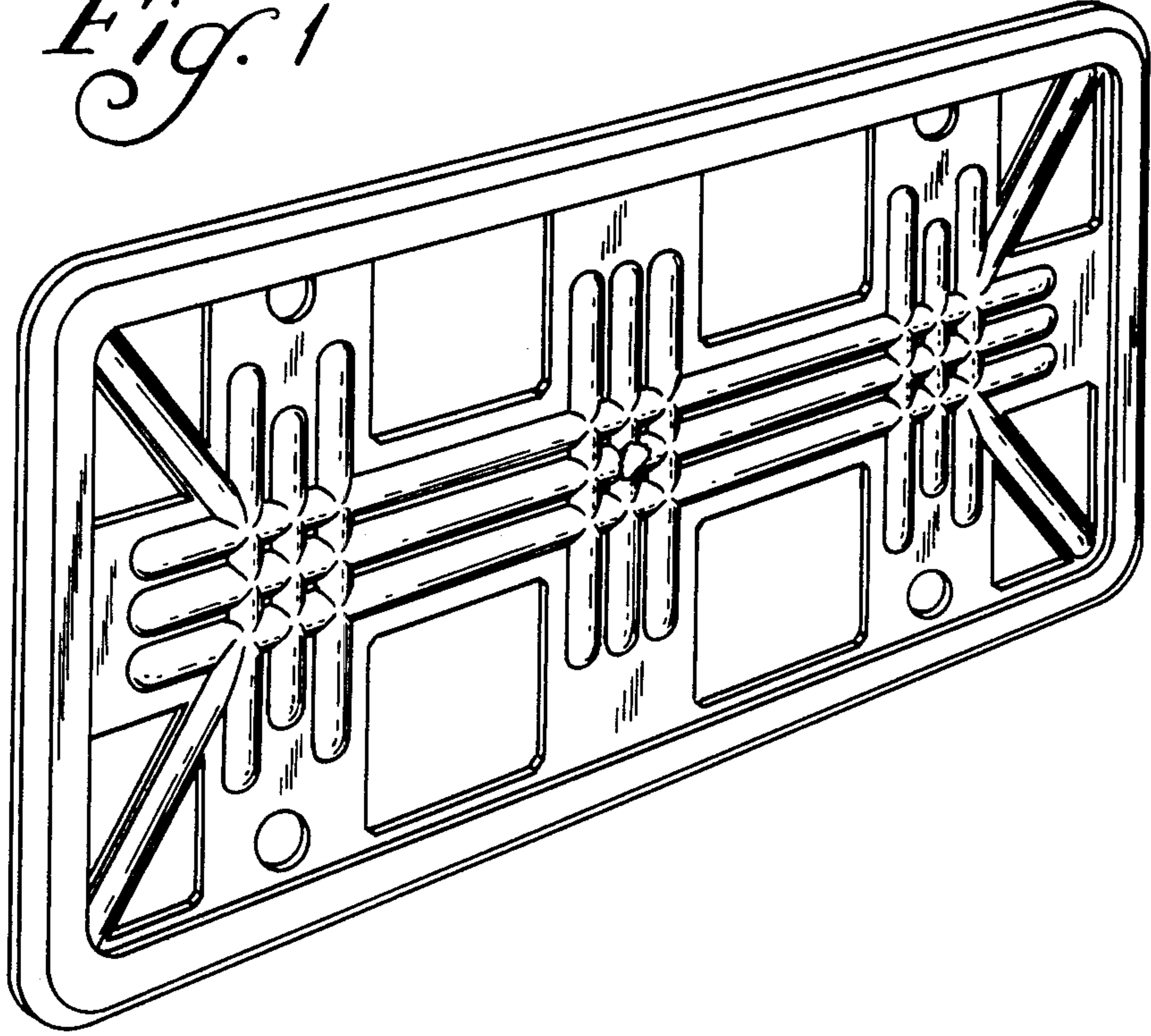
The ornamental design for a license plate holder, as shown.

**DESCRIPTION**

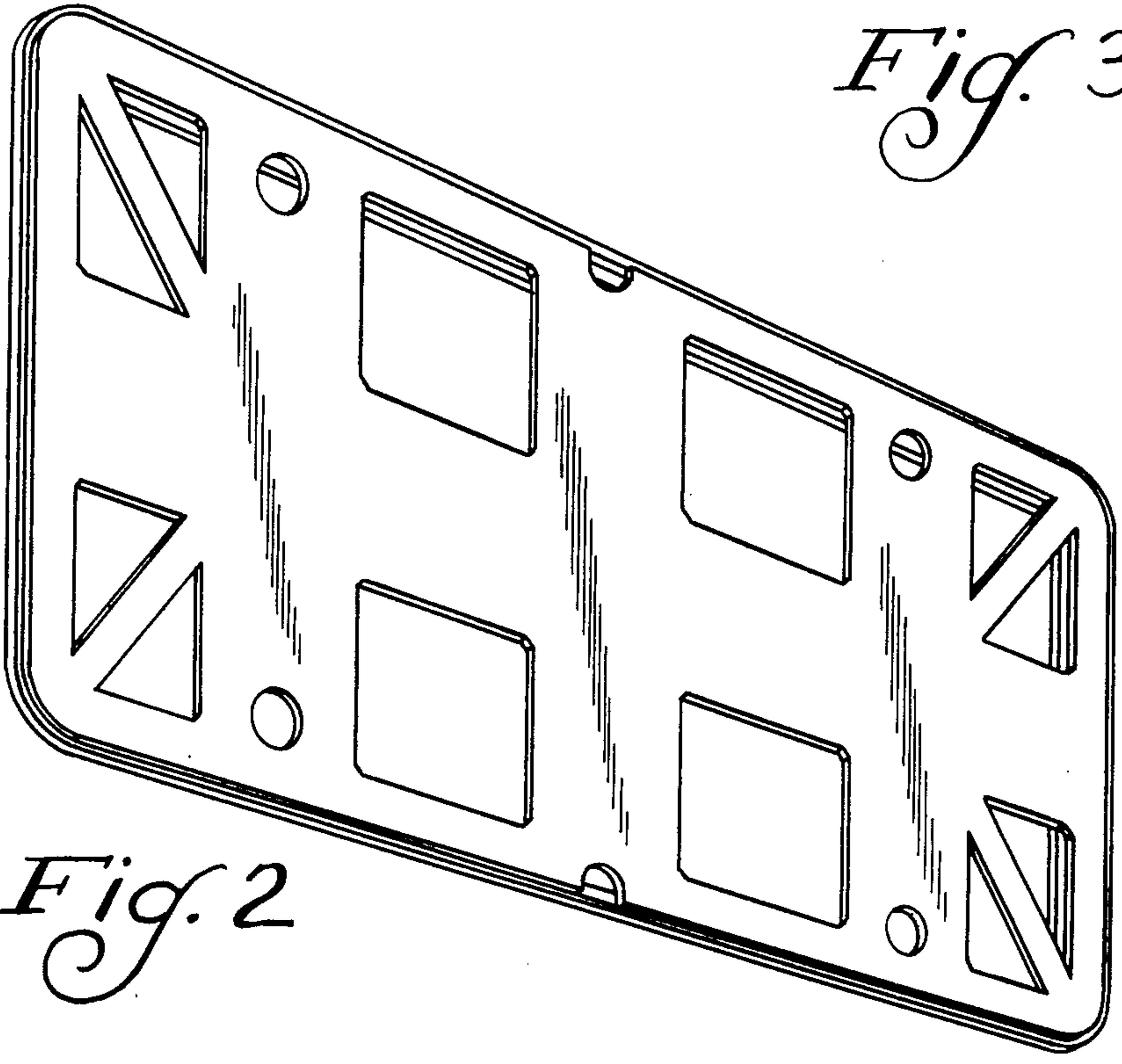
FIG. 1 is a perspective view from the upper front left hand corner of the license plate holder showing my new design;  
FIG. 2 is a perspective view from the lower back right hand corner thereof; and  
FIG. 3 is an enlarged end elevational view thereof.



*Fig. 1*



*Fig. 3*



*Fig. 2*