

United States Patent [19] Wheeler

[11] **Des. 245,496**
[45] ** **Aug. 23, 1977**

[54] **VEHICLE ROLL BAR UNIT**

[76] Inventor: **John Francis Wheeler**, 9364 Jamacha Road, Spring Valley, Calif. 92077

[**] Term: **14 Years**

[21] Appl. No.: **673,623**

[22] Filed: **Apr. 5, 1976**

[51] Int. Cl. **D12-16**

[52] U.S. Cl. **D12/156**

[58] Field of Search **D12/155, 156, 190, 93;
280/756; 296/102**

[56] **References Cited**

U.S. PATENT DOCUMENTS

1,200,655 10/1916 Scheidemantel 280/756

3,622,177 11/1971 Notestine et al. 280/756

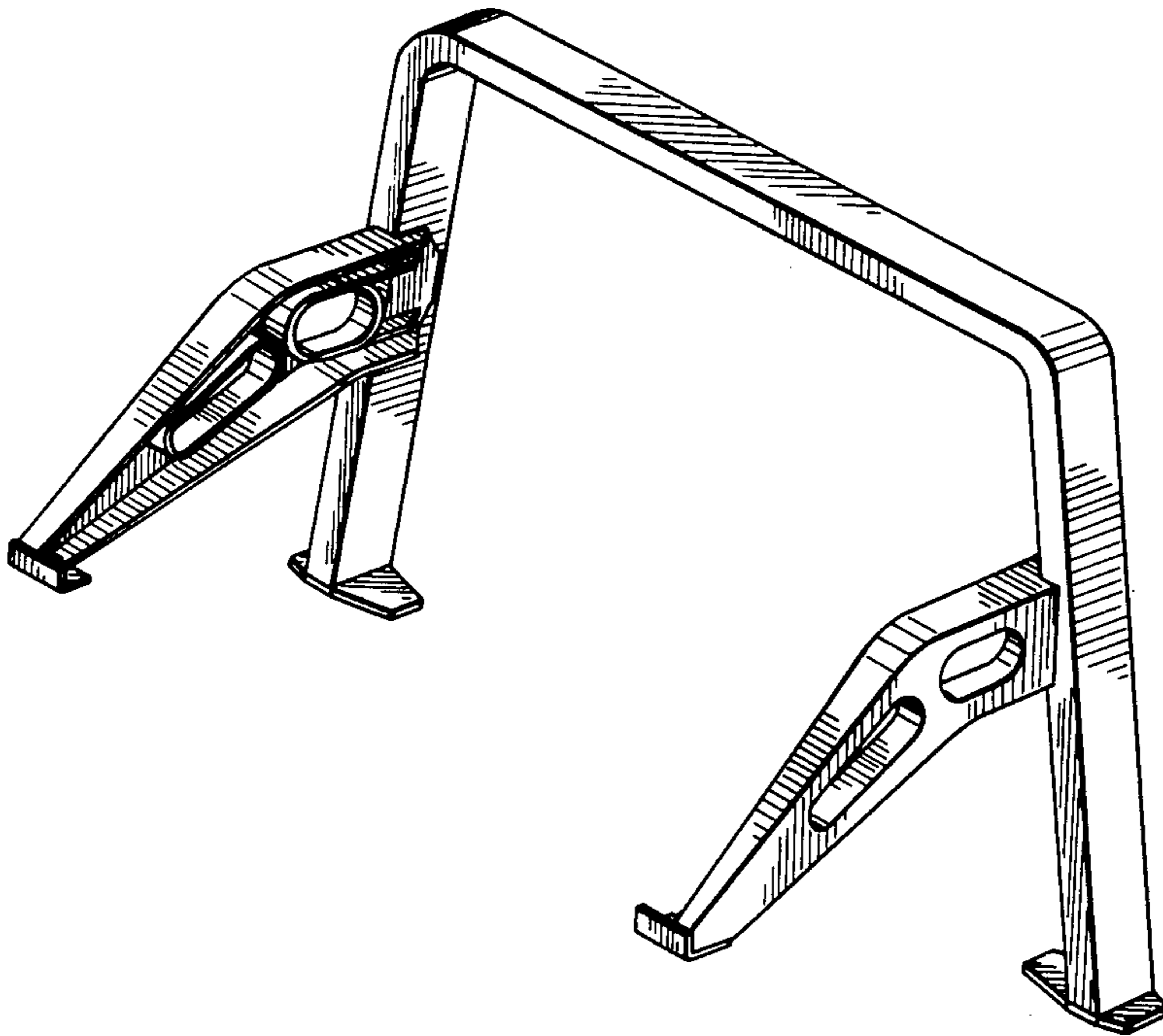
Primary Examiner—Wallace R. Burke
Assistant Examiner—James M. Gandy
Attorney, Agent, or Firm—Carl R. Brown

[57] **CLAIM**

The ornamental design for a vehicle roll bar unit, substantially as shown.

DESCRIPTION

FIG. 1 is a perspective view from the rear of a vehicle roll bar unit, showing my new design;
FIG. 2 is a side elevational view thereof, a portion of a pick-up truck bed being indicated in broken lines for illustrative purposes only;
FIG. 3 is a bottom plan view thereof; and
FIG. 4 is a front elevational view thereof.



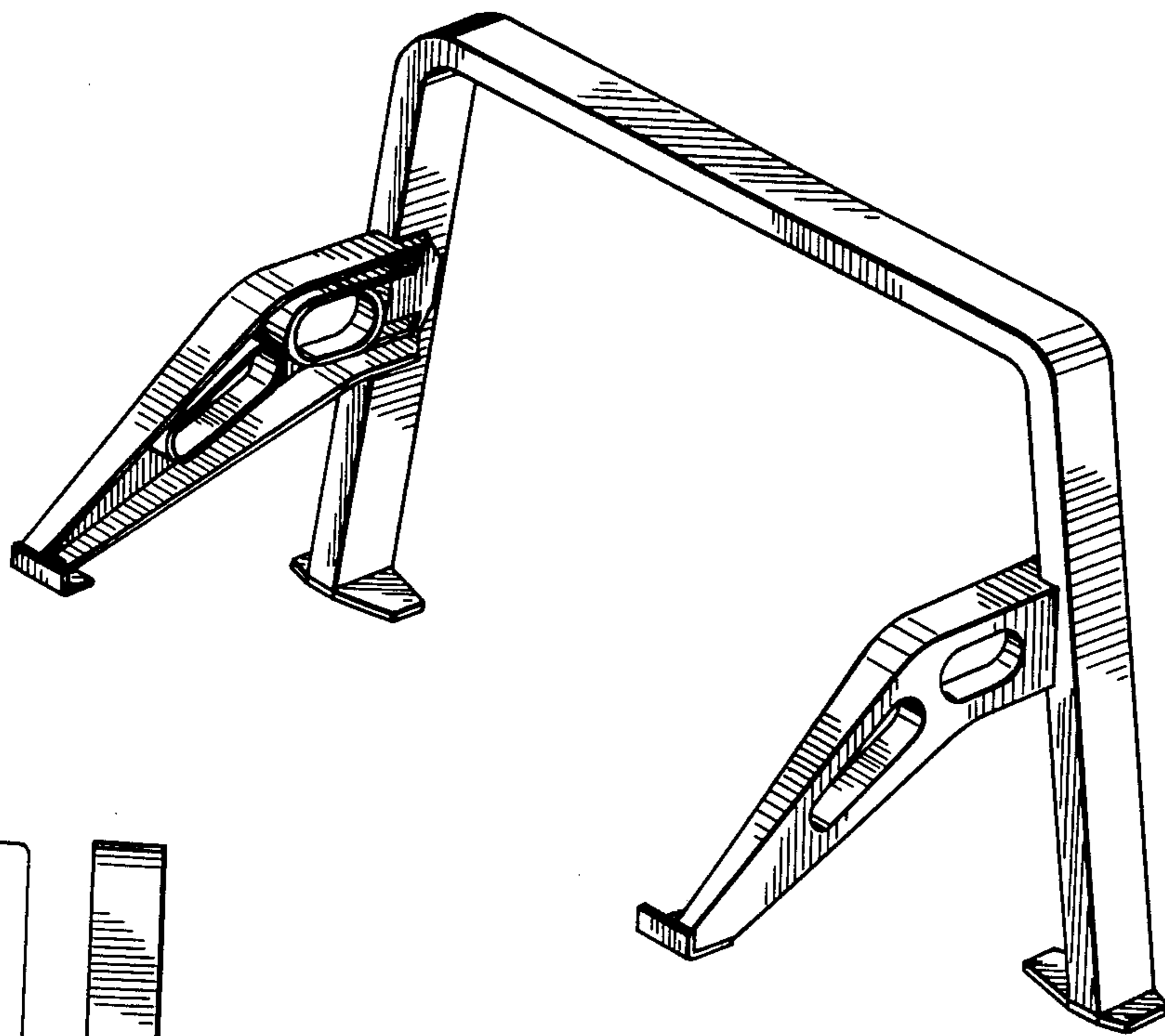


Fig. 1

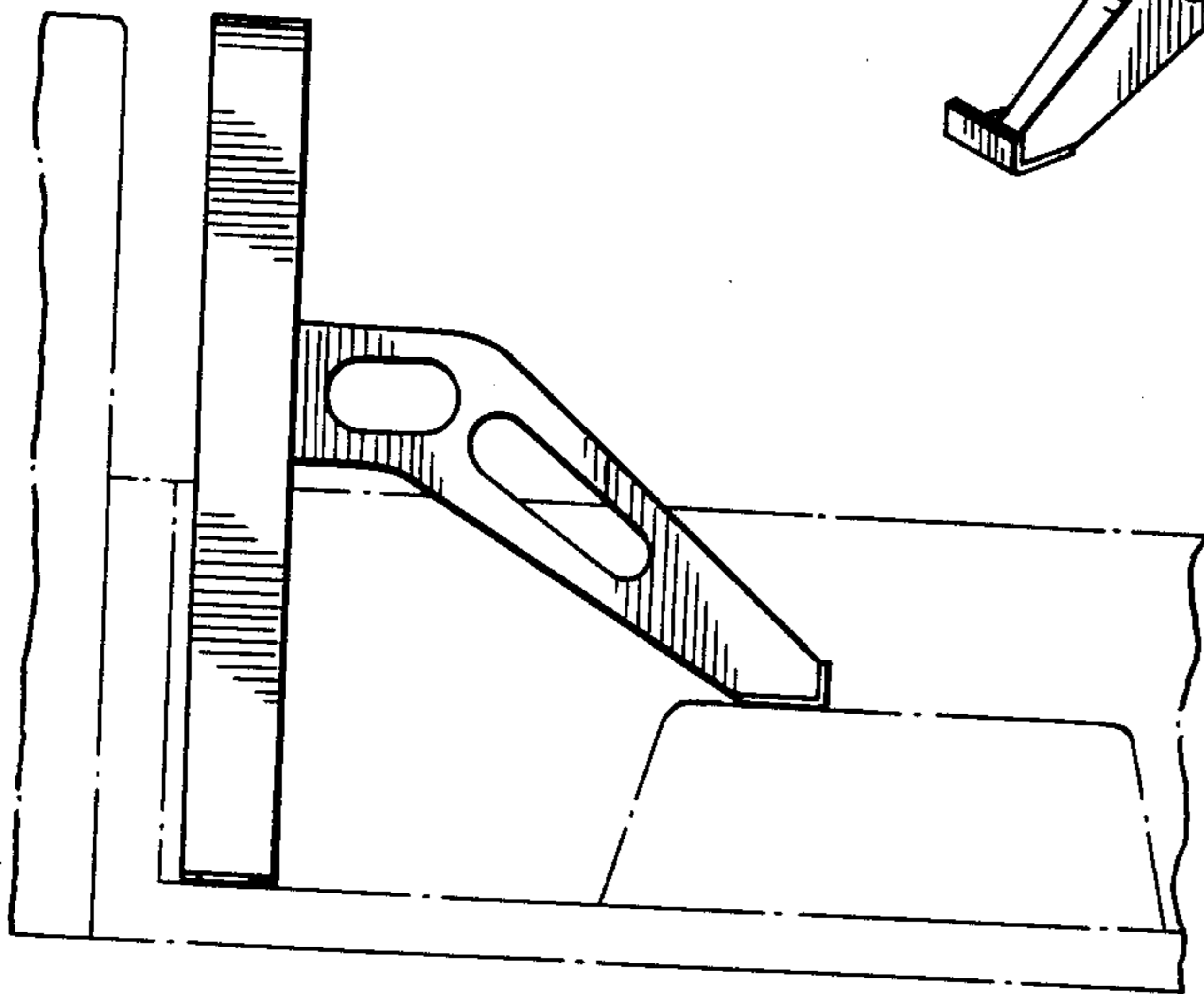


Fig. 2

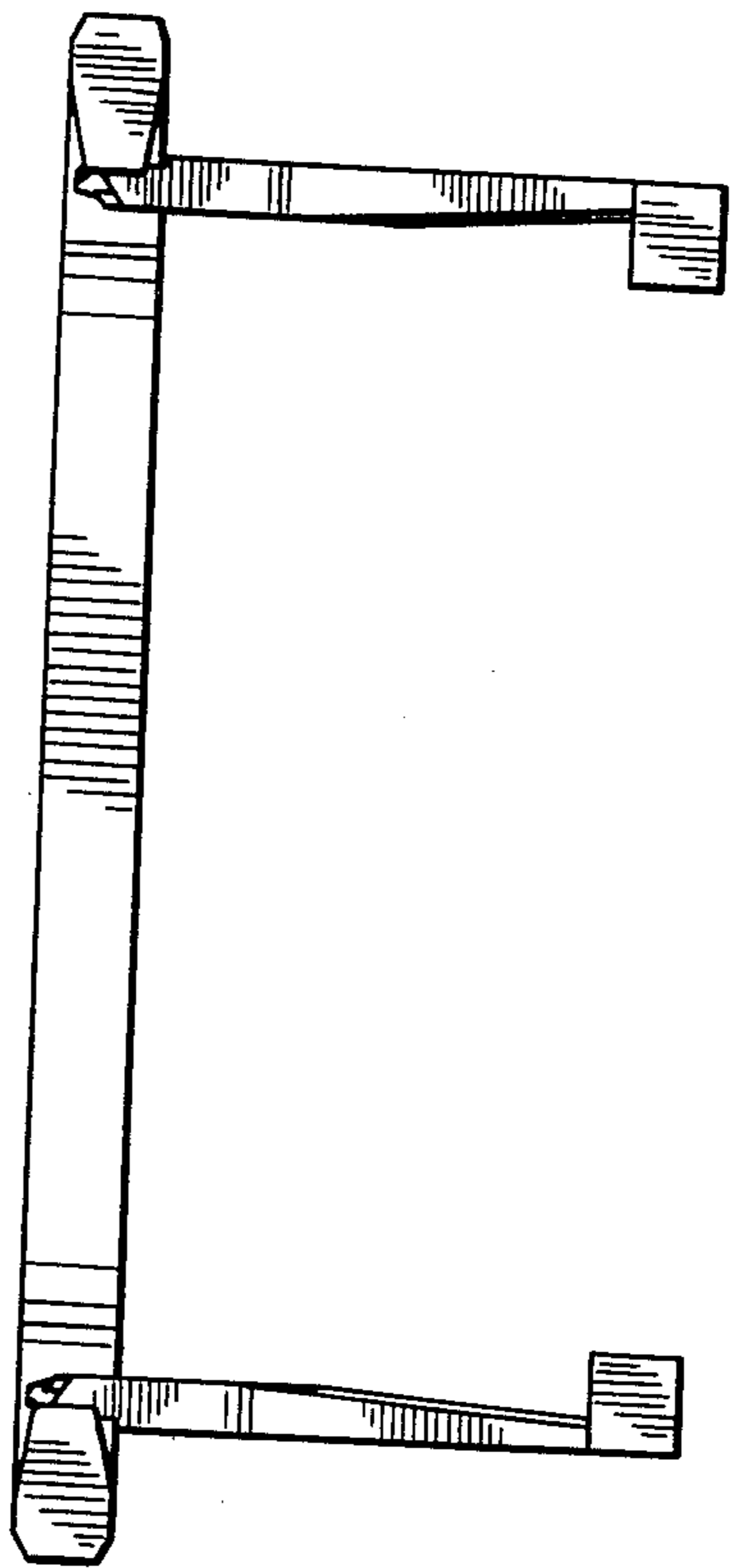


Fig. 3

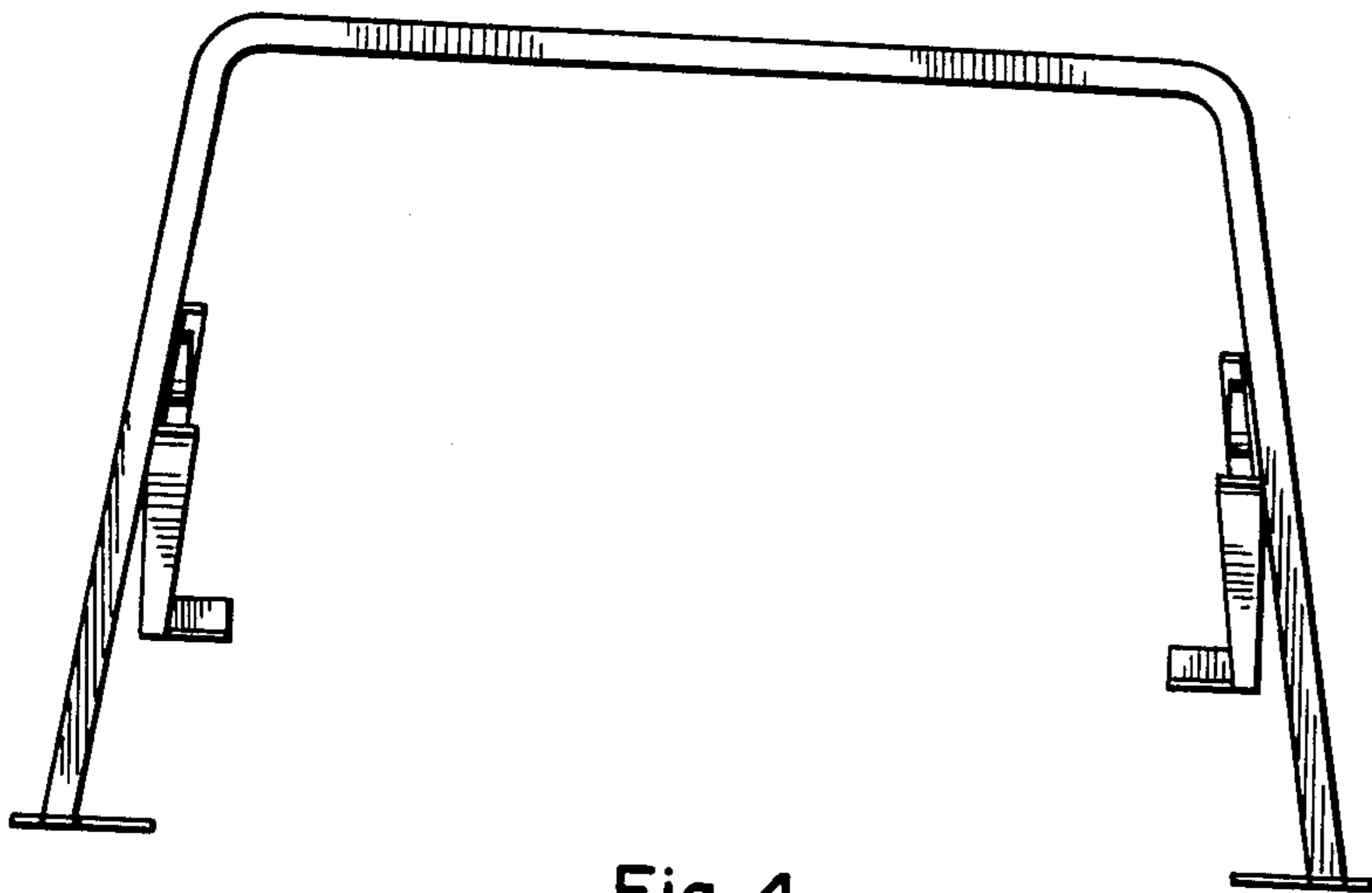


Fig. 4