

[54] TRAILER

[76] Inventor: Thomas J. Henderson, P.O. Box 941, Pollock Pines, Calif. 95726

[**] Term: 14 Years

[21] Appl. No.: 711,846

[22] Filed: Aug. 5, 1976

[51] Int. Cl. D12-10

[52] U.S. Cl. D12/101

[58] Field of Search D12/101; 296/1 A; 280/400; 214/505, 506

[56] References Cited

U.S. PATENT DOCUMENTS

D. 219,964	2/1971	Ransom	D12/101
D. 226,655	4/1973	Ezell	D12/101

OTHER PUBLICATIONS

John Deere, 1100 & 1120, Industrial Trailers Manual, rec'd June 13, 1972, p. 1120, trailer on front cover.

Primary Examiner—Wallace R. Burke

Assistant Examiner—James M. Gandy

Attorney, Agent, or Firm—Robert G. West

[57] CLAIM

The ornamental design for a trailer, as shown.

DESCRIPTION

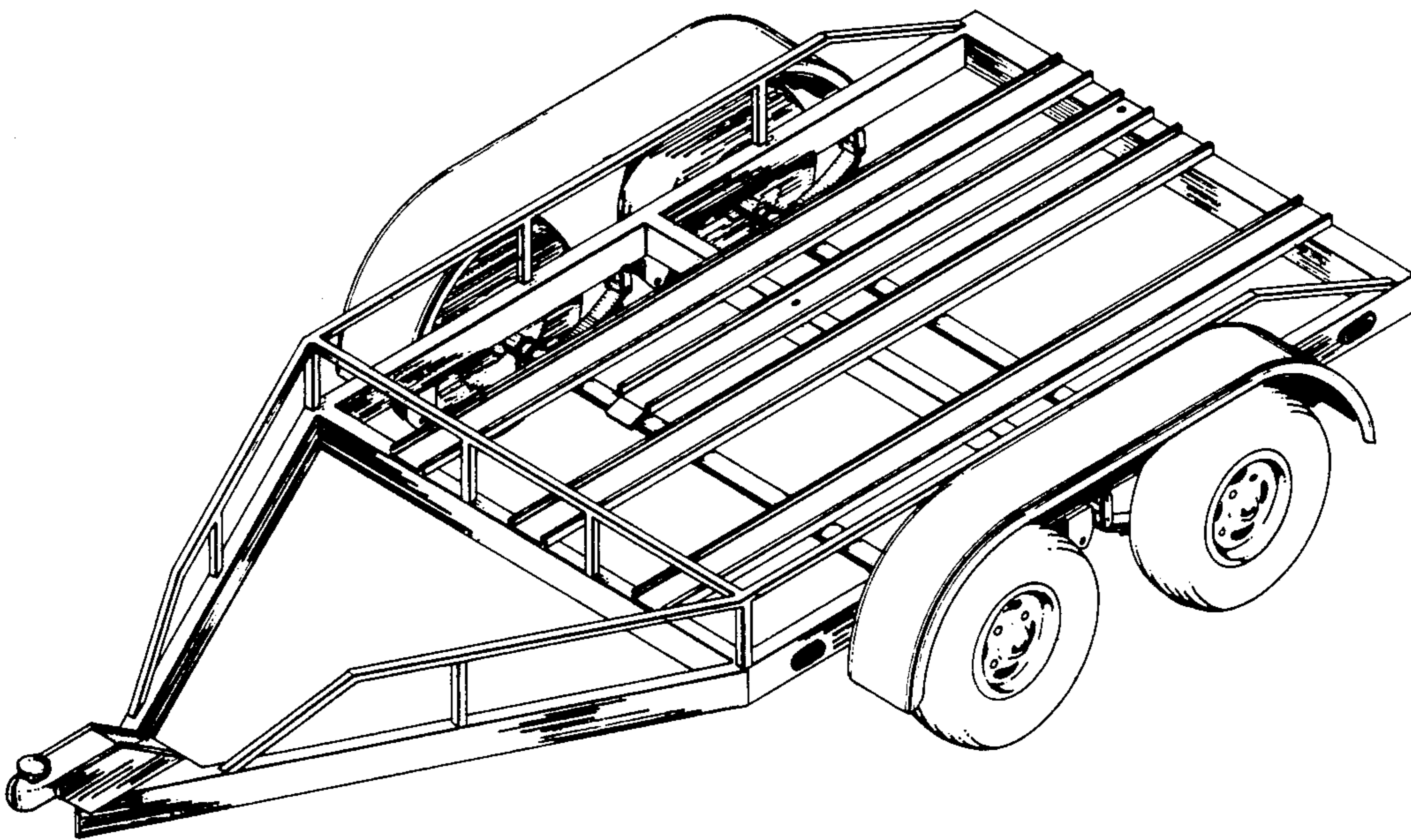
FIG. 1 is a perspective view of a trailer, showing my new design;

FIG. 2 is a top plan view thereof;

FIG. 3 is an elevational view of one side, the opposite side view being a mirror image thereof.

FIG. 4 is a front elevational view thereof; and,

FIG. 5 is a rear elevational view thereof.



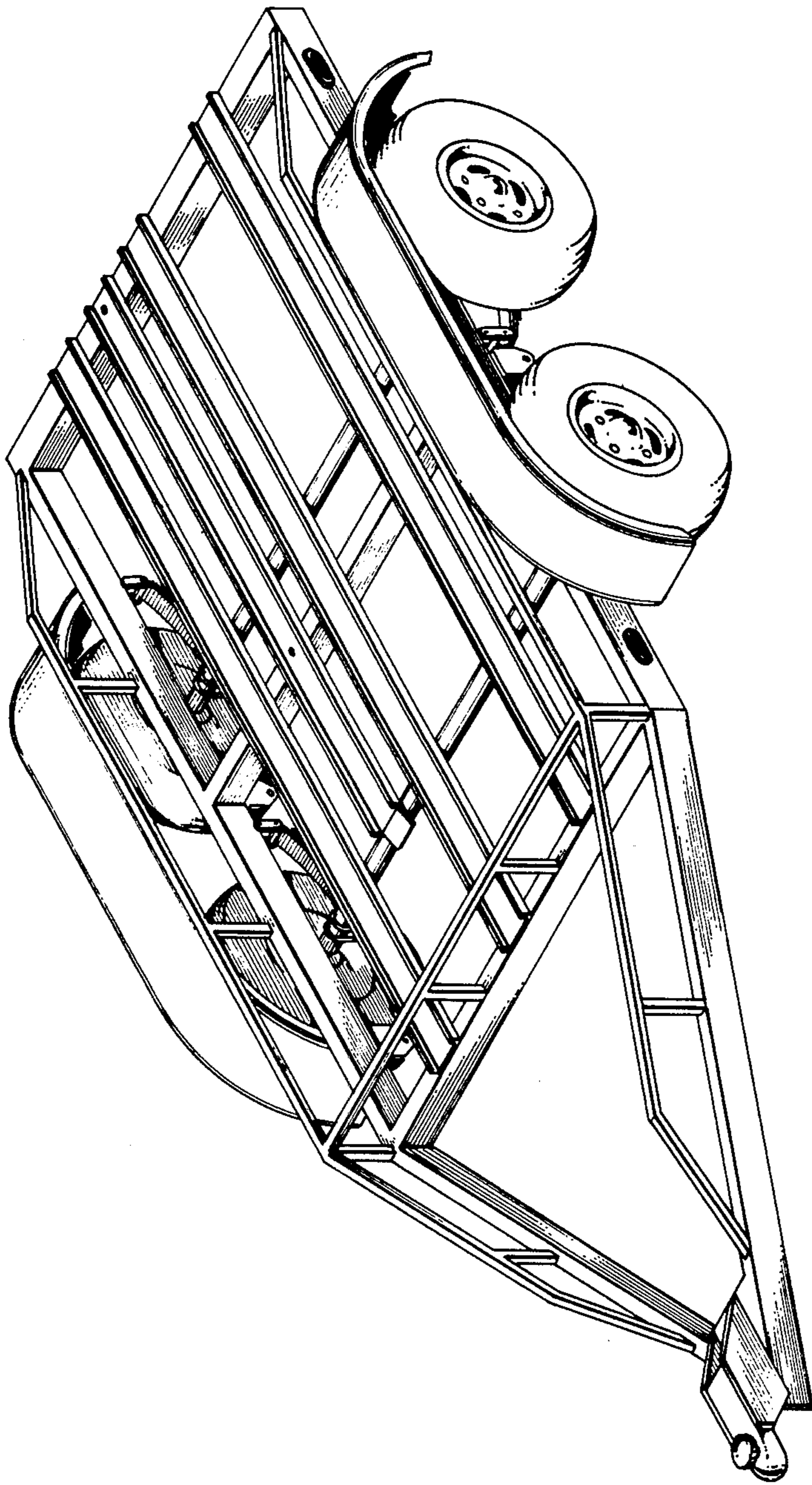


FIG-1

FIG-2

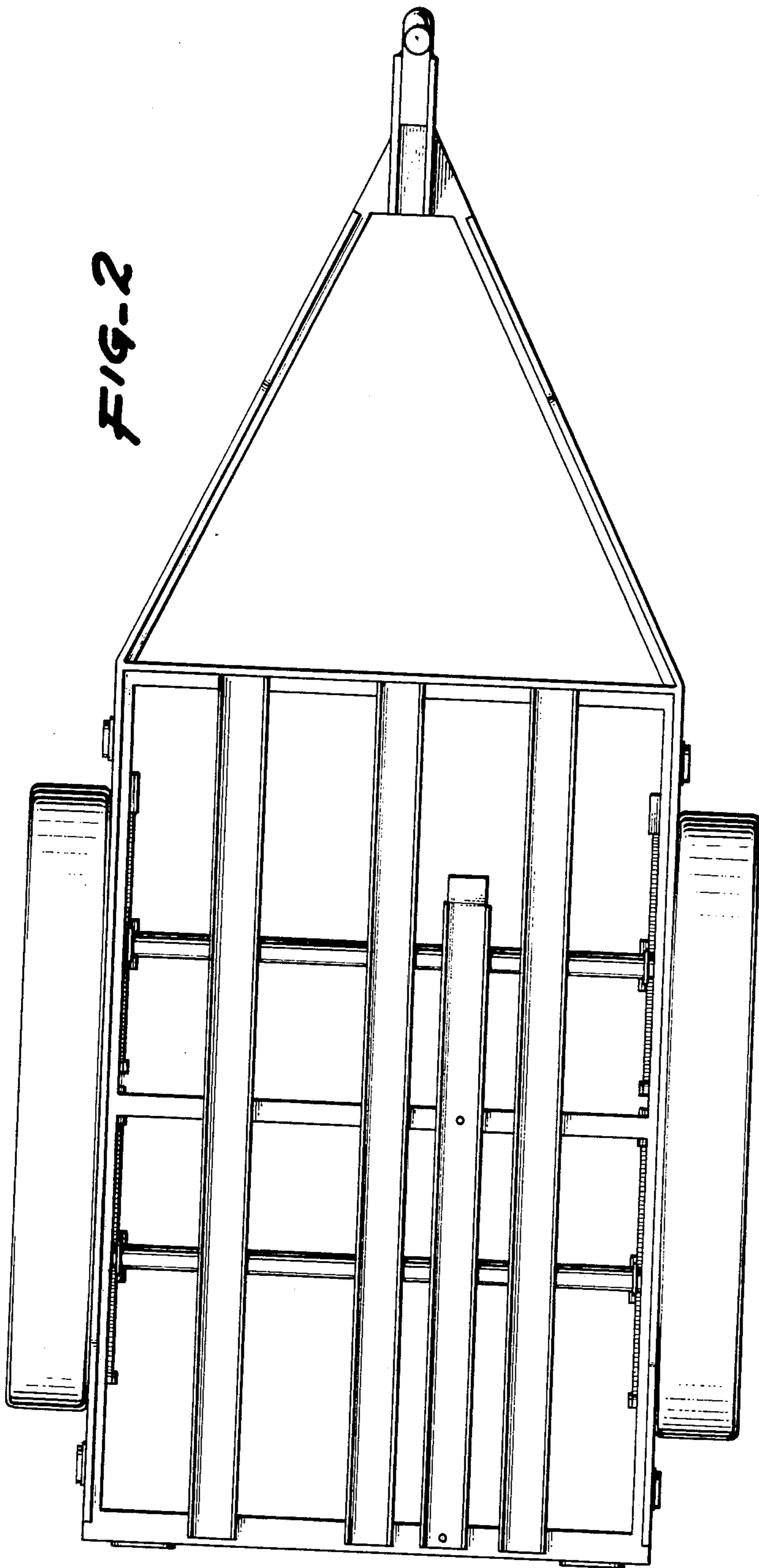


FIG-3

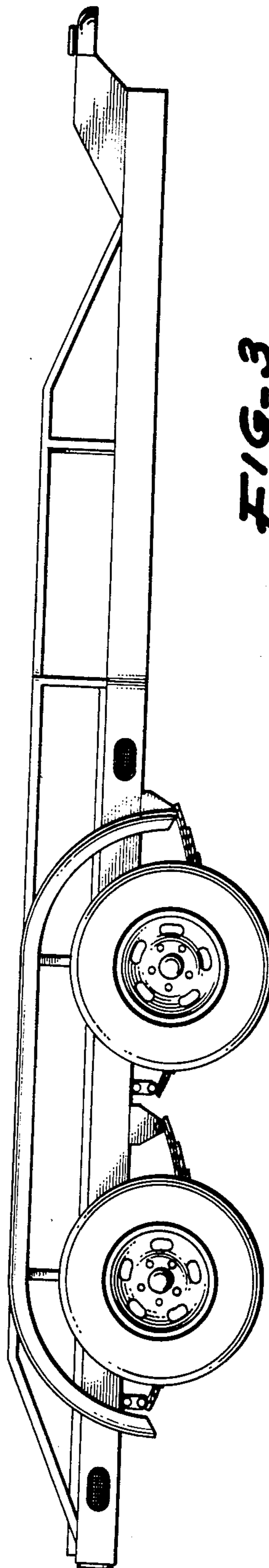


FIG. 4

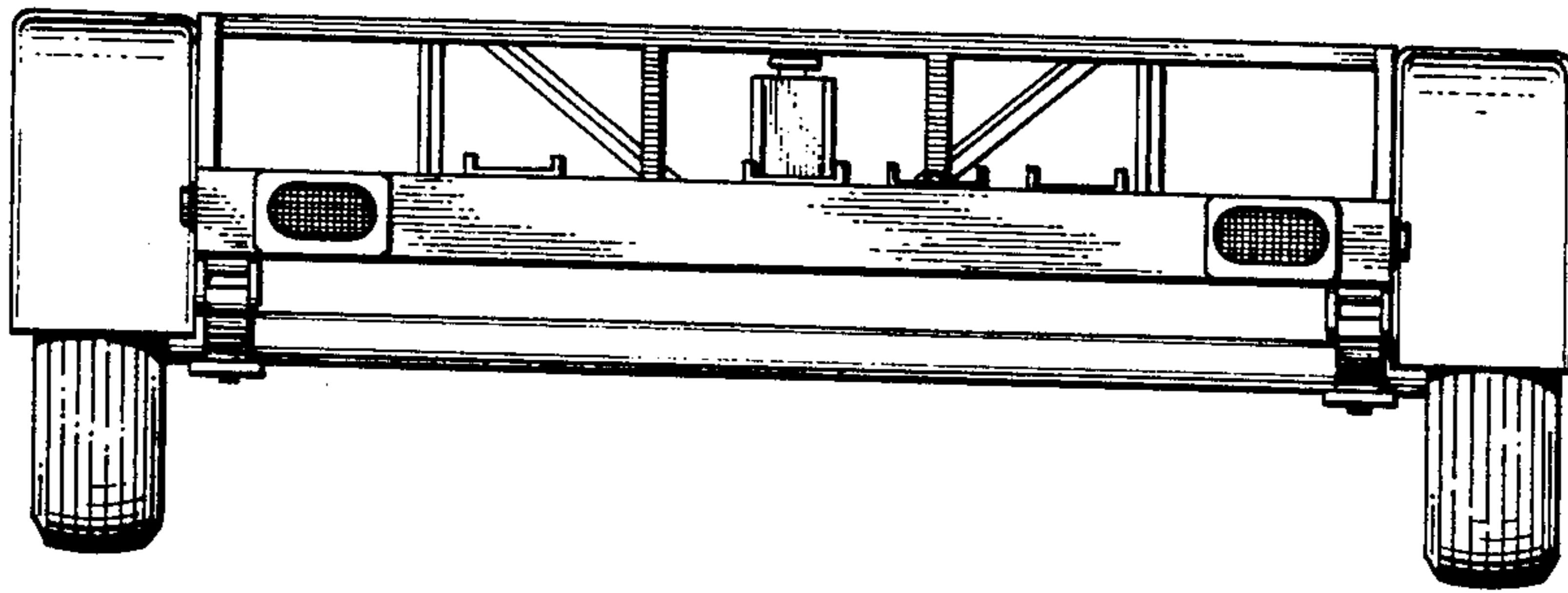
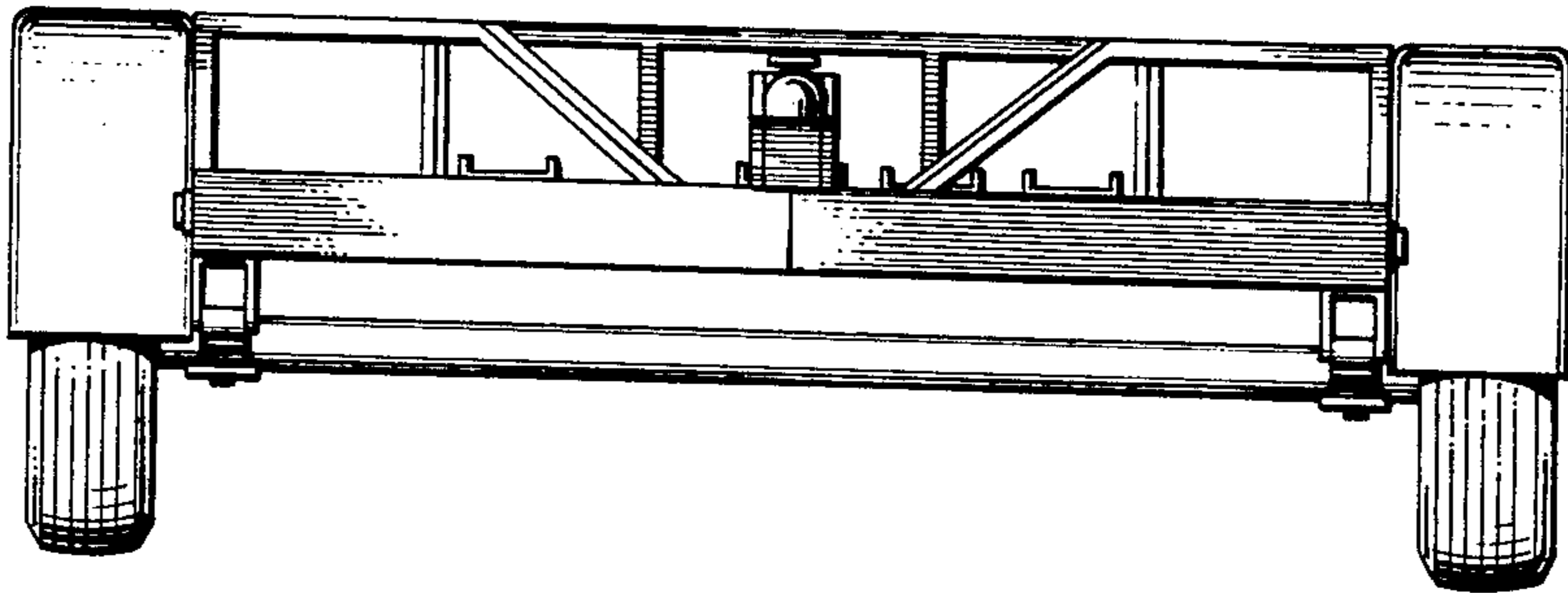


FIG-5