

[54] FIRE ALARM

[75] Inventors: Michael Pappas, Irvington; Paul A. Witte; Thomas Johnson, both of Hopewell, all of N.J.

[73] Assignee: Falcon Safety Products, Inc., Mountainside, N.J.

[\*\*] Term: 14 Years

[21] Appl. No.: 744,801

[22] Filed: Nov. 24, 1976

[51] Int. Cl. .... D10-05

[52] U.S. Cl. .... D10/106

[58] Field of Search ..... D10/116, 106, 120; 340/227 R, 227.1, 228 R, 228.1, 237 R, 237 S, 258, 276; 116/106

[56] References Cited

U.S. PATENT DOCUMENTS

3,667,419 6/1972 Sullivan ..... 116/106  
D. 194,738 3/1963 Green ..... D10/106

Primary Examiner—Susan J. Lucas  
Attorney, Agent, or Firm—W. F. Sonnekalb, Jr.

[57] CLAIM

We claim the ornamental design for a fire alarm, as shown.

DESCRIPTION

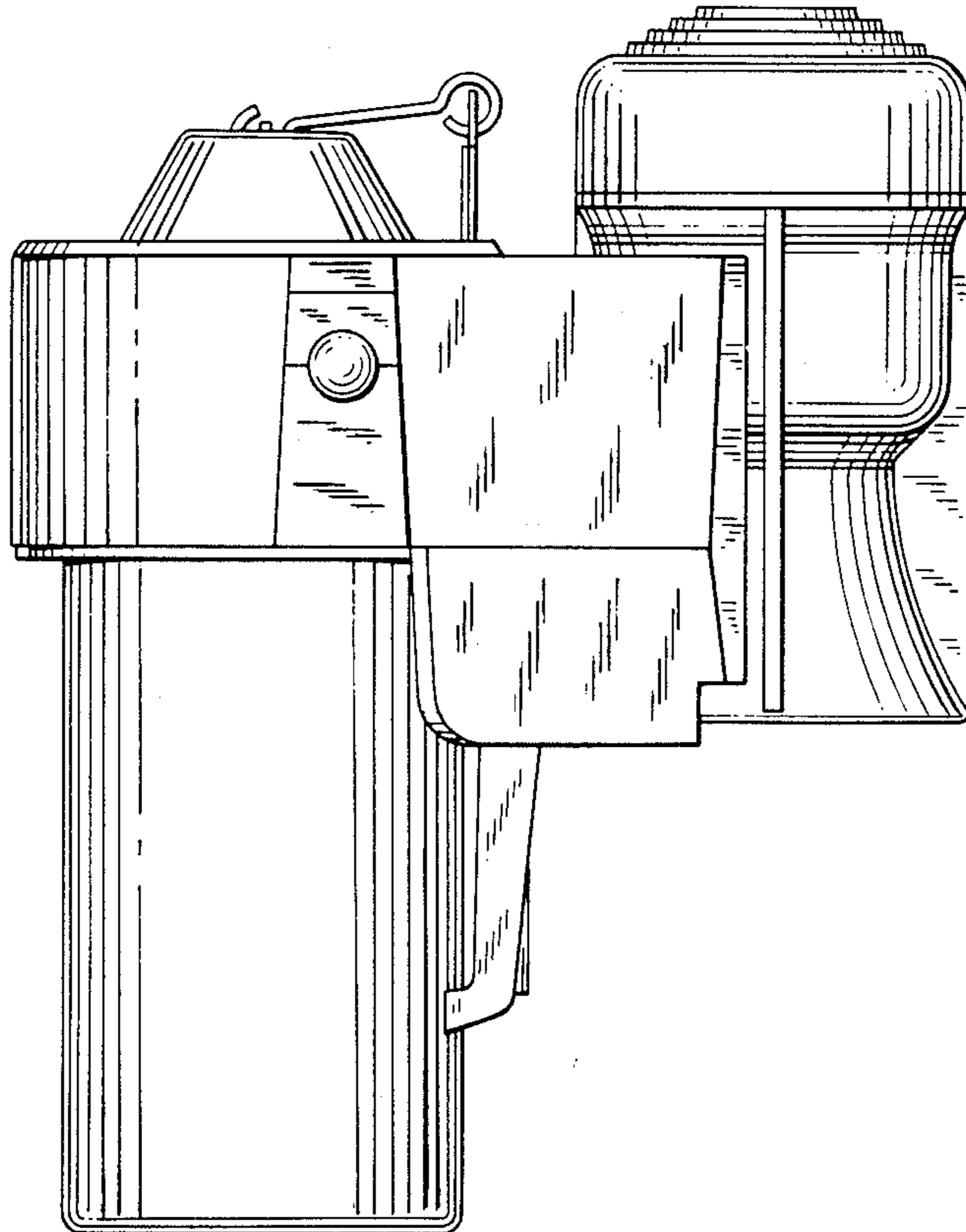
FIG. 1 is a top plan view of a fire alarm embodying our new design.

FIG. 2 is a side elevational view thereof.

FIG. 3 is a left end elevational view thereof.

FIG. 4 is a right end elevational view thereof.

FIG. 5 is a bottom plan view thereof.



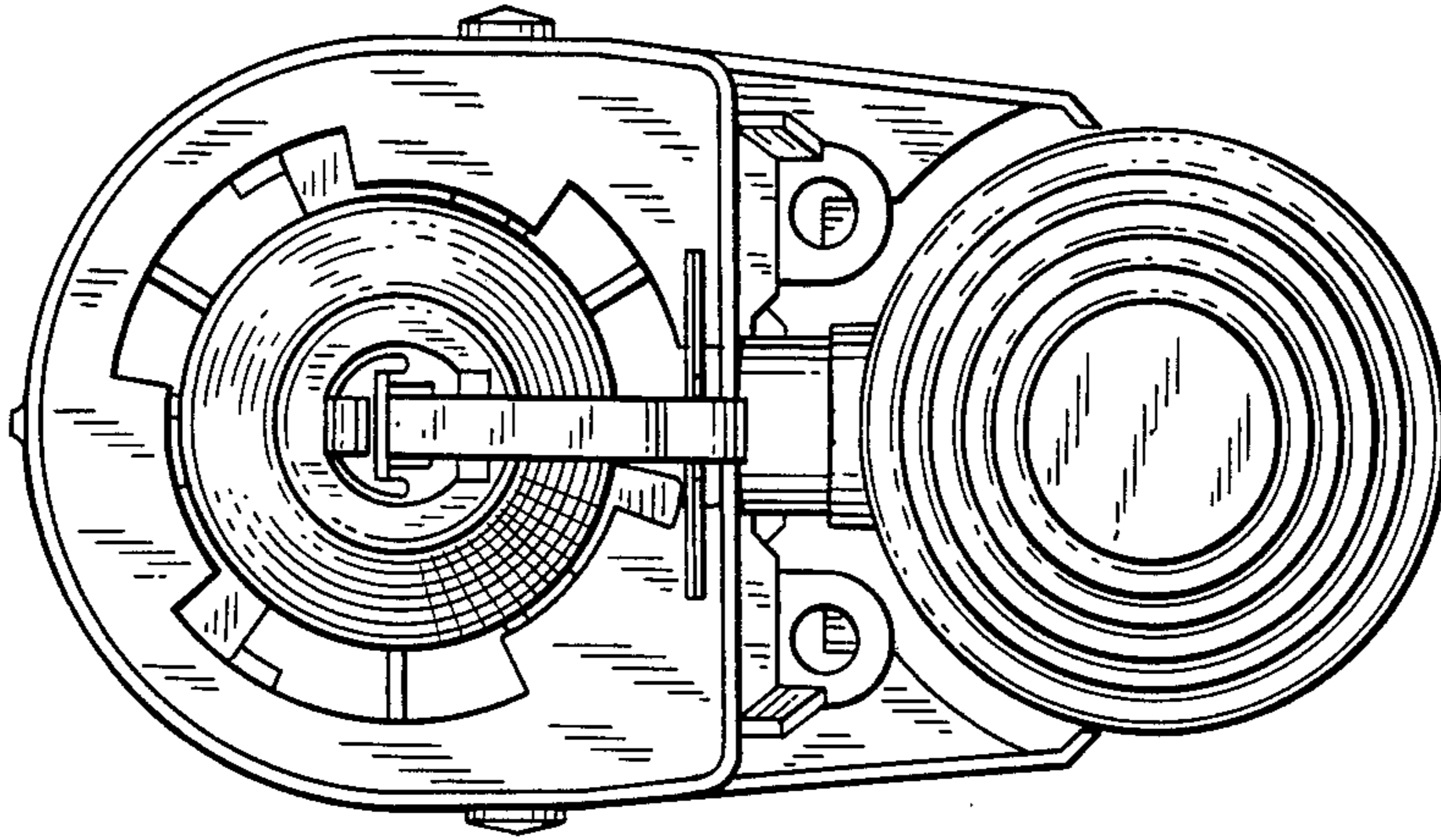


FIG. 1

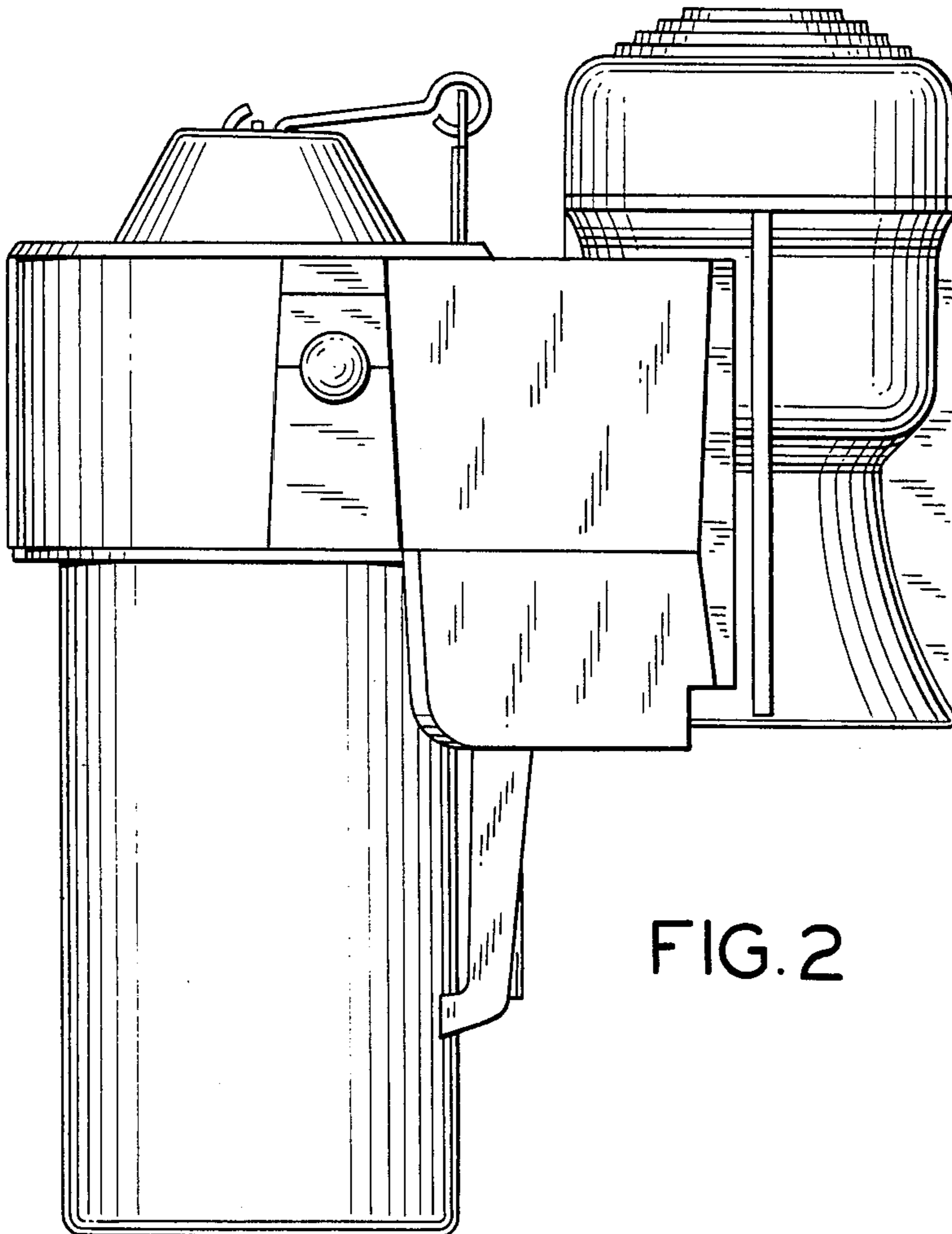


FIG. 2

FIG.3

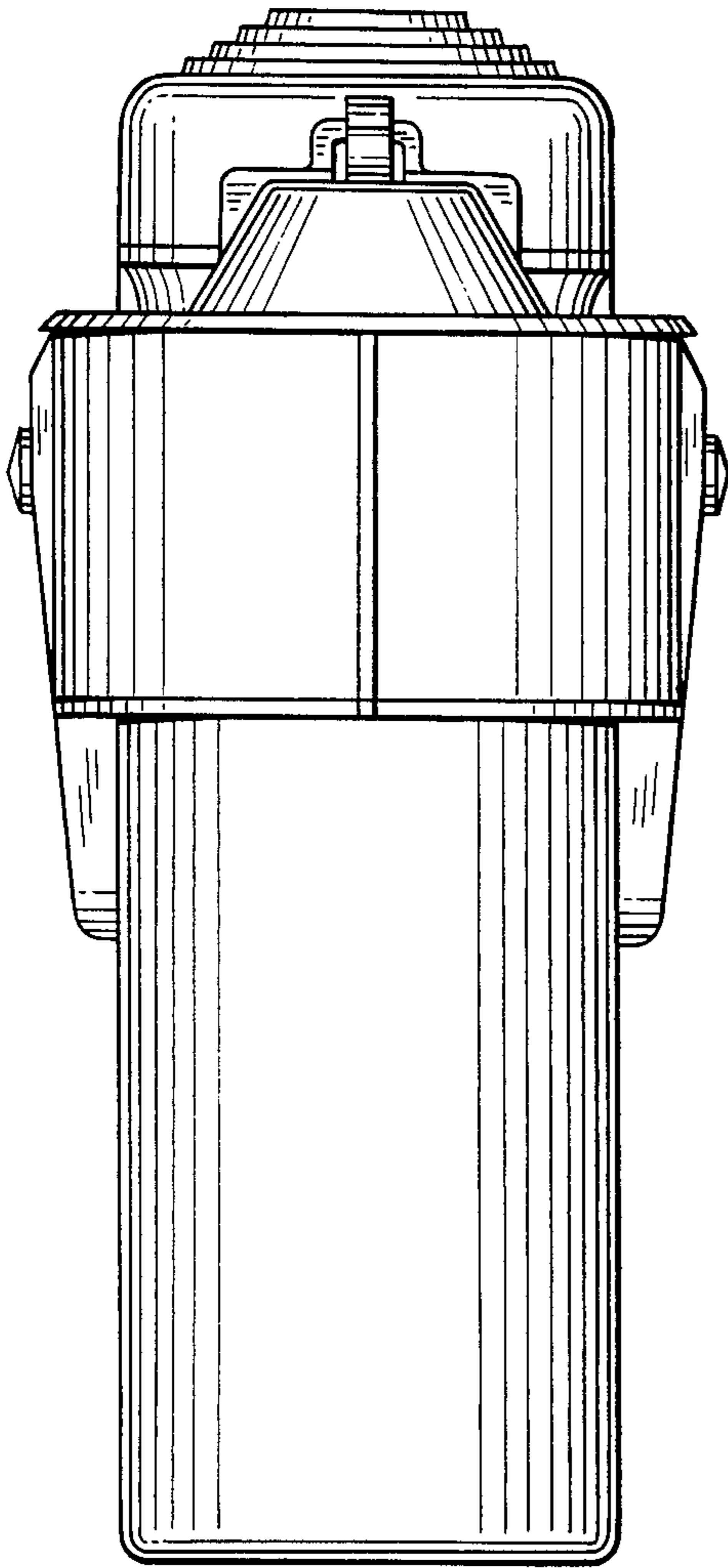


FIG.4

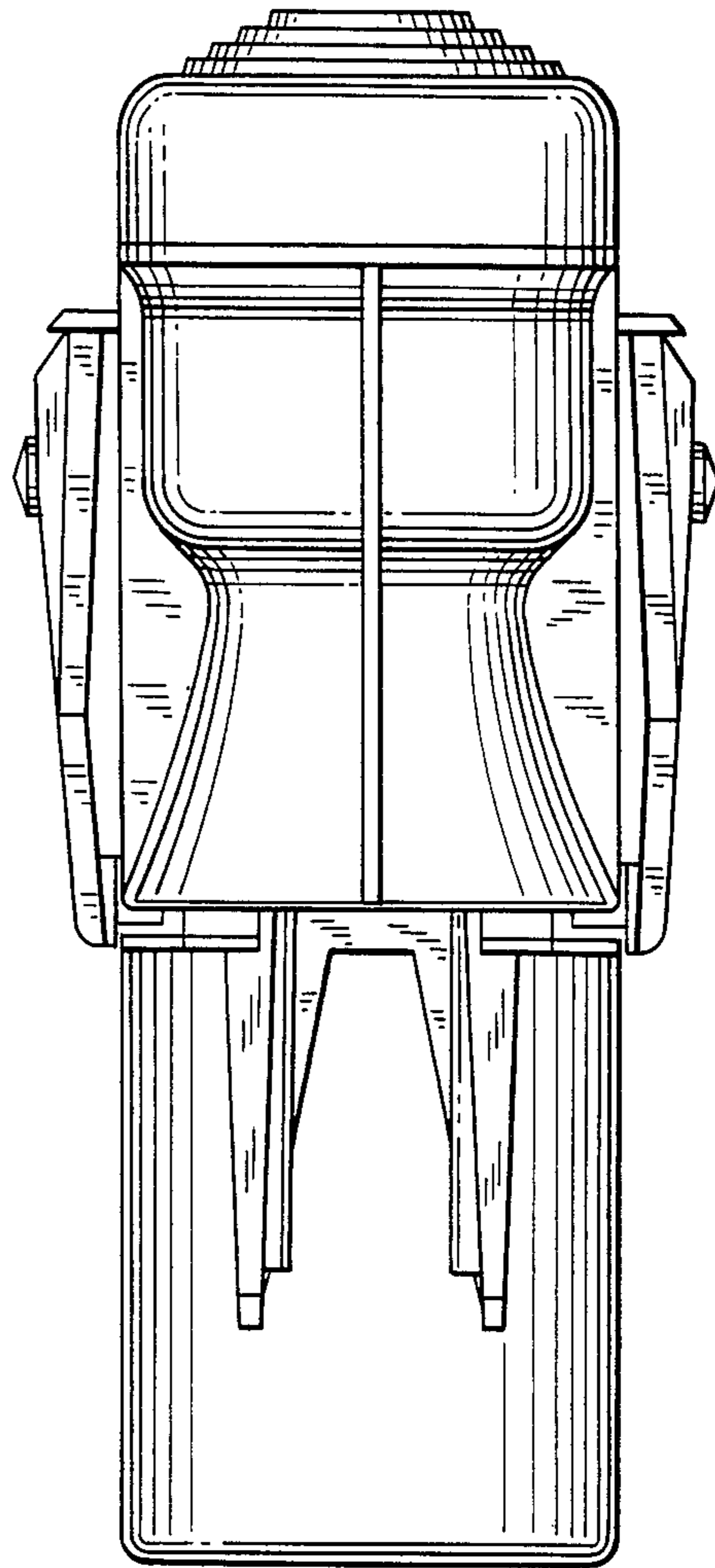


FIG.5

