

[54] CYLINDRICAL FLOW METER

[76] Inventor: Shale J. Niskin, 2941 Lucaya, Coconut Grove, Fla. 33133

[**] Term: 14 Years

[21] Appl. No.: 671,666

[22] Filed: Mar. 29, 1976

[51] Int. Cl. D10-04

[52] U.S. Cl. D10/96

[58] Field of Search D10/96, 97, 98; 73/184, 73/185

[56] References Cited

U.S. PATENT DOCUMENTS

76,521	4/1868	Reid	73/185
439,840	11/1890	Granville	73/185
1,052,714	2/1913	Durkee	73/185
D. 232,922	9/1974	Niskin	D10/96

Primary Examiner—Nelson C. Holtje
Attorney, Agent, or Firm—Salvatore G. Militana

[57] CLAIM

The ornamental design for a cylindrical flow meter, substantially as shown.

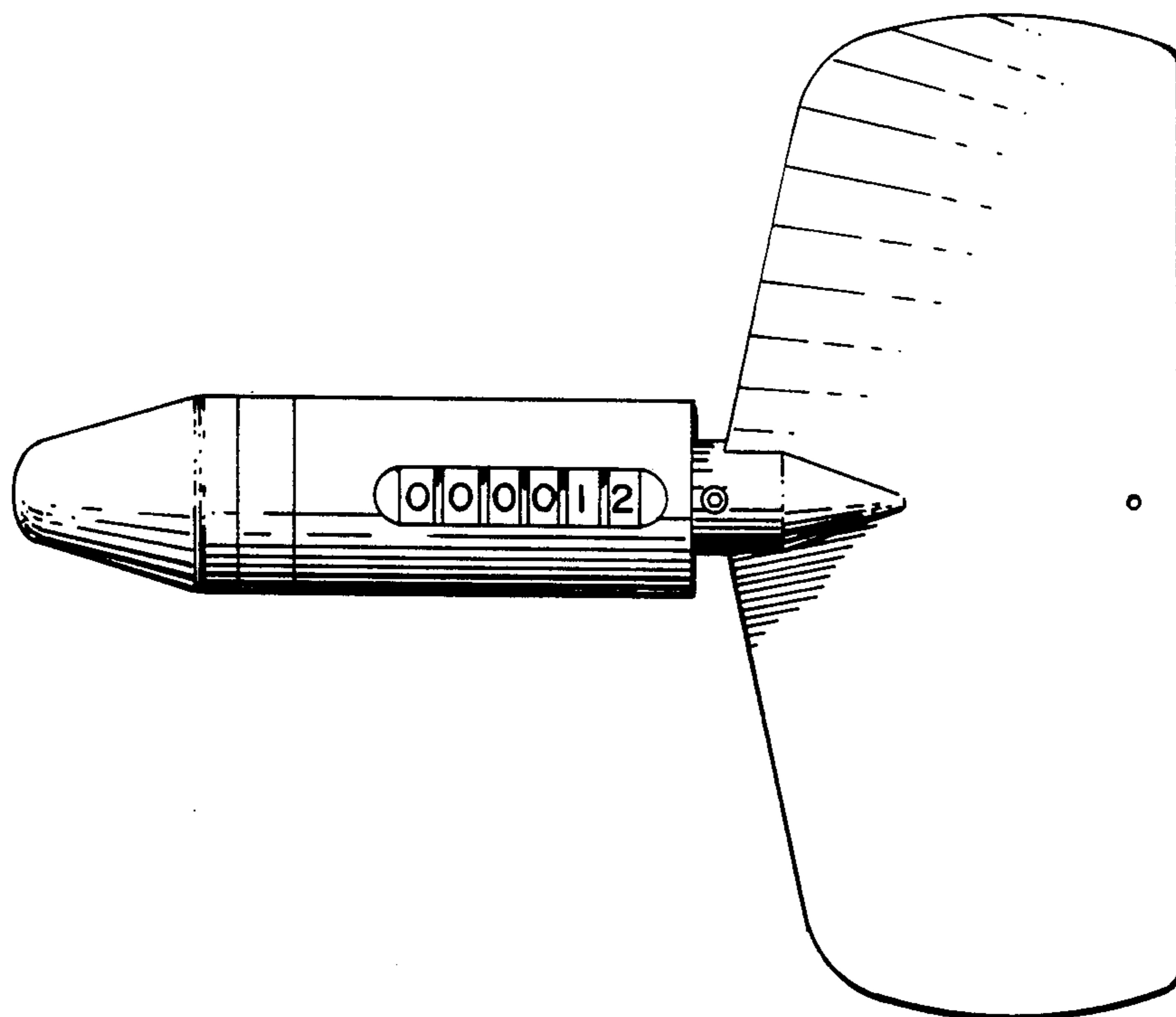
DESCRIPTION

FIG. 1 is a top plan view of a cylindrical flow meter showing my new design.

FIG. 2 is a right side elevational view.

FIG. 3 is a front elevational view.

FIG. 4 is a rear elevational view.



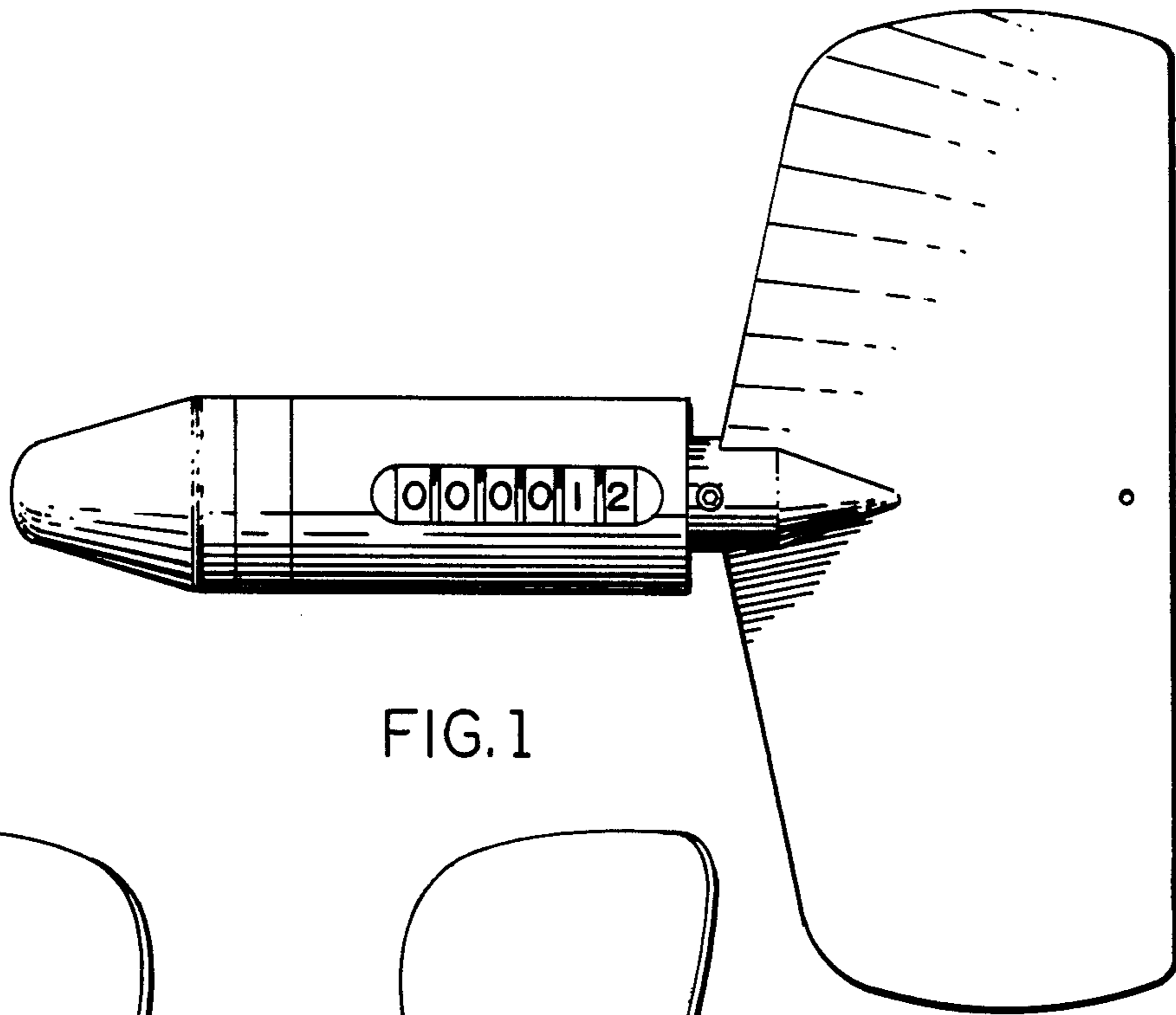


FIG. 1

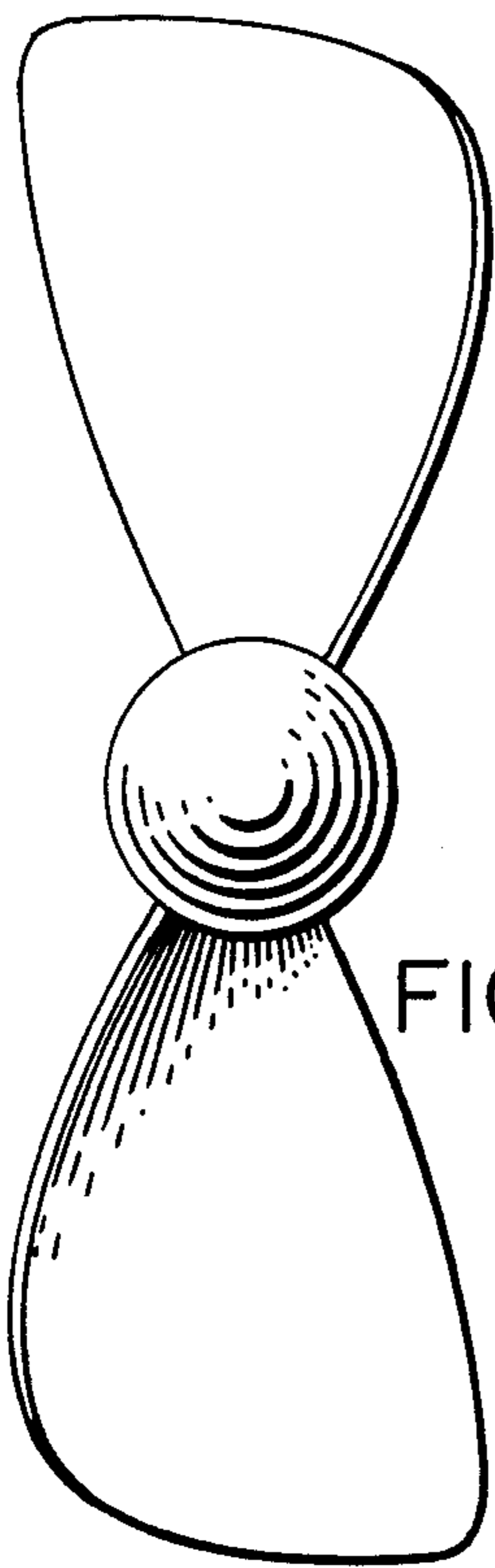


FIG. 3

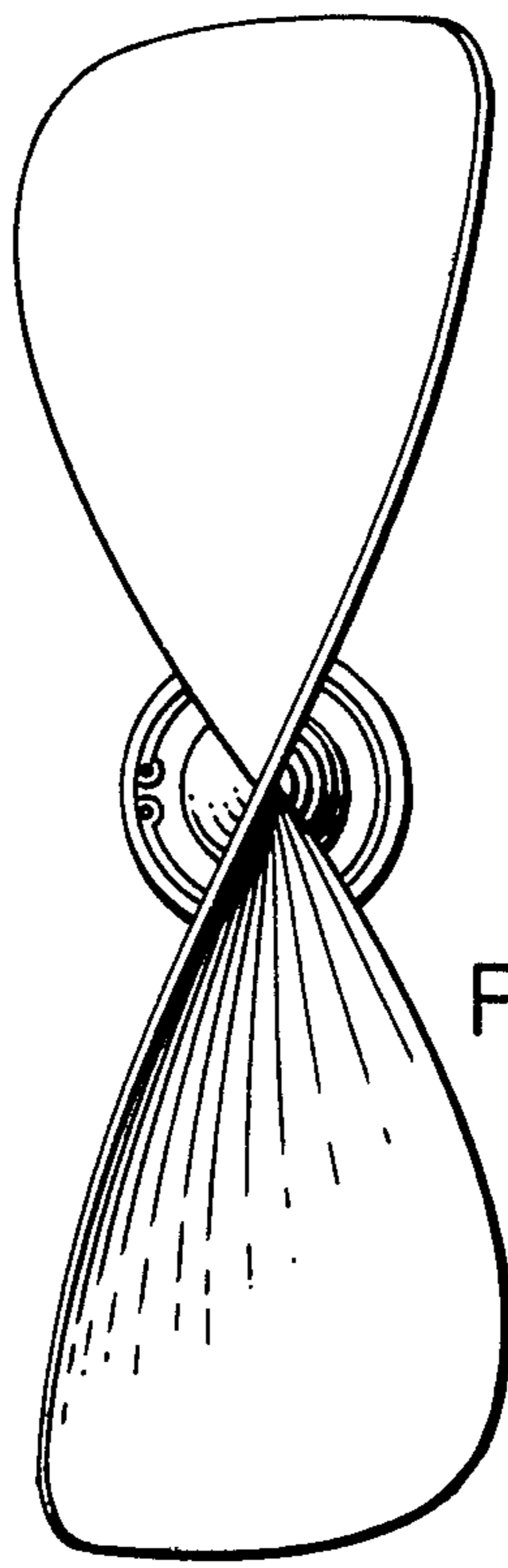


FIG. 4

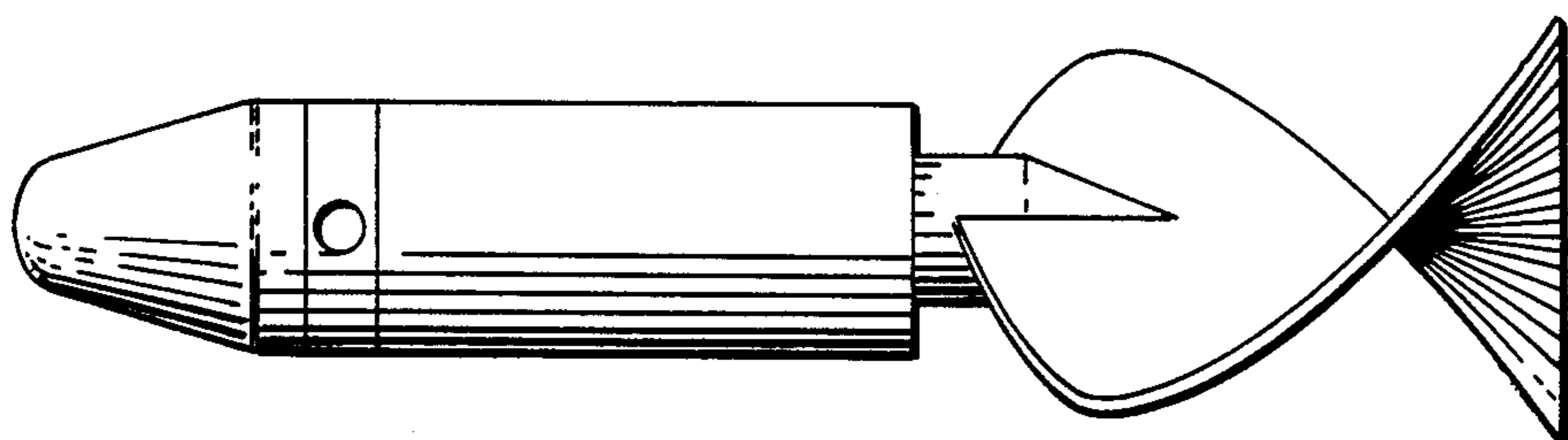


FIG. 2