

# United States Patent [19]

Niskin

[11] **Des. 245,486**

[45] **\*\* Aug. 23, 1977**

[54] **THREE BLADED BAYED FLOW METER**

[76] Inventor: **Shale J. Niskin**, 2941 Lucaya,  
Coconut Grove, Fla. 33133

[\*\*] Term: **14 Years**

[21] Appl. No.: **671,665**

[22] Filed: **Mar. 29, 1976**

[51] Int. Cl. .... **D10-04**

[52] U.S. Cl. .... **D10/96**

[58] Field of Search ..... **D10/96, 97, 98; 73/184,**  
**73/185**

[56] **References Cited**

### U.S. PATENT DOCUMENTS

326,207 9/1885 Favor ..... 73/185

351,140	10/1886	Walker .....	73/185
1,052,714	2/1913	Durkee .....	73/185
1,773,069	8/1930	Walker .....	73/185
D. 232,922	9/1974	Niskin .....	D10/96

*Primary Examiner*—Nelson C. Holtje  
*Attorney, Agent, or Firm*—Salvatore G. Militana

### [57] CLAIM

The ornamental design for a three bladed bayed flow meter, substantially as shown.

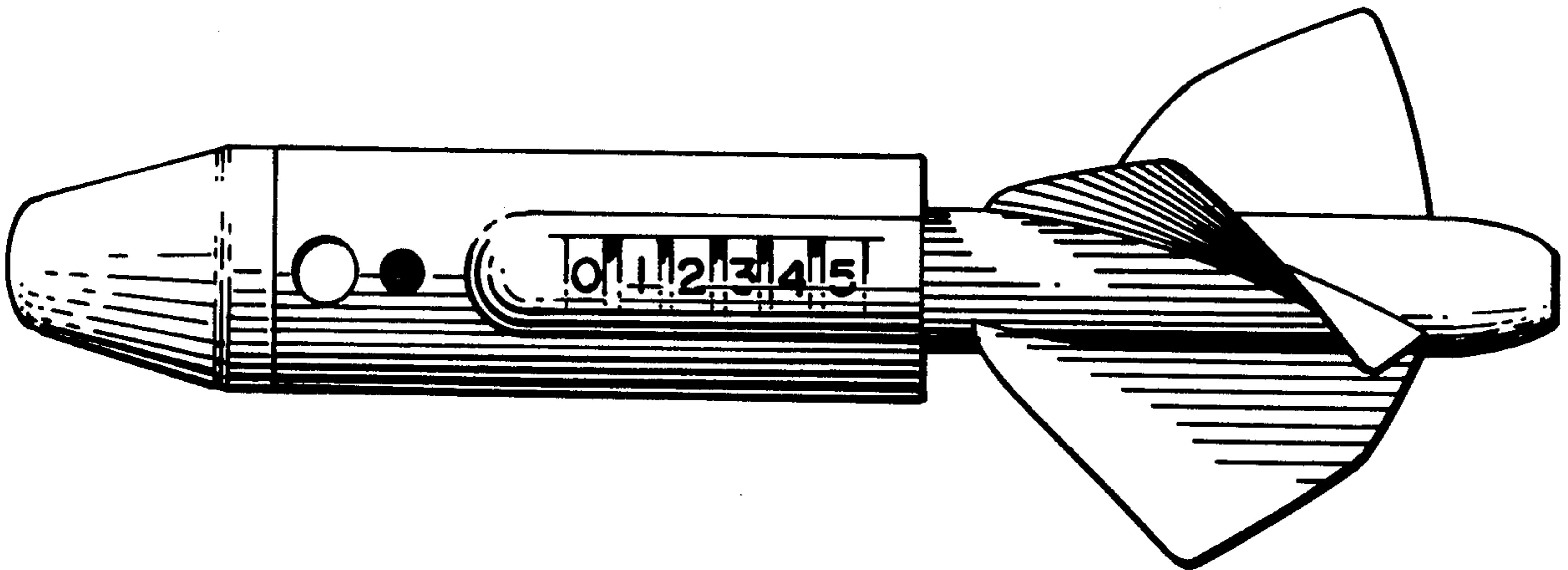
### DESCRIPTION

FIG. 1 is a top plan view of a three bladed bayed flow meter showing my new design.

FIG. 2 is a right side elevational view.

FIG. 3 is a front elevational view.

FIG. 4 is a rear elevational view.



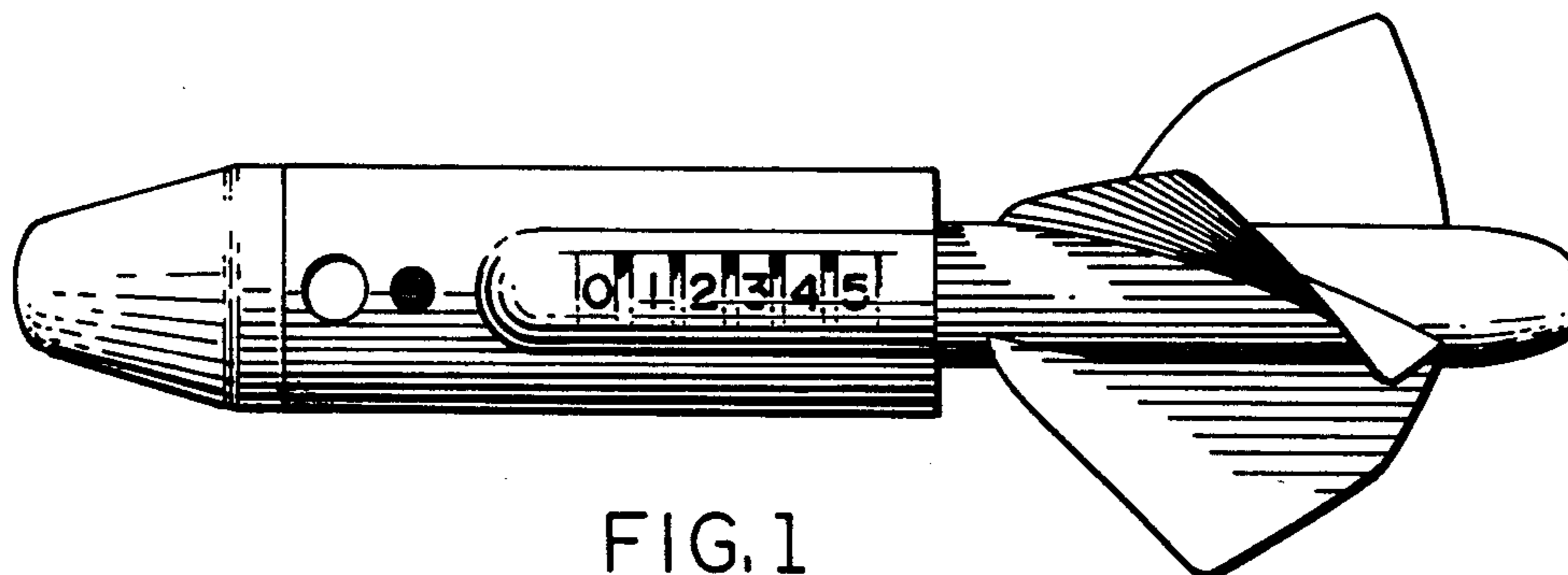


FIG. 1

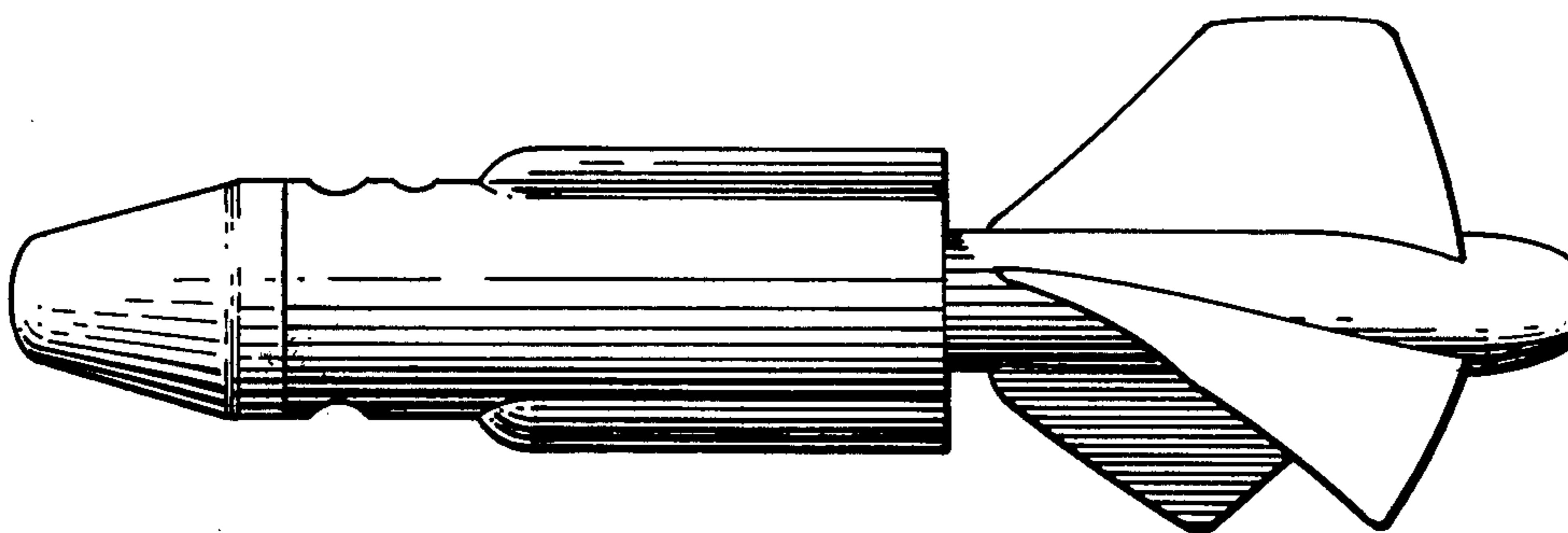


FIG. 2

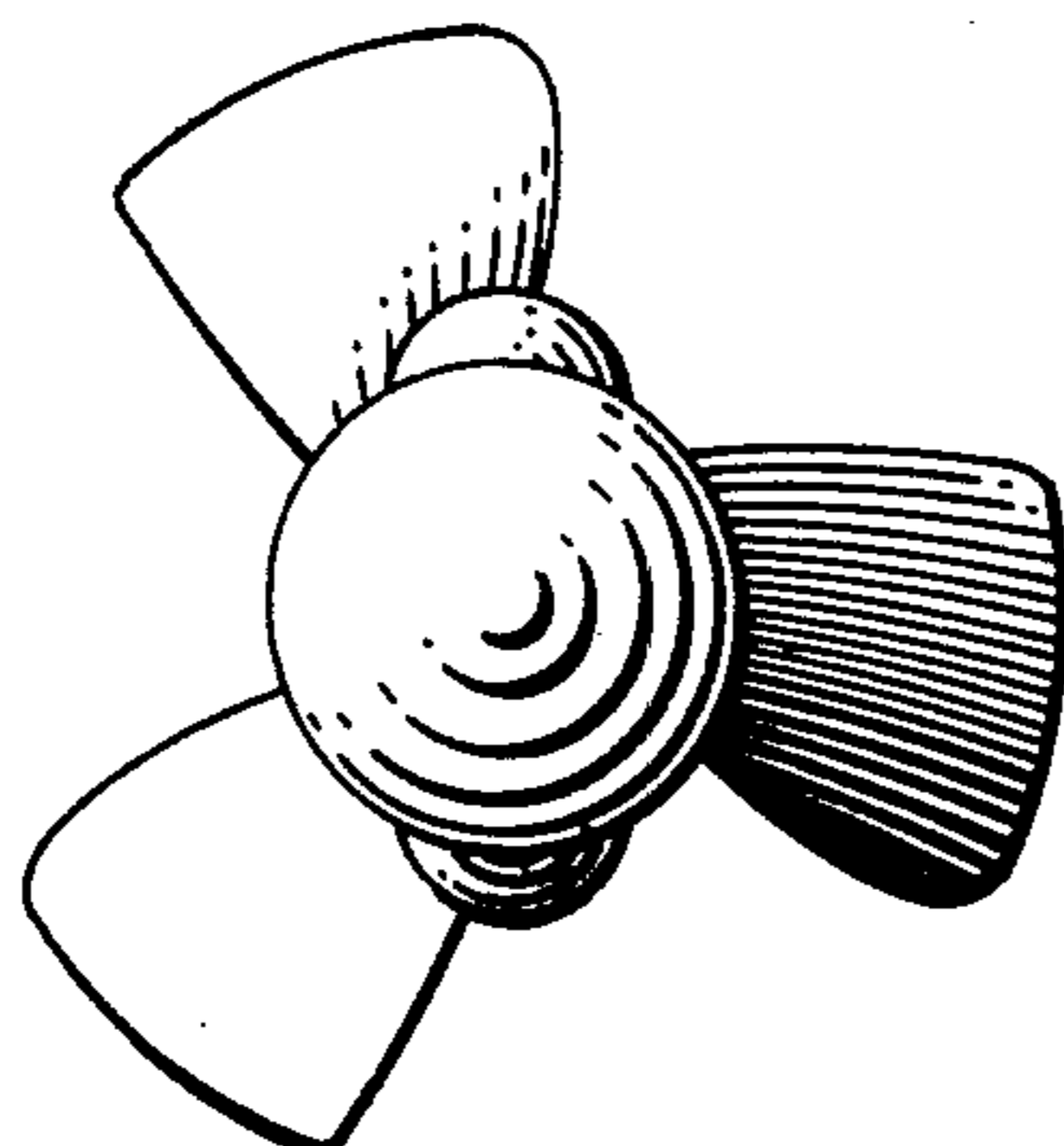


FIG. 3

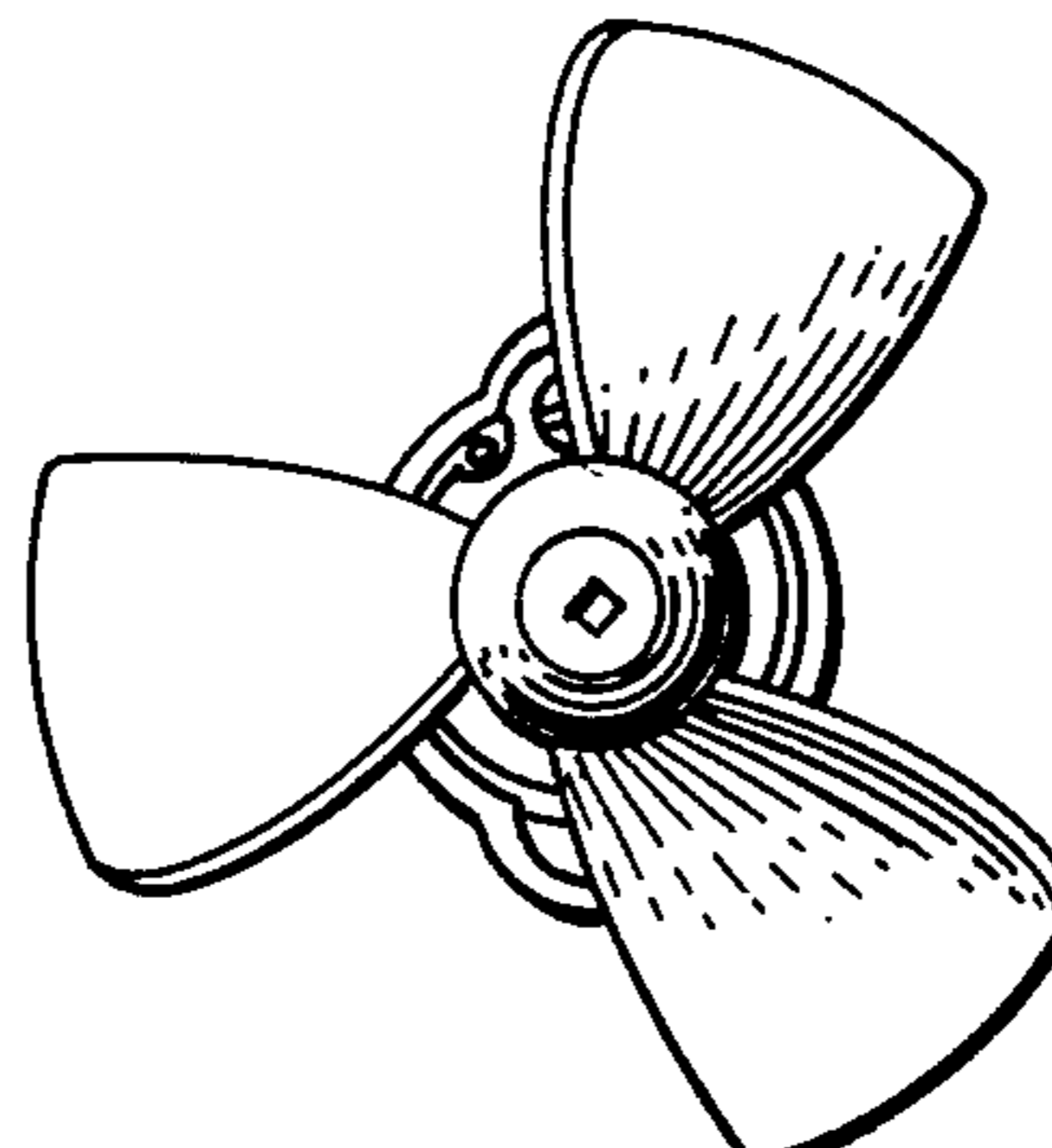


FIG. 4