

[54] **THREE BLADED CYLINDRICAL FLOW METER**

[76] Inventor: **Shale J. Niskin**, 2941 Lucaya, Coconut Grove, Fla. 33133

[**] Term: **14 Years**

[21] Appl. No.: **671,663**

[22] Filed: **Mar. 29, 1976**

[51] Int. Cl. **D10-04**

[52] U.S. Cl. **D10/96**

[58] Field of Search **D10/96, 97, 98, 103; 73/184, 185**

[56] **References Cited**

U.S. PATENT DOCUMENTS

326,207	9/1885	Favor	73/185
351,140	10/1886	Walker	73/185
1,052,714	2/1913	Durkee	73/185
1,773,069	8/1930	Walker	73/185
D. 232,922	9/1974	Niskin	D10/96

Primary Examiner—Nelson C. Holtje
Attorney, Agent, or Firm—Salvatore G. Militana

[57] **CLAIM**

The ornamental design for a three bladed cylindrical flow meter, substantially as shown.

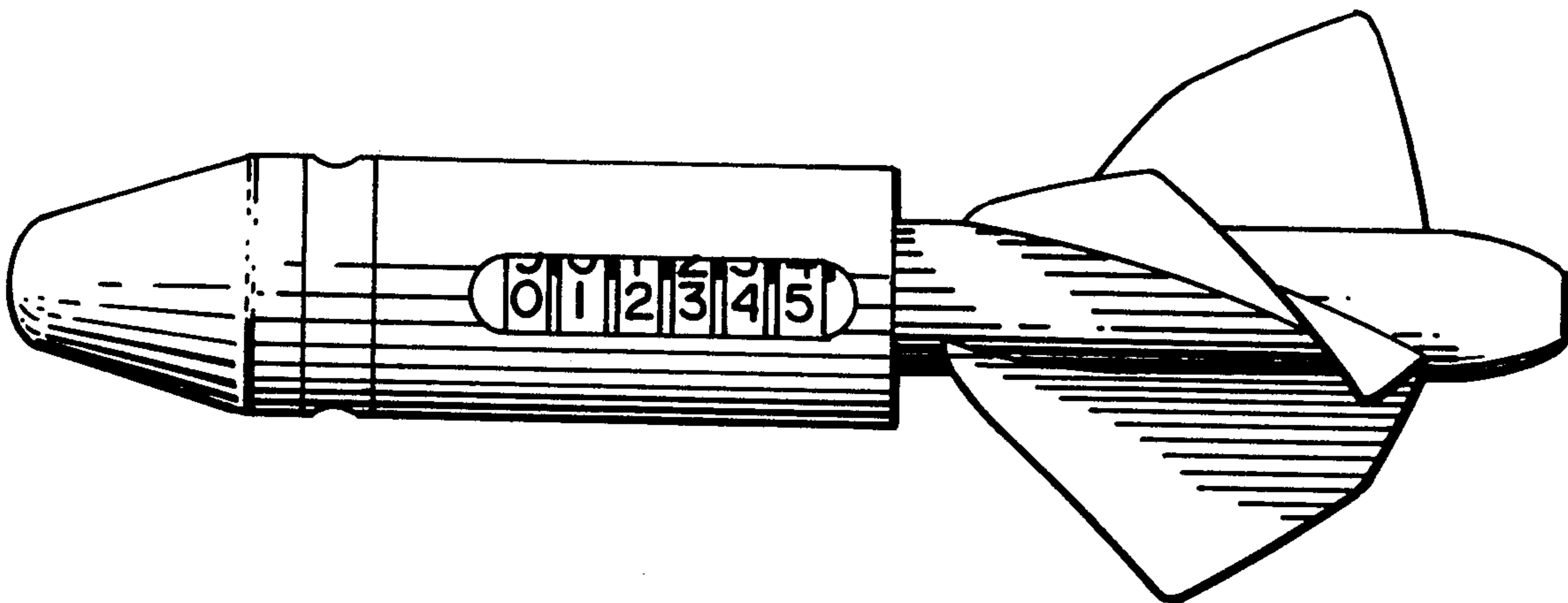
DESCRIPTION

FIG. 1 is a top plan view of a three bladed cylindrical flow meter showing my new design.

FIG. 2 is a right side elevational view.

FIG. 3 is a front elevational view.

FIG. 4 is a rear elevational view.



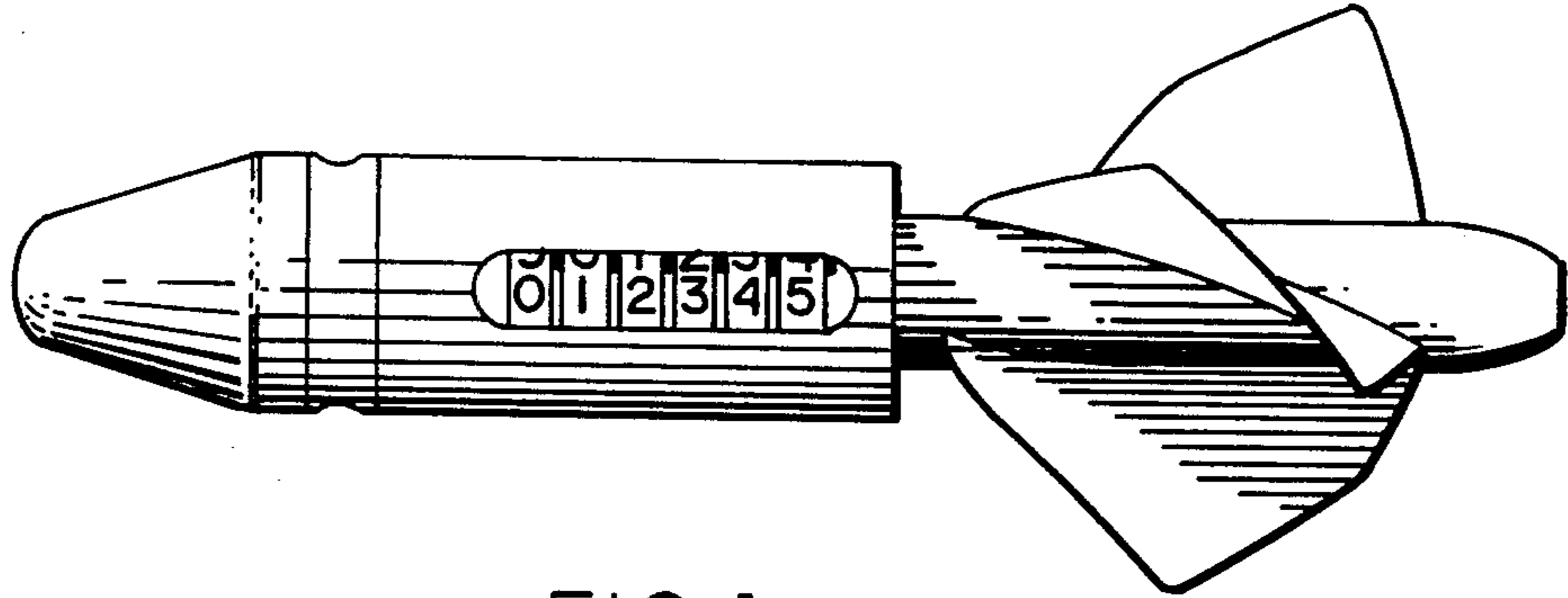


FIG. 1

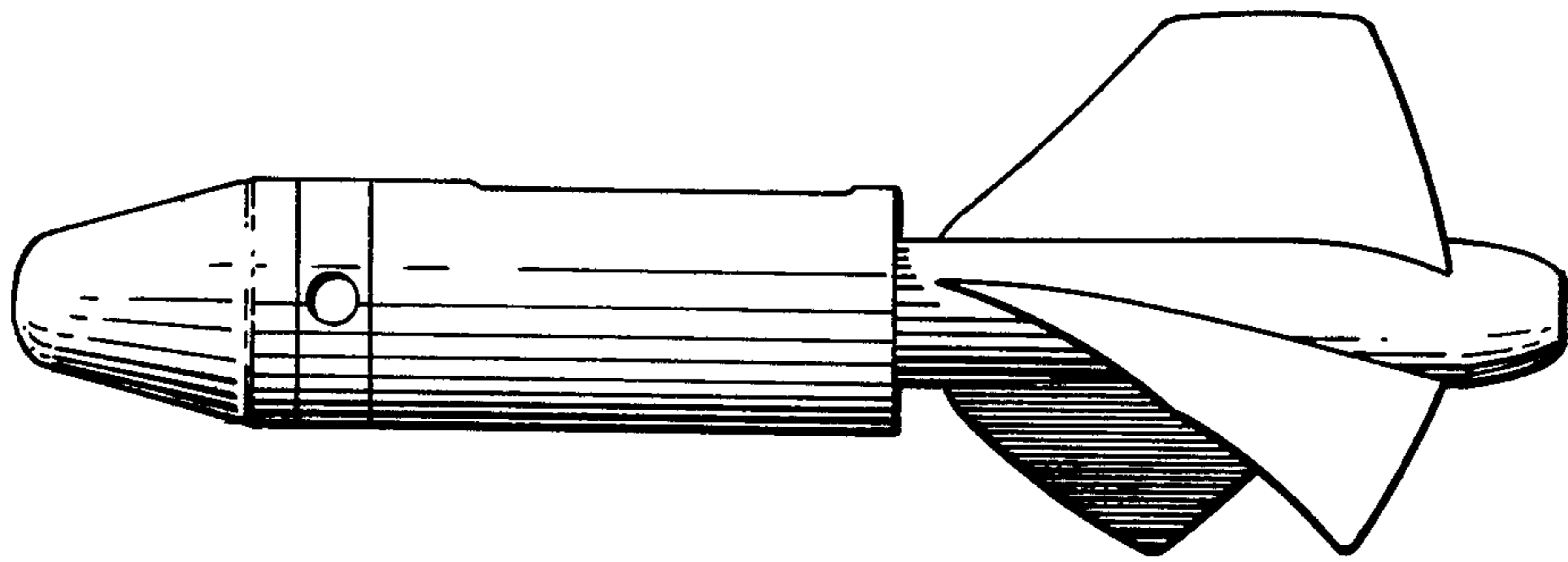


FIG. 2

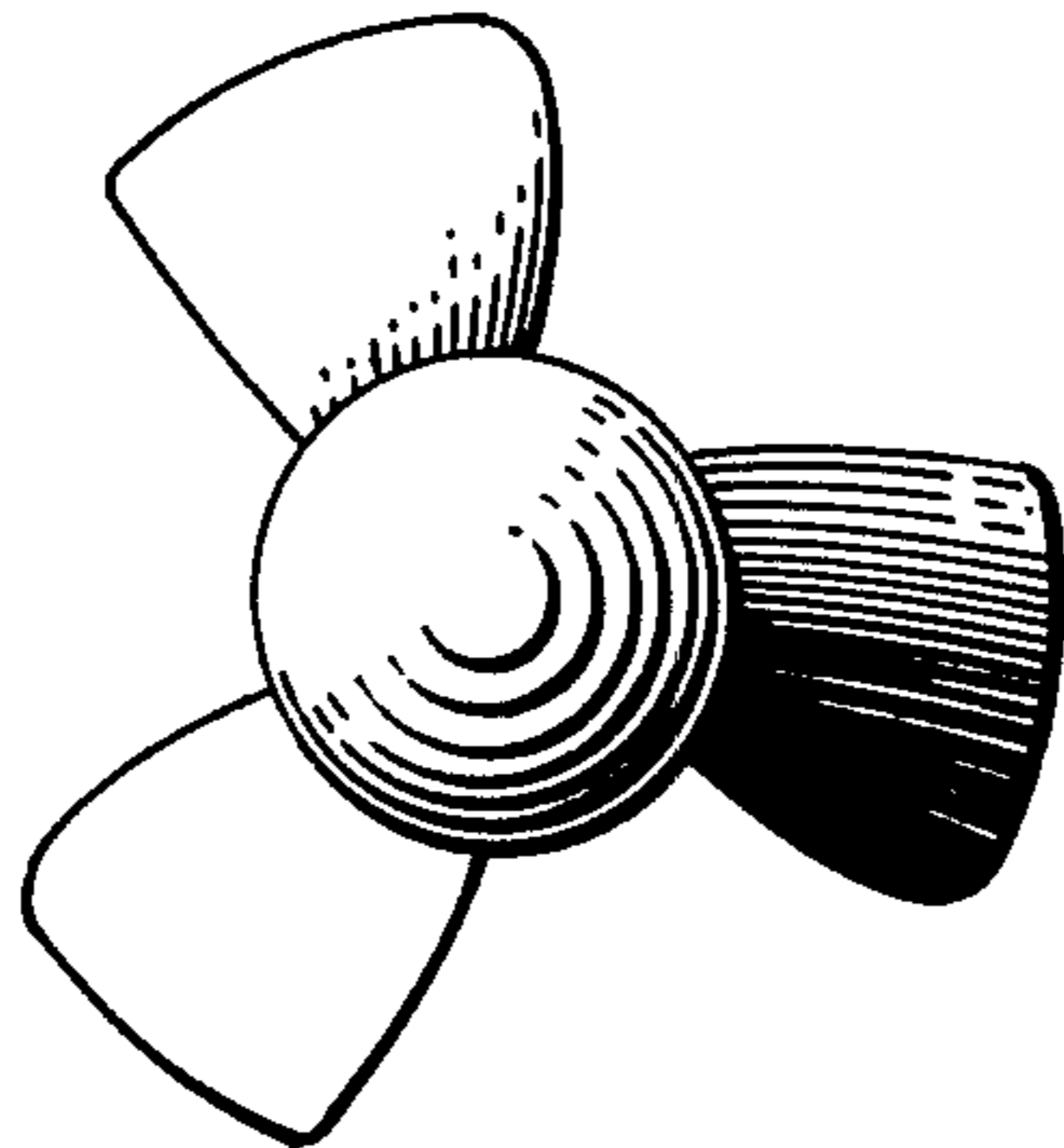


FIG. 3

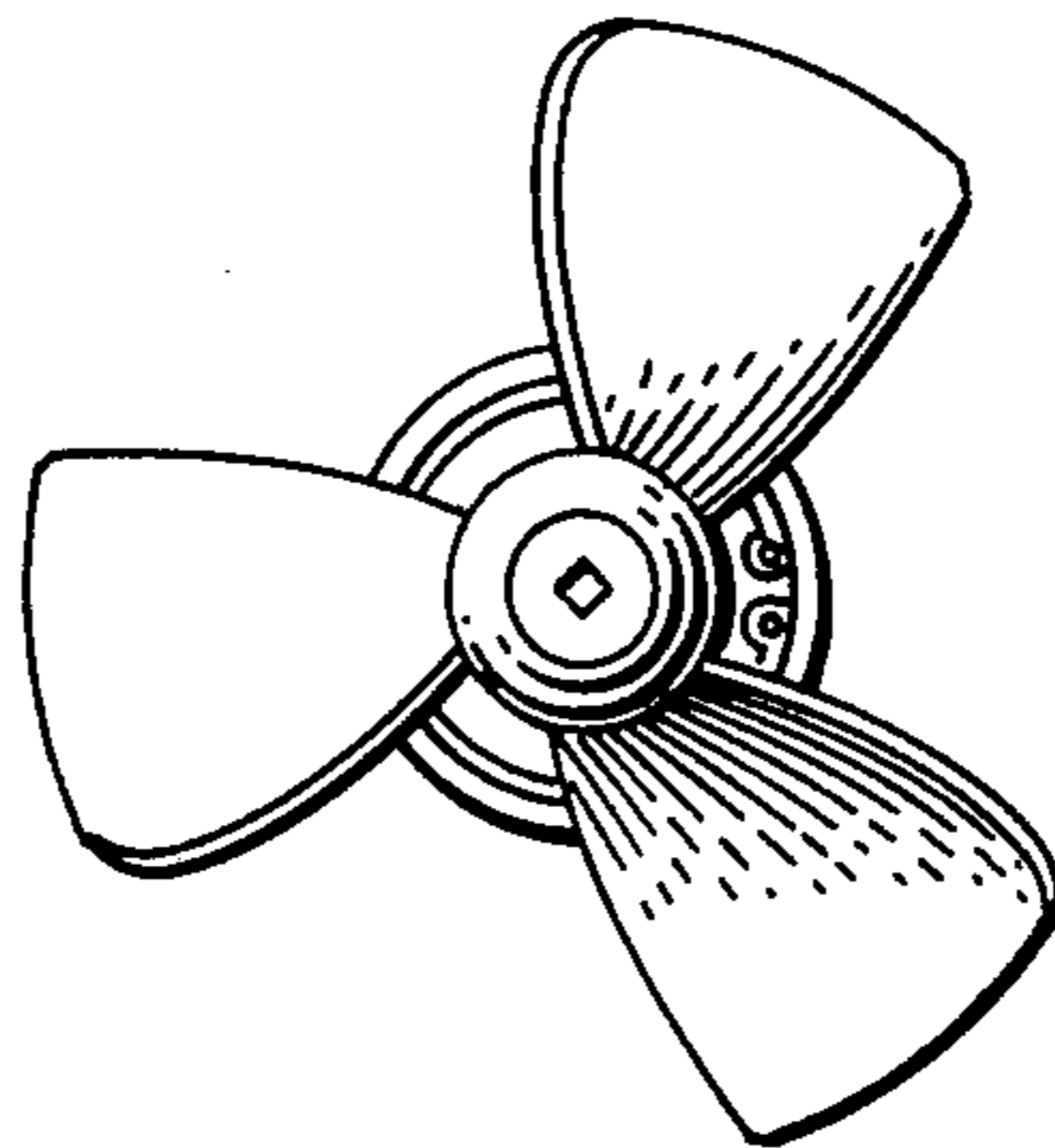


FIG. 4