

[54] SHIELDED FLOW METER

[76] Inventor: **Shale J. Niskin**, 2941 Lucaya,  
Coconut Grove, Fla. 33133

[\*\*] Term: **14 Years**

[21] Appl. No.: **671,662**

[22] Filed: **Mar. 29, 1976**

[51] Int. Cl. .... **D10-04**

[52] U.S. Cl. .... **D10/96**

[58] Field of Search ..... **D10/96, 97, 98, 103;  
73/185, 184**

[56] **References Cited**

**U.S. PATENT DOCUMENTS**

76,521	4/1868	Reid .....	73/185
439,840	11/1890	Granville .....	73/185
1,052,714	2/1913	Durkee .....	73/185 X
D. 232,922	9/1974	Niskin .....	D10/96

*Primary Examiner*—Nelson C. Holtje  
*Attorney, Agent, or Firm*—Salvatore G. Militana

[57] **CLAIM**

The ornamental design for a shielded flow meter, substantially as shown.

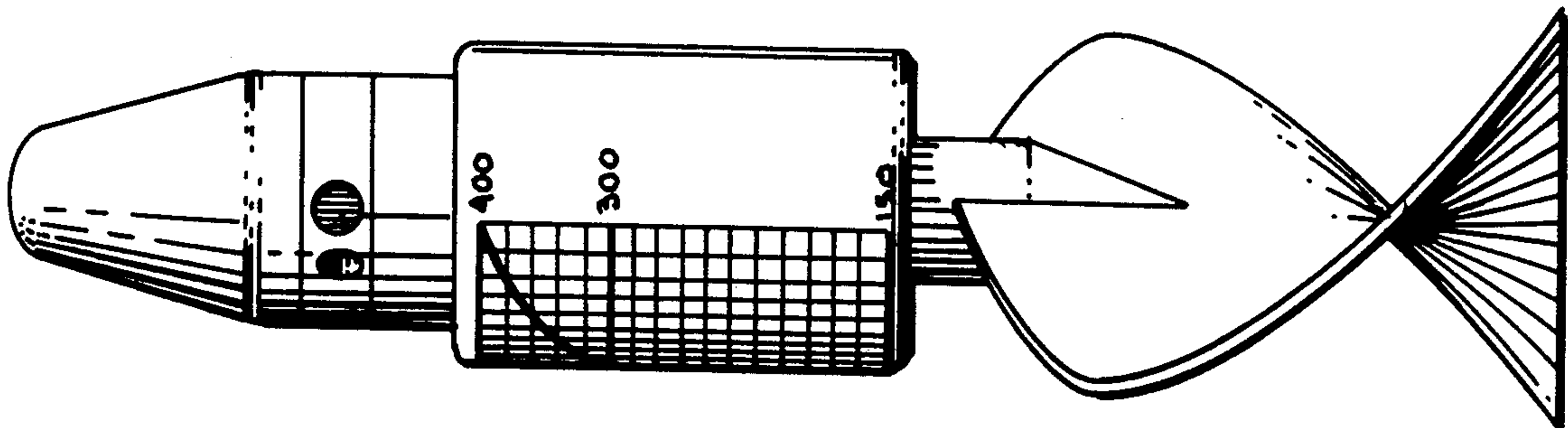
**DESCRIPTION**

FIG. 1 is a top plan view of a shielded flow meter showing my new design.

FIG. 2 is a similar view of the obverse side thereof.

FIG. 3 is a front elevational view.

FIG. 4 is a rear elevational view.



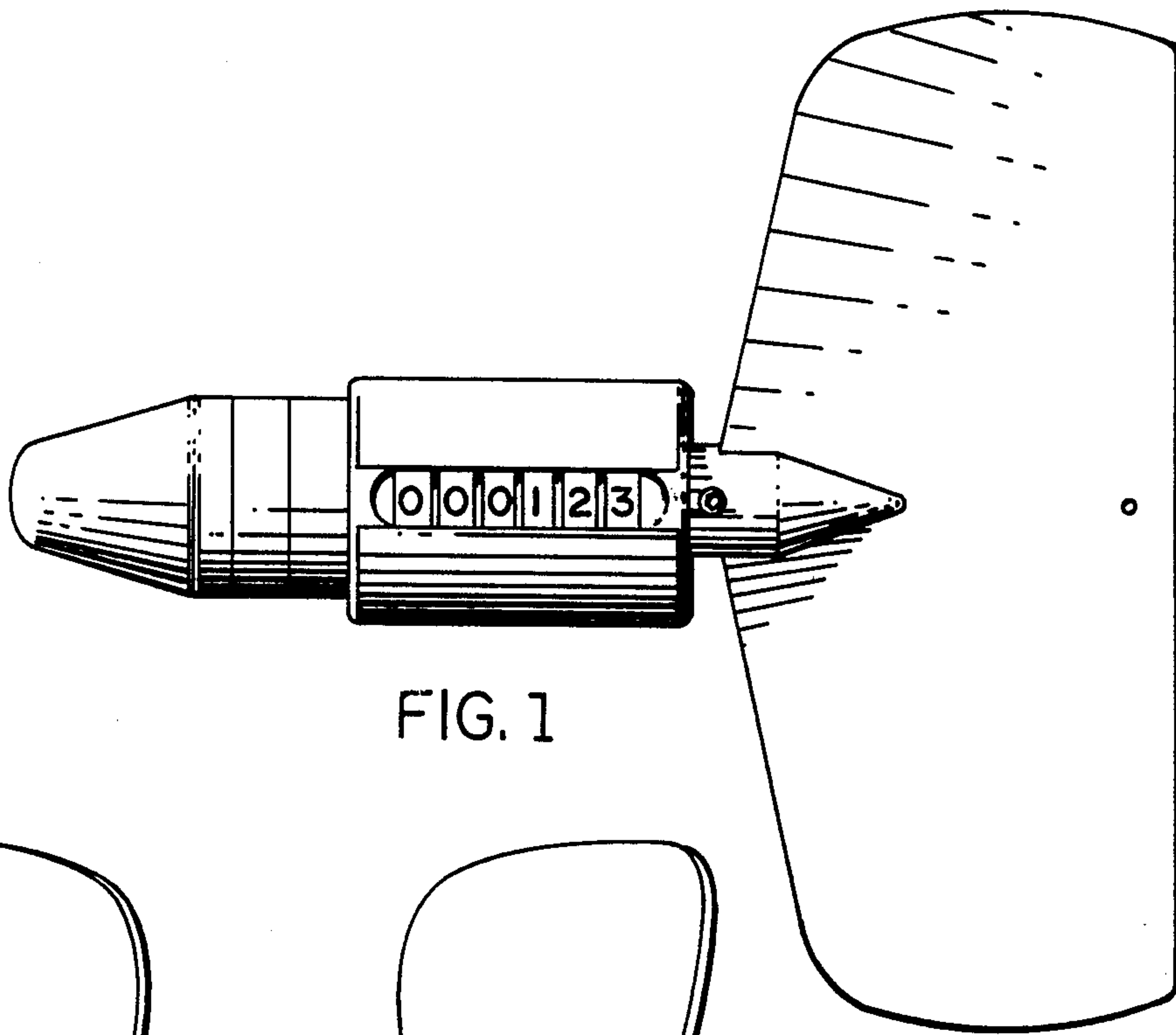


FIG. 1

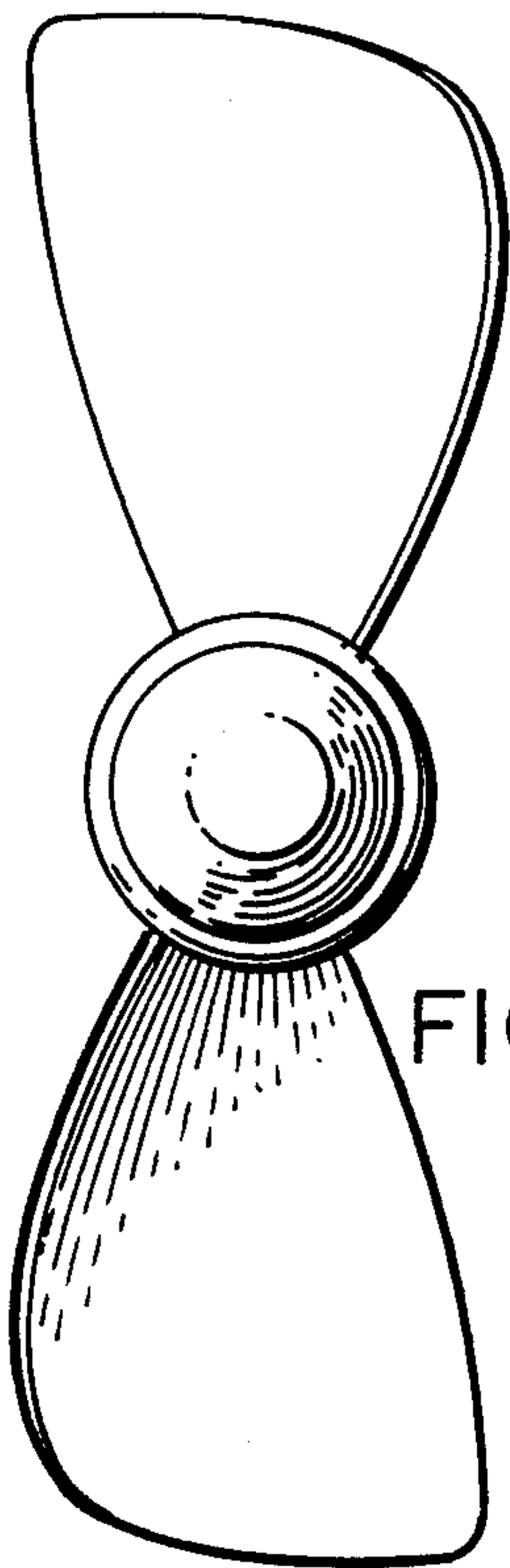


FIG. 3

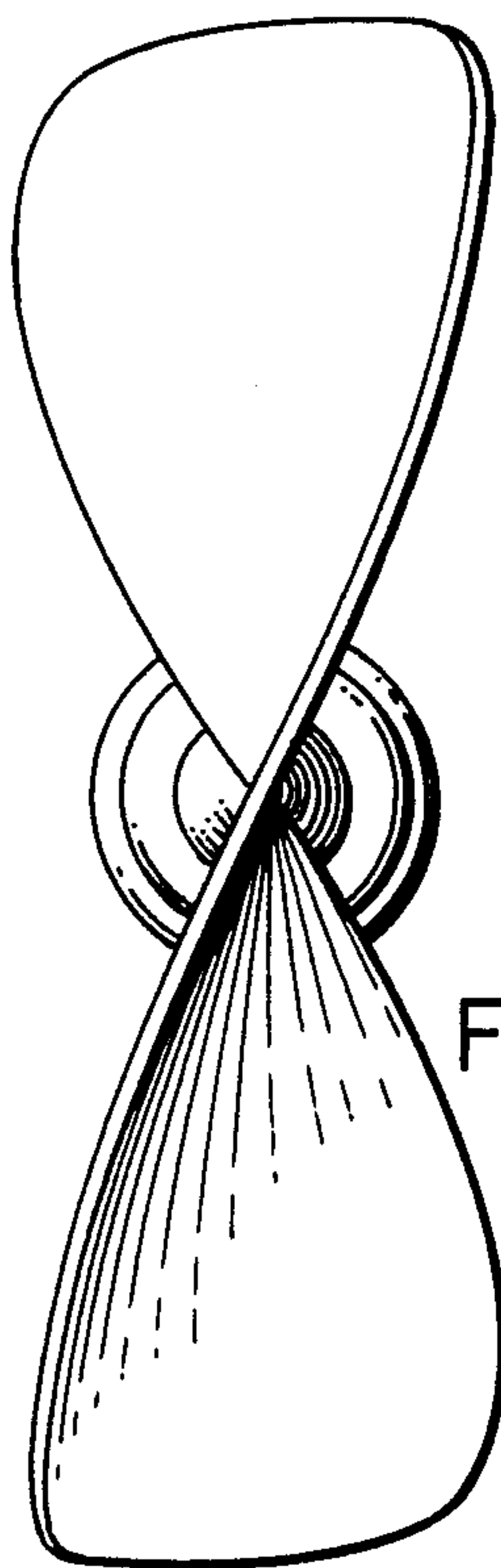


FIG. 4

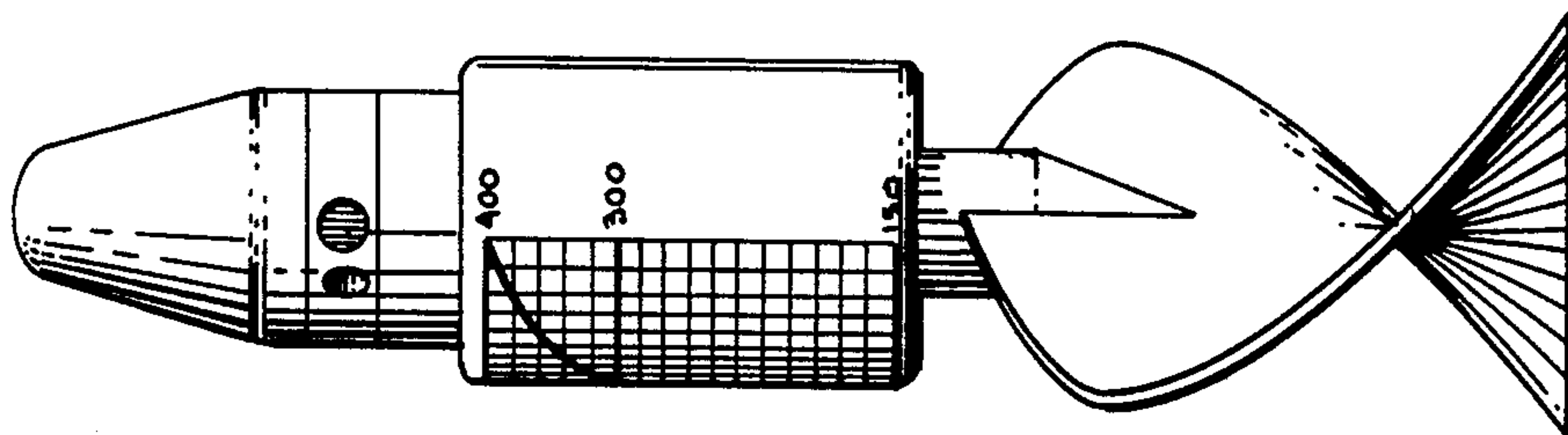


FIG. 2