

[54] DISPLAY CASE

[75] Inventor: Donald A. Malcolm, Roanoke Rapids, N.C.

[73] Assignee: W. R. Grace & Co., Duncan, S.C.

[\*\*] Term: 14 Years

[21] Appl. No.: 612,829

[22] Filed: Sept. 12, 1975

[51] Int. Cl. .... D9-03

[52] U.S. Cl. .... D9/224

[58] Field of Search ..... 206/44 R, 45.12, 45.17;  
229/52 B; D87/1 R, 5 E, 5 F; D9/180, 224

[56] References Cited

U.S. PATENT DOCUMENTS

D. 202,602 10/1965 Armbruster ..... D87/1 R

D. 210,646 3/1968 Everburg ..... D87/5 E  
D. 232,231 7/1974 Langieri ..... D87/1 R X  
D. 235,036 4/1975 Kuramochi ..... D87/1 R

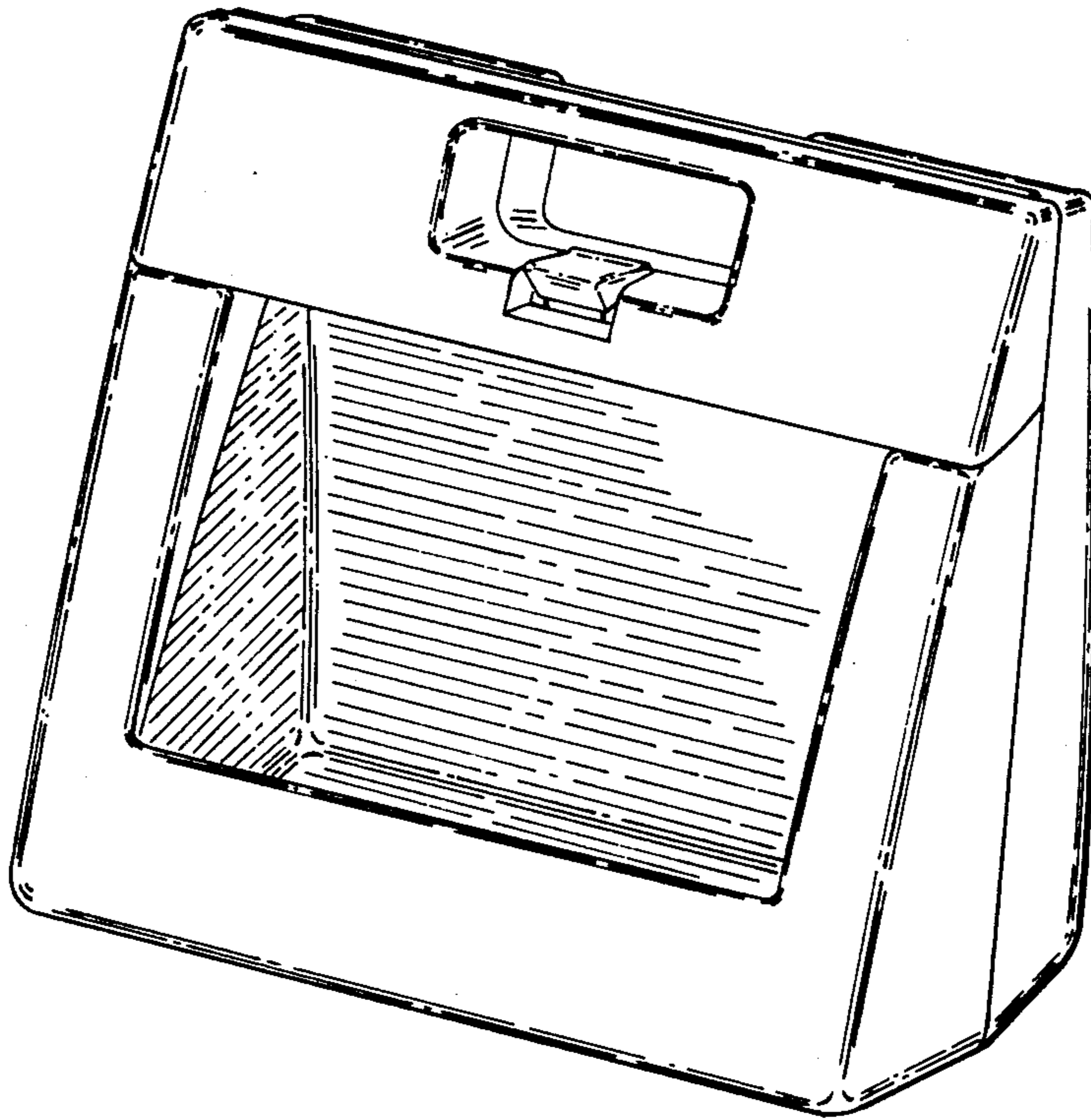
Primary Examiner—Robert C. Spangler  
Attorney, Agent, or Firm—John J. Toney

[57] CLAIM

The ornamental design for a display case or the like, as shown and described.

DESCRIPTION

FIG. 1 is a perspective view of a display case showing my new design in a closed condition;  
FIG. 2 is a perspective view thereof, in an open condition;  
FIG. 3 is a rear elevational view thereof, in closed condition; and,  
FIG. 4 is a rear elevational view thereof, in an open condition.



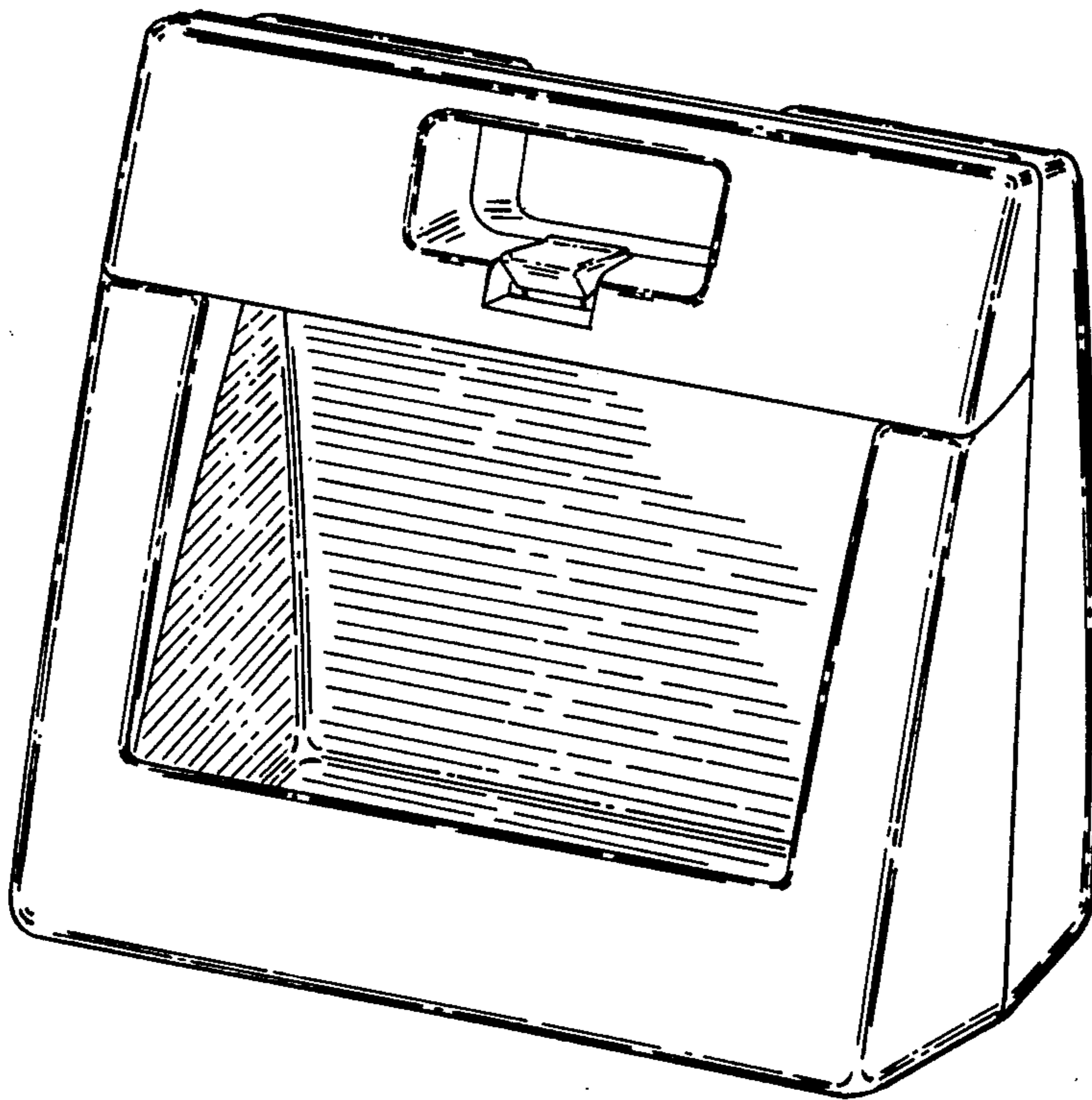


FIG. 1

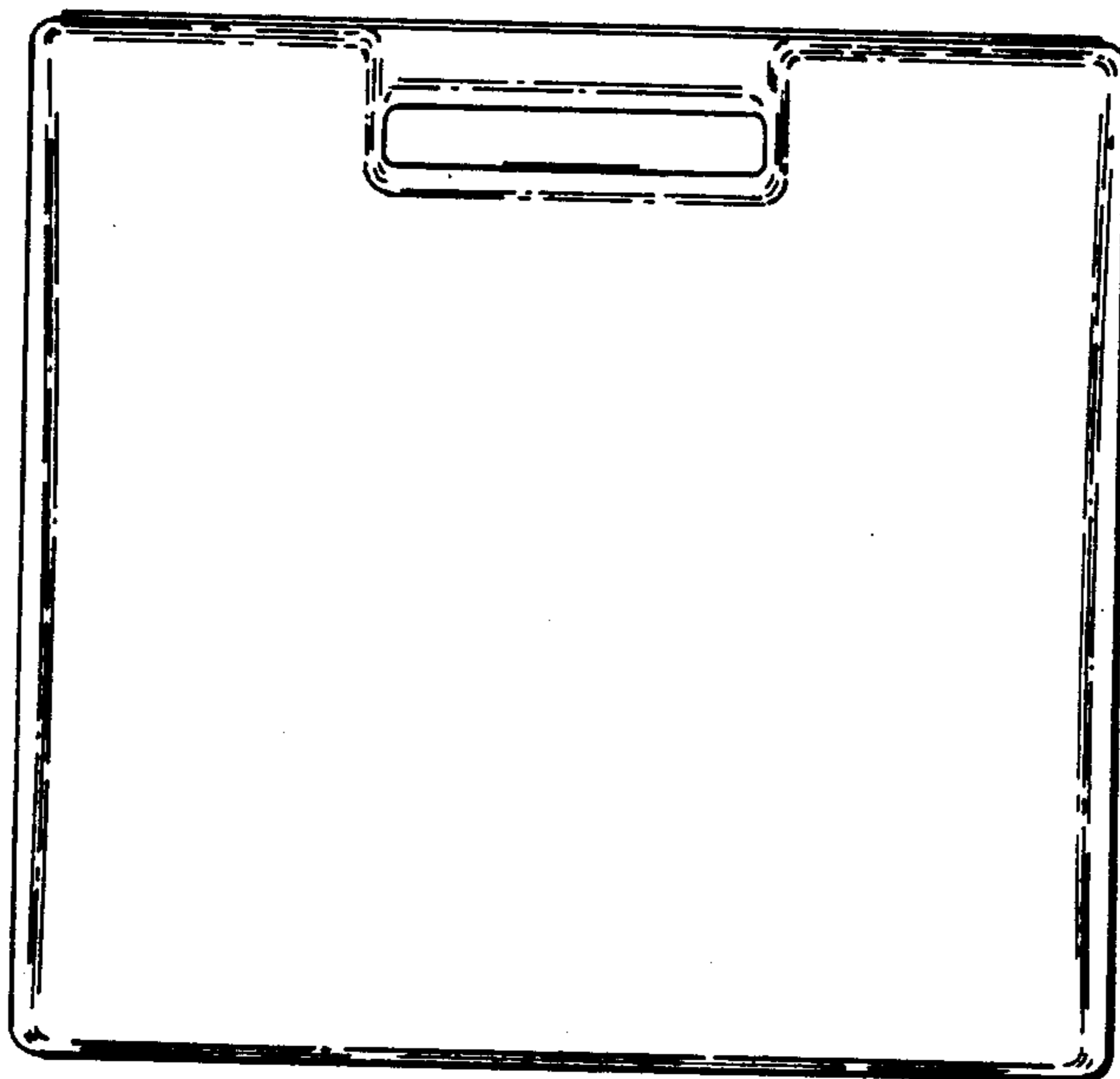


FIG. 3

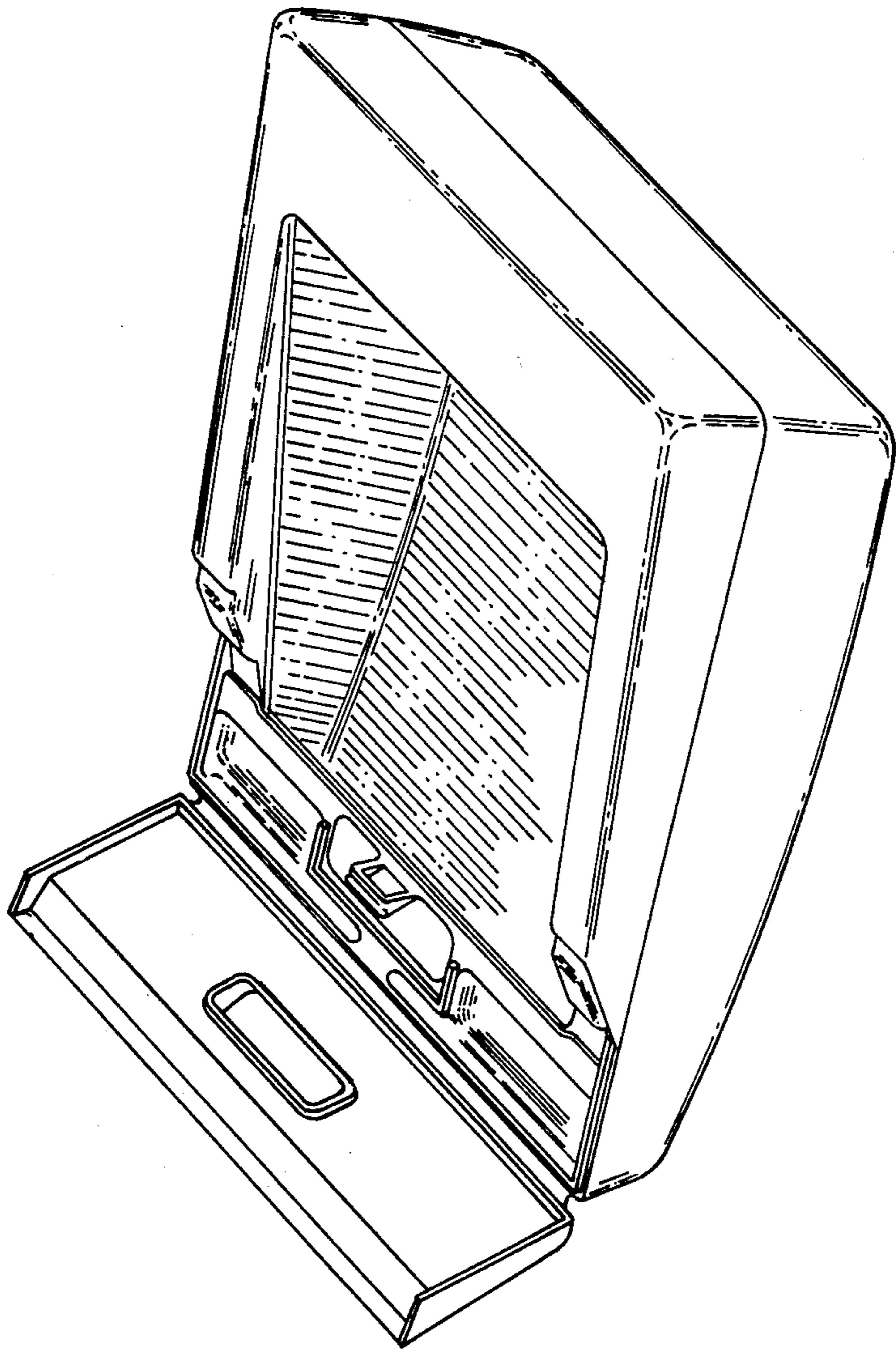


FIG. 2

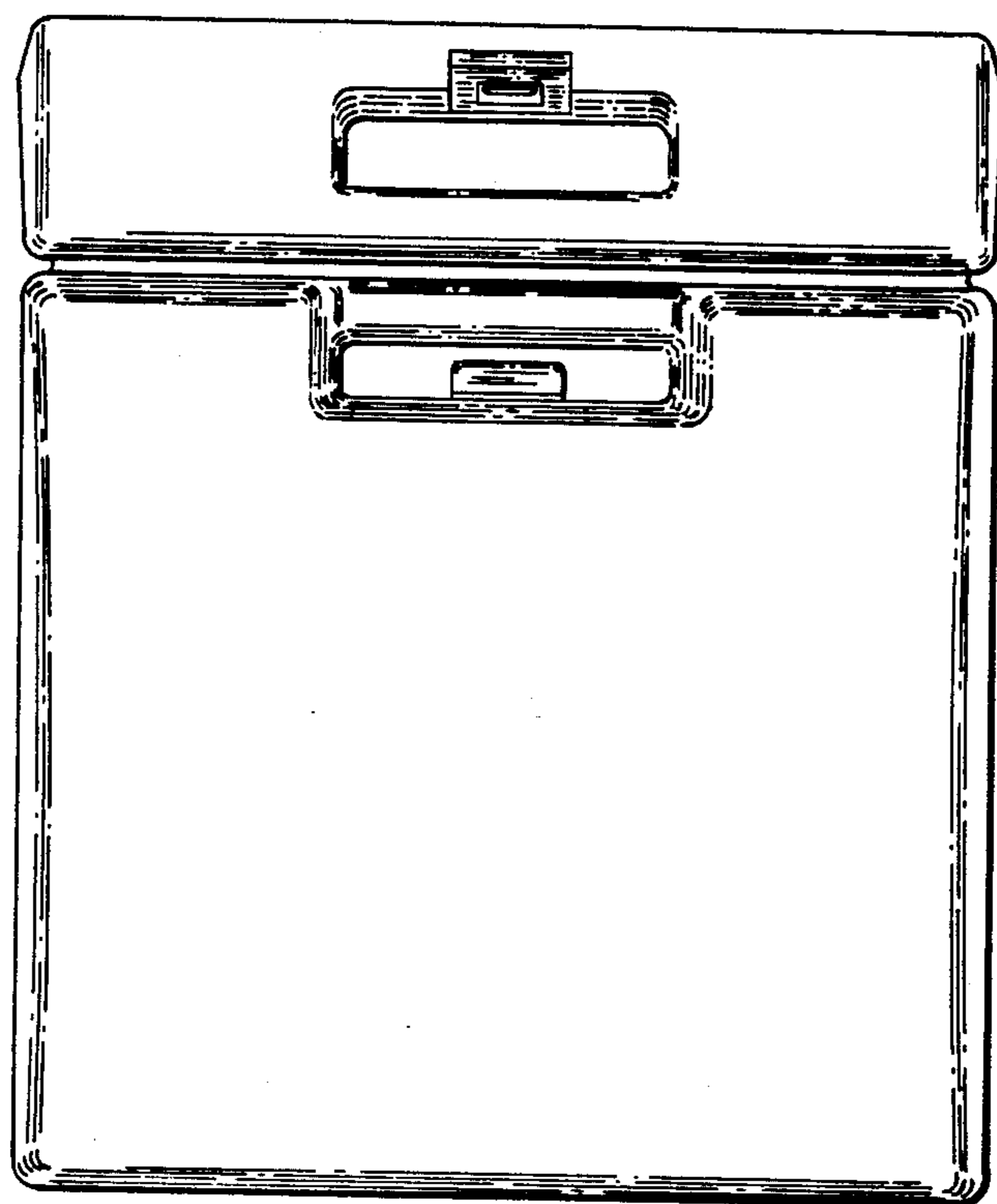


FIG. 4