

[54] COLLAPSIBLE DISPLAY CARTON

[76] Inventors: Christopher John Clough, 113 Welbeck Drive, Great Horton, Bradford 7, Yorkshire, England; Eric Jackson, 10 Rockville Drive, Embsay, Skipton, Yorkshire, England

[**] Term: 14 Years

[21] Appl. No.: 600,040

[22] Filed: July 29, 1975

[51] Int. Cl. D9-03
[52] U.S. Cl. D9/224
[58] Field of Search D9/171, 191, 193, 221, D9/224, 245; 229/8, 16 R, 16 D; 206/45.14, 45.31, 216, 315, 491

[56] References Cited

U.S. PATENT DOCUMENTS

3,722,470 3/1973 Farrell 229/8 X
3,815,735 6/1974 Cucuo 229/8 X

FOREIGN PATENT DOCUMENTS

987,099 8/1951 France 206/45.31
783,295 9/1957 United Kingdom 229/16 D

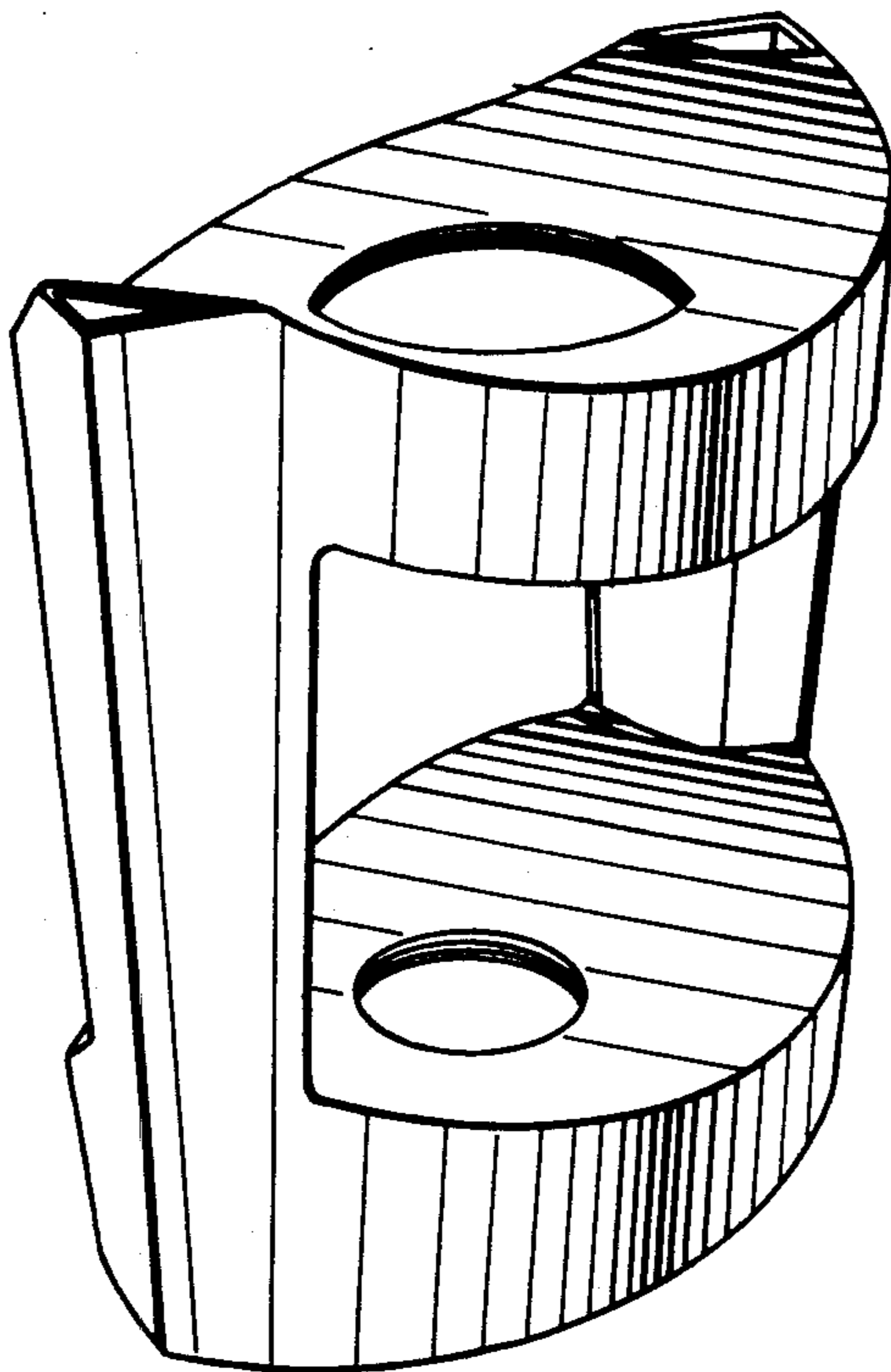
Primary Examiner—Joel Stearman
Assistant Examiner—Louis S. Zarfes
Attorney, Agent, or Firm—William D. Hall

[57] CLAIM

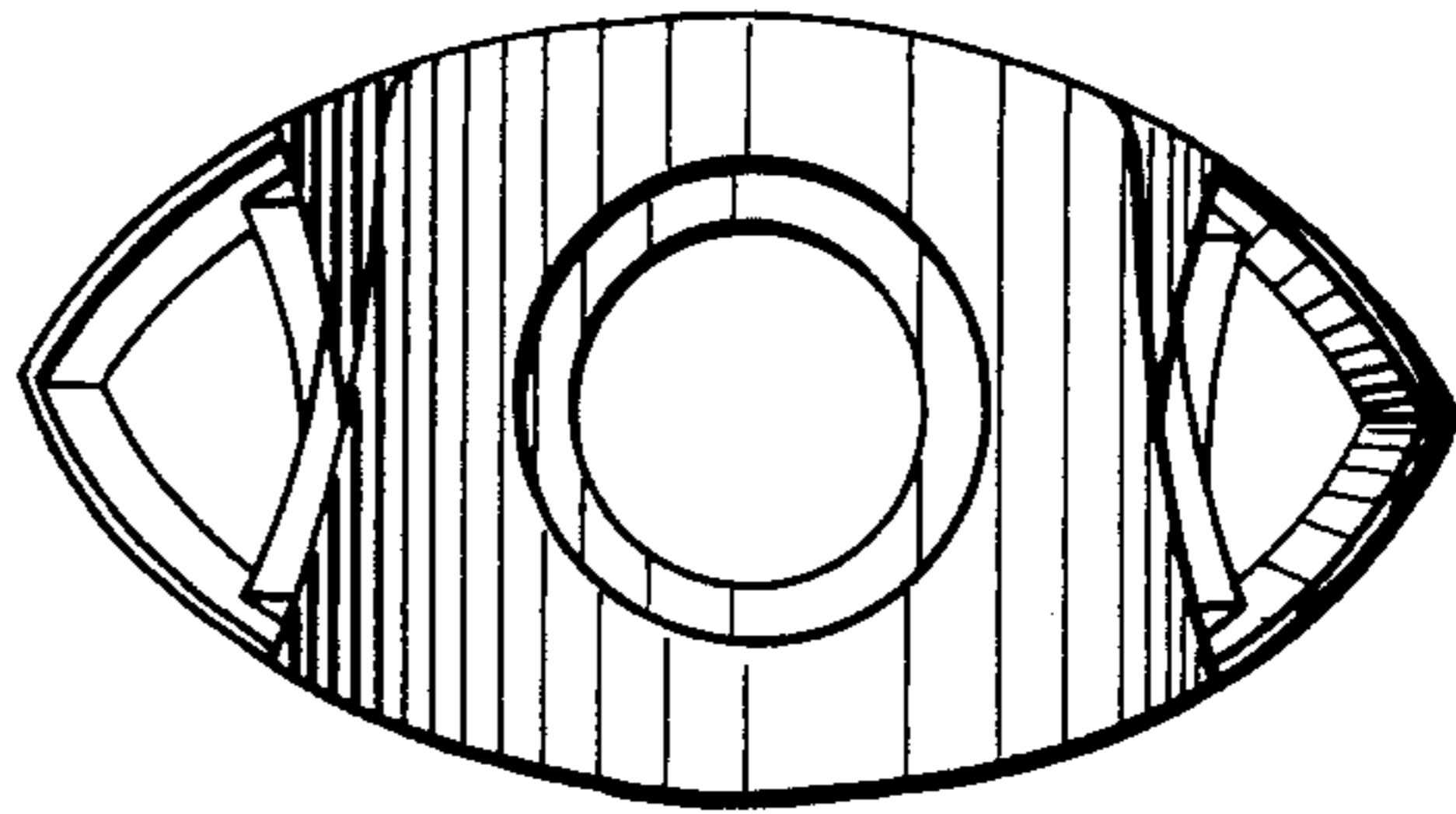
The ornamental design for a collapsible display carton, substantially as shown.

DESCRIPTION

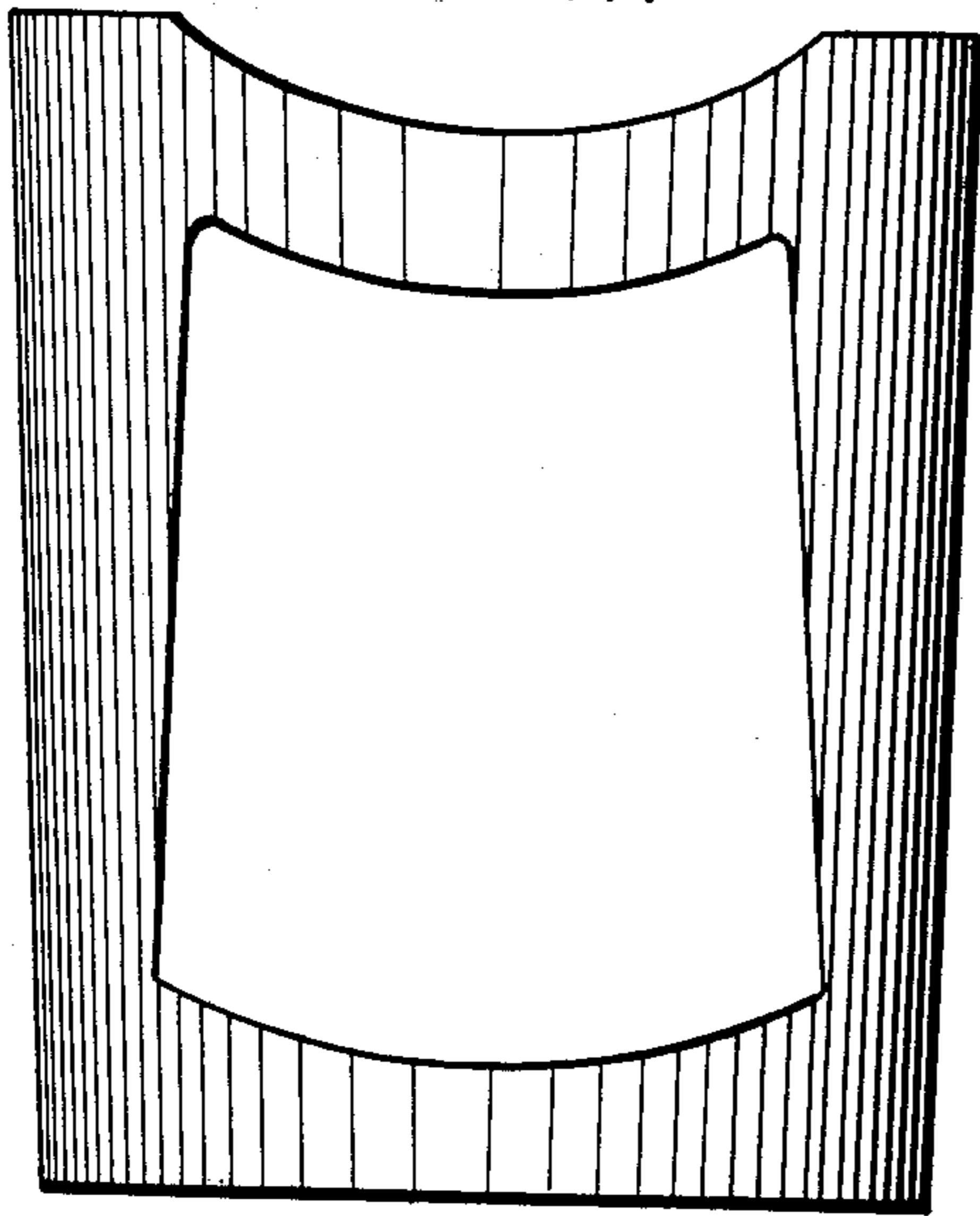
FIG. 1 is a front elevational view of a collapsible display carton showing our new design; FIG. 2 is a top plan view of the carton, FIG. 3 is a bottom plan view of the carton, and FIG. 4 is a perspective view of the carton from above.



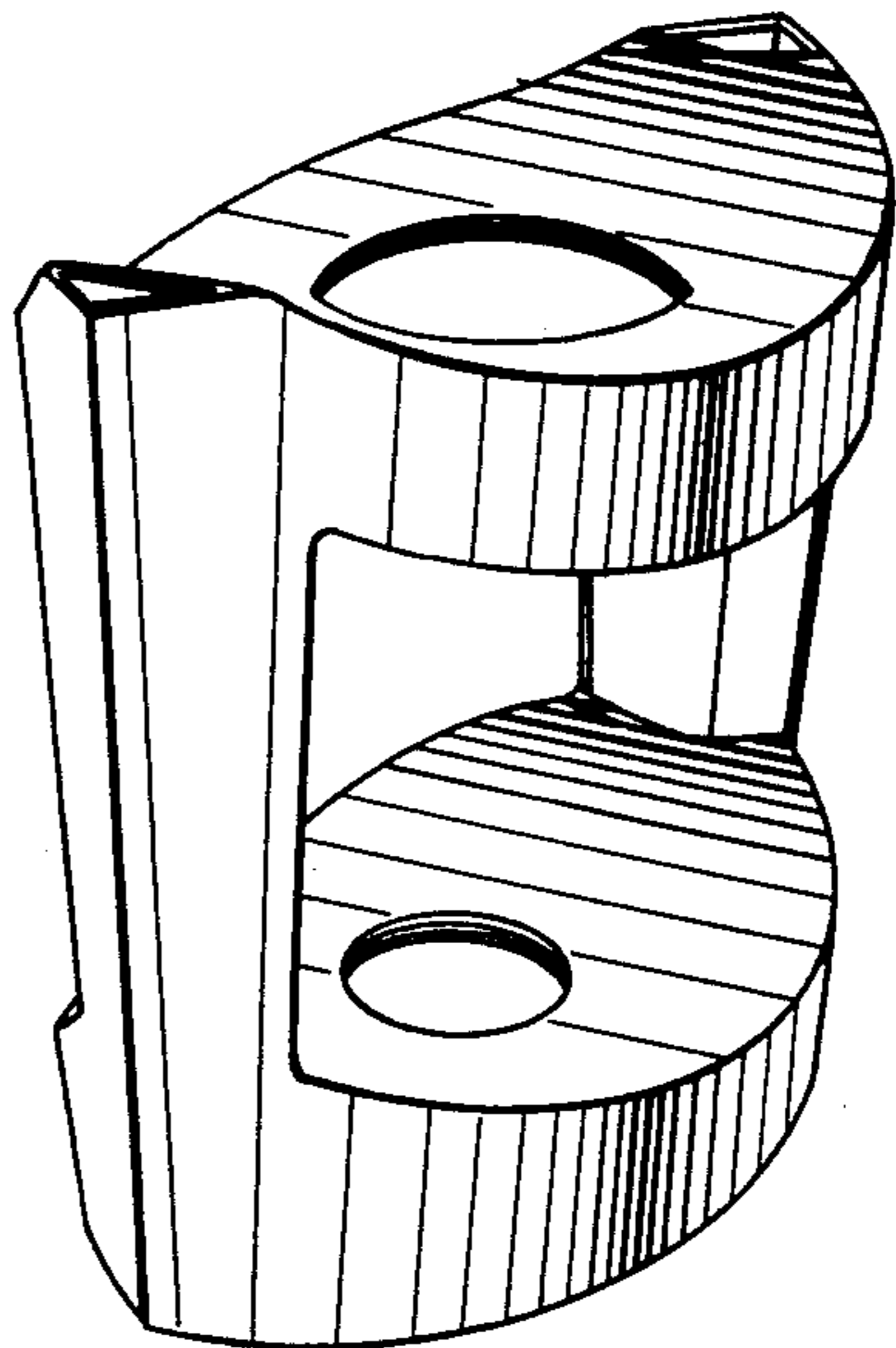
—FIG. 2—



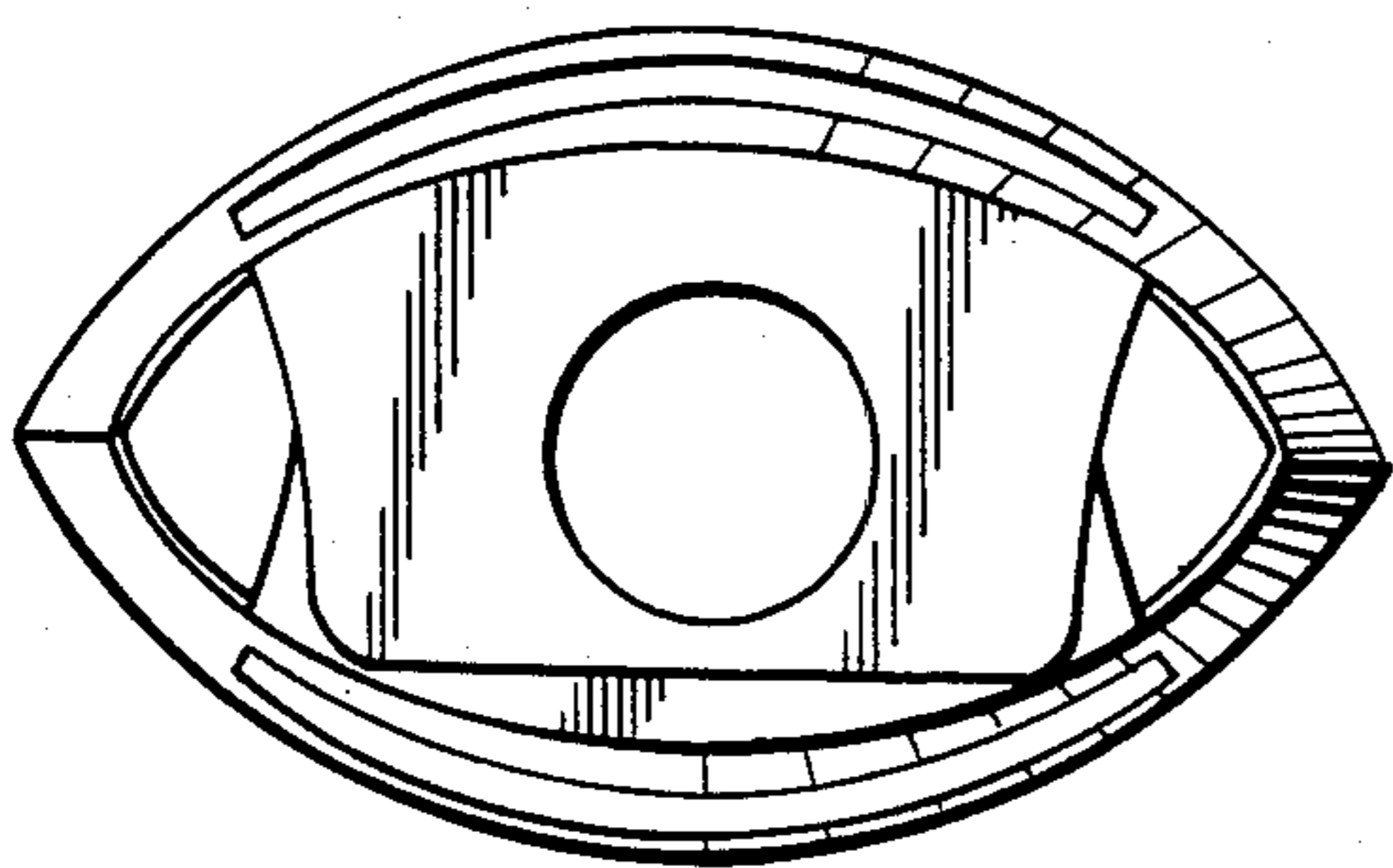
—FIG. 1—



—FIG. 4—



—FIG. 3—



UNITED STATES PATENT OFFICE
CERTIFICATE OF CORRECTION

Patent No. DES. No. 245,478 Dated August 23, 1977

Inventor(s) Christopher John Clough et al.

It is certified that error appears in the above-identified patent and that said Letters Patent are hereby corrected as shown below:

On the Cover sheet insert:

-- [73] Assignee: Field, Sons & Company Limited
Lidget Green, Bradford, West
Yorks, Great Britain --.

Signed and Sealed this

Twenty-first Day of February 1978

[SEAL]

Attest:

RUTH C. MASON
Attesting Officer

LUTRELLE F. PARKER
Acting Commissioner of Patents and Trademarks