

[54] GOLF TEE SHARPENER

[76] Inventor: David Francis Cammarota, 2233 Broad Hollow Road, Farmingdale, N.Y. 11735

[**] Term: 14 Years

[21] Appl. No.: 655,686

[22] Filed: Feb. 6, 1976

[51] Int. Cl. D8-05

[52] U.S. Cl. D8/91

[58] Field of Search D19/73; D34/5 CB; D8/98, 91

[56] References Cited

U.S. PATENT DOCUMENTS

D. 126,734 4/1941 Ross D19/73

Primary Examiner—Alan P. Douglas
Attorney, Agent, or Firm—Barnwell R. King

[57] CLAIM

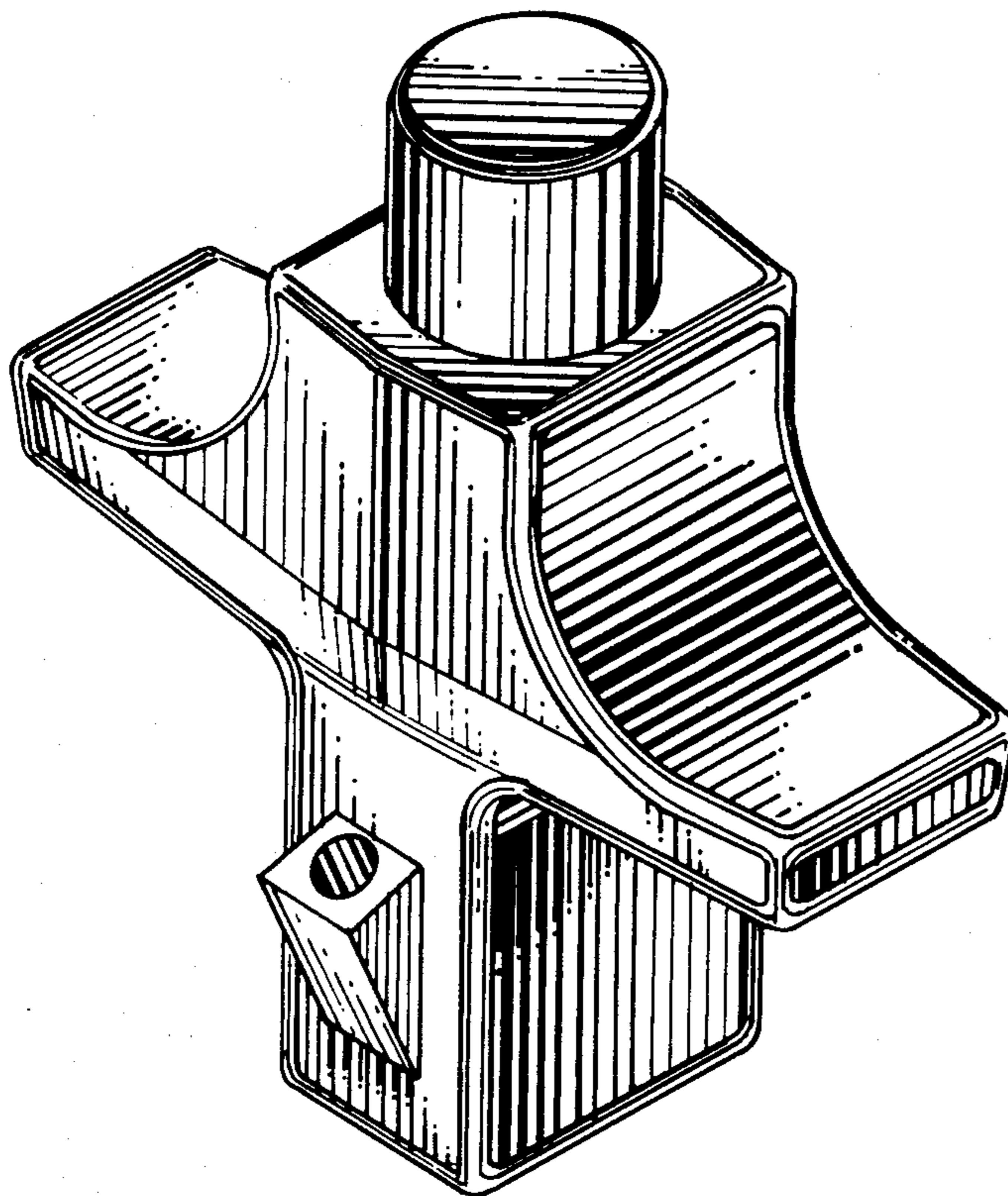
The ornamental design for a golf tee sharpener, as shown.

DESCRIPTION

FIG. 1 is a perspective view looking downwardly toward the top and front of the golf tee sharpener of the invention.

FIG. 2 is a view in rear elevation of the golf tee sharpener.

FIG. 3 is a top plan view thereof; and
FIG. 4 is a view in side elevation of FIG. 2.



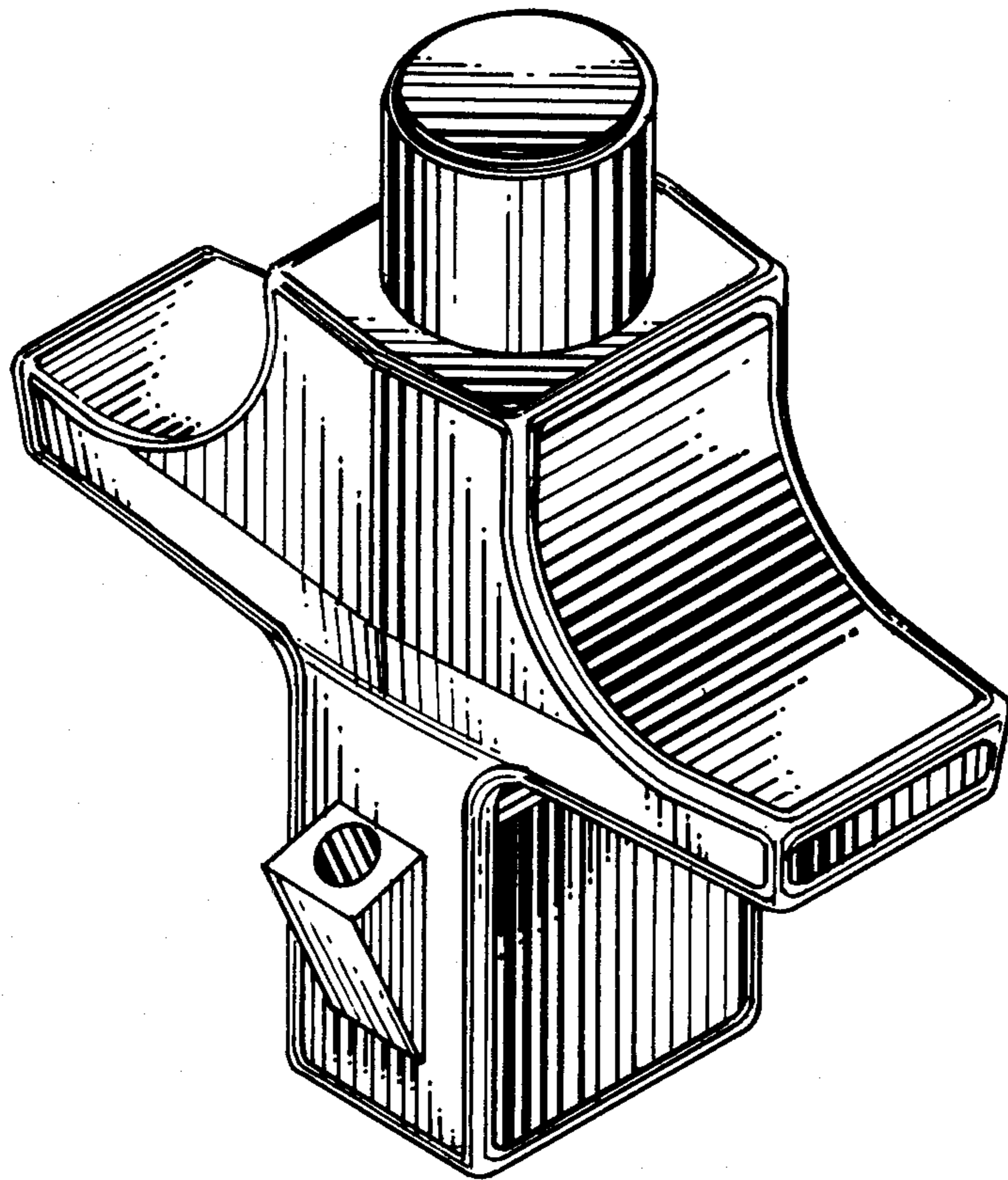


FIG. 1

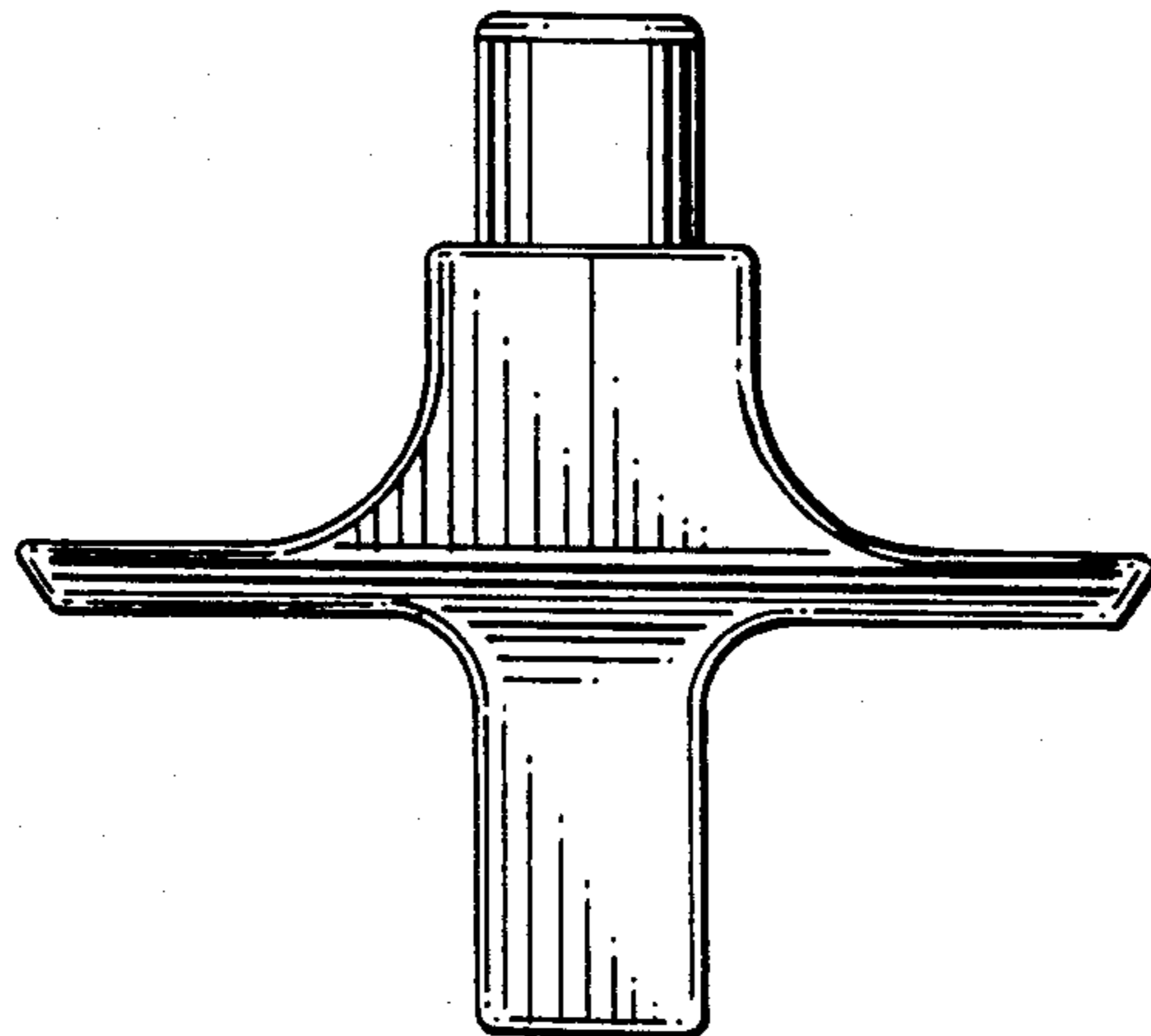


FIG. 2

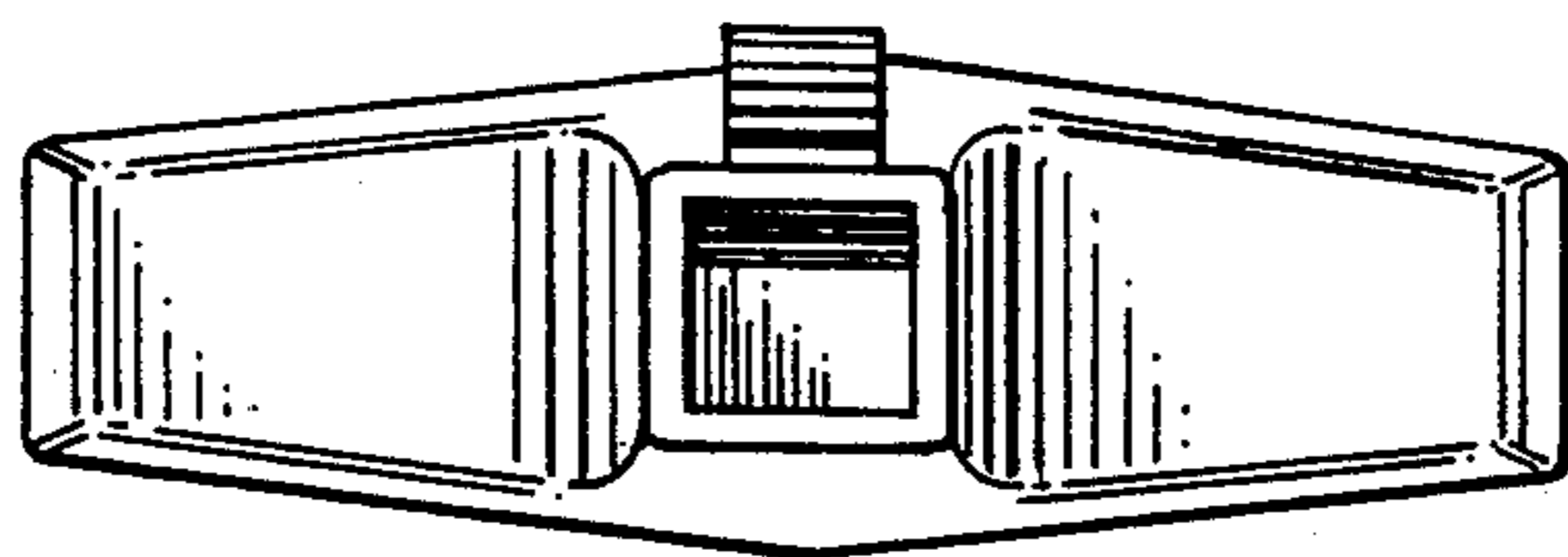


FIG. 3

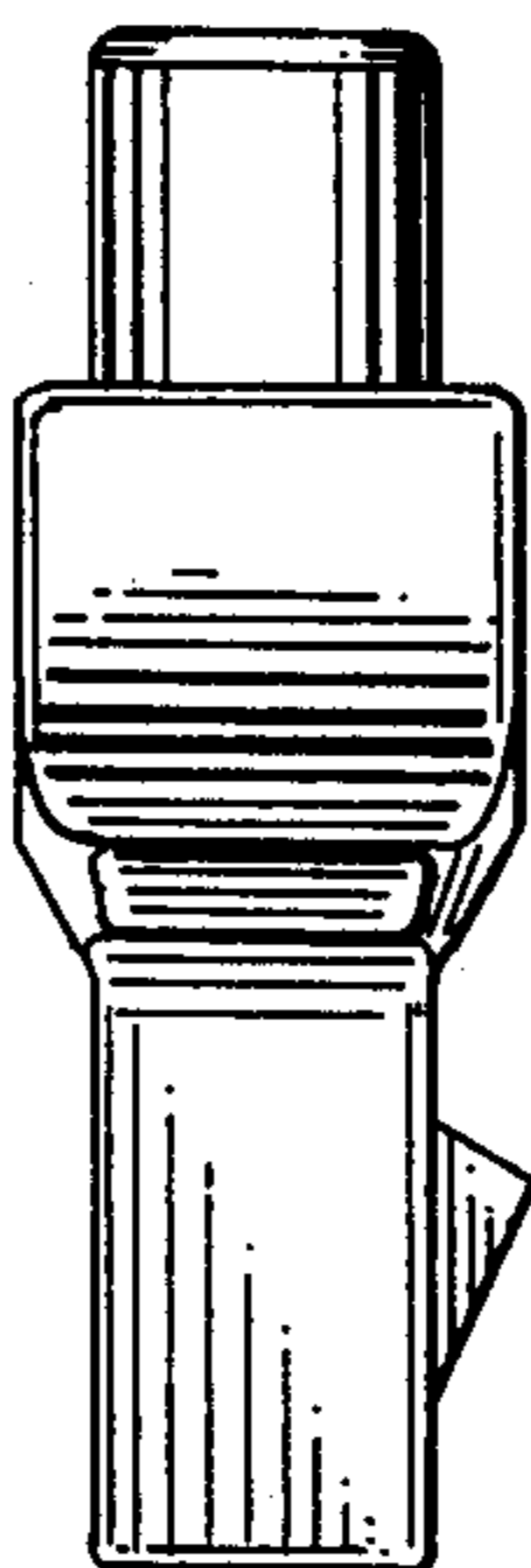


FIG. 4