

[54] TABLE

[75] Inventor: Norton Jay Horwitz, Knoxville, Tenn.

[73] Assignee: Silver Manufacturing, Inc.

[\*\*] Term: 14 Years

[21] Appl. No.: 699,061

[22] Filed: June 23, 1976

[51] Int. Cl. .... D6-03

[52] U.S. Cl. .... D6/175

[58] Field of Search ..... D6/58, 20, 27, 175, D6/177, 196, 176; 108/161, 23, 149

[56] References Cited

U.S. PATENT DOCUMENTS

D. 97,142	10/1935	Millington	.....	D6/196
D. 171,557	2/1954	Remstein	.....	D6/177 X
D. 224,494	8/1972	Kerman	.....	D6/177
D. 227,631	7/1973	Sakata	.....	D6/58
D. 235,596	7/1975	Birnbaum	.....	D6/177

D. 237,336	10/1975	Loscalzo et al.	.....	D6/176
D. 238,133	12/1975	Uebele	.....	D6/175

Primary Examiner—Bruce W. Dunkins  
Attorney, Agent, or Firm—George B. Newitt

[57] CLAIM

The ornamental design for a table, as shown and described.

DESCRIPTION

FIG. 1 is a front perspective view of a table showing my new design;  
FIG. 2 is a side elevational view thereof;  
FIG. 3 is a front elevational view thereof;  
FIG. 4 is a top plan view thereof;  
FIG. 5 is a bottom plan view thereof;  
FIG. 6 is a perspective view of a alternative table embodying the particular corner configuration of FIG. 1; and  
FIG. 7 is a perspective view of a further alternative table embodying the particular corner configuration of FIG. 1.

The table is characterized by the particular configuration of the corners thereof as shown.

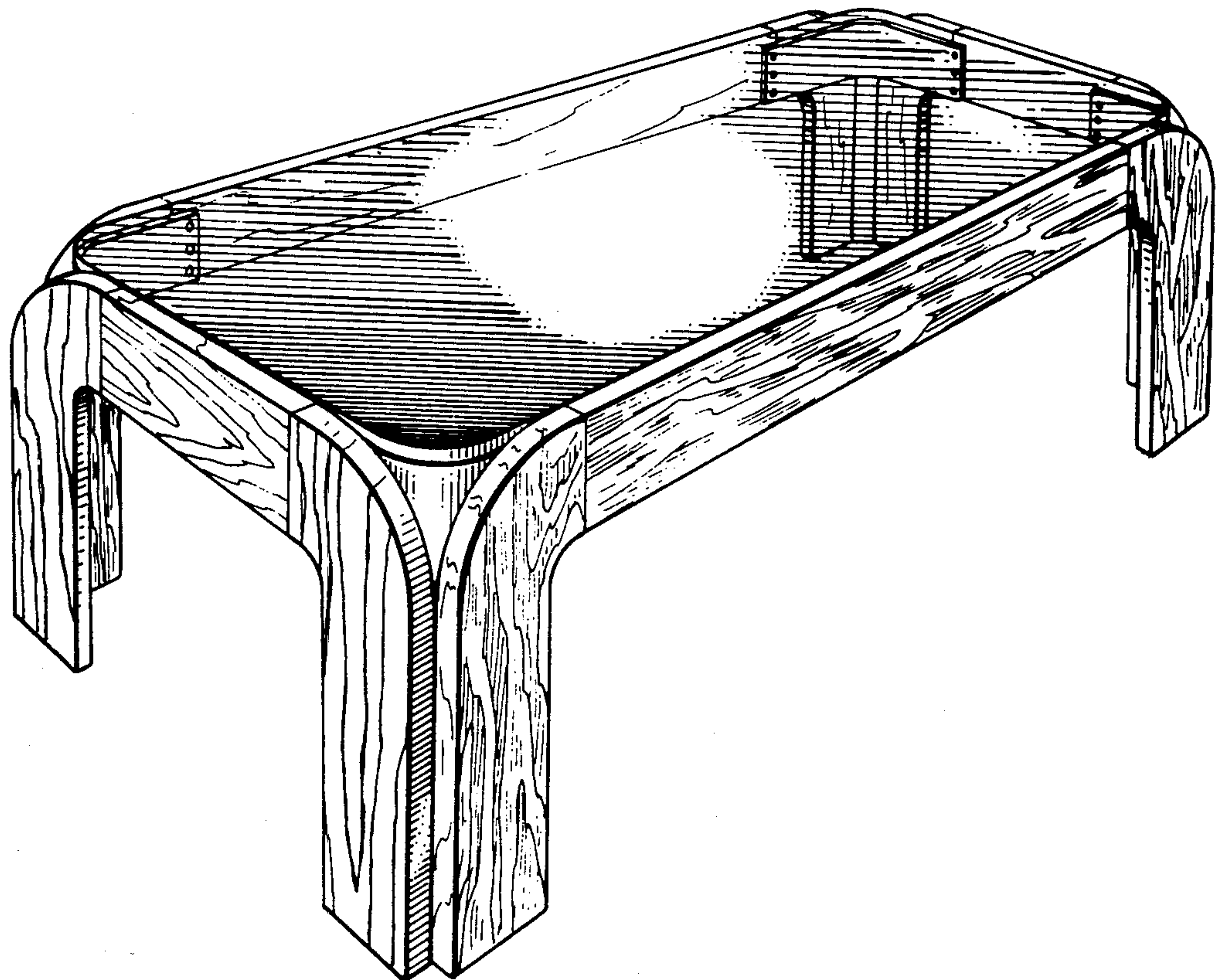


Fig. 1

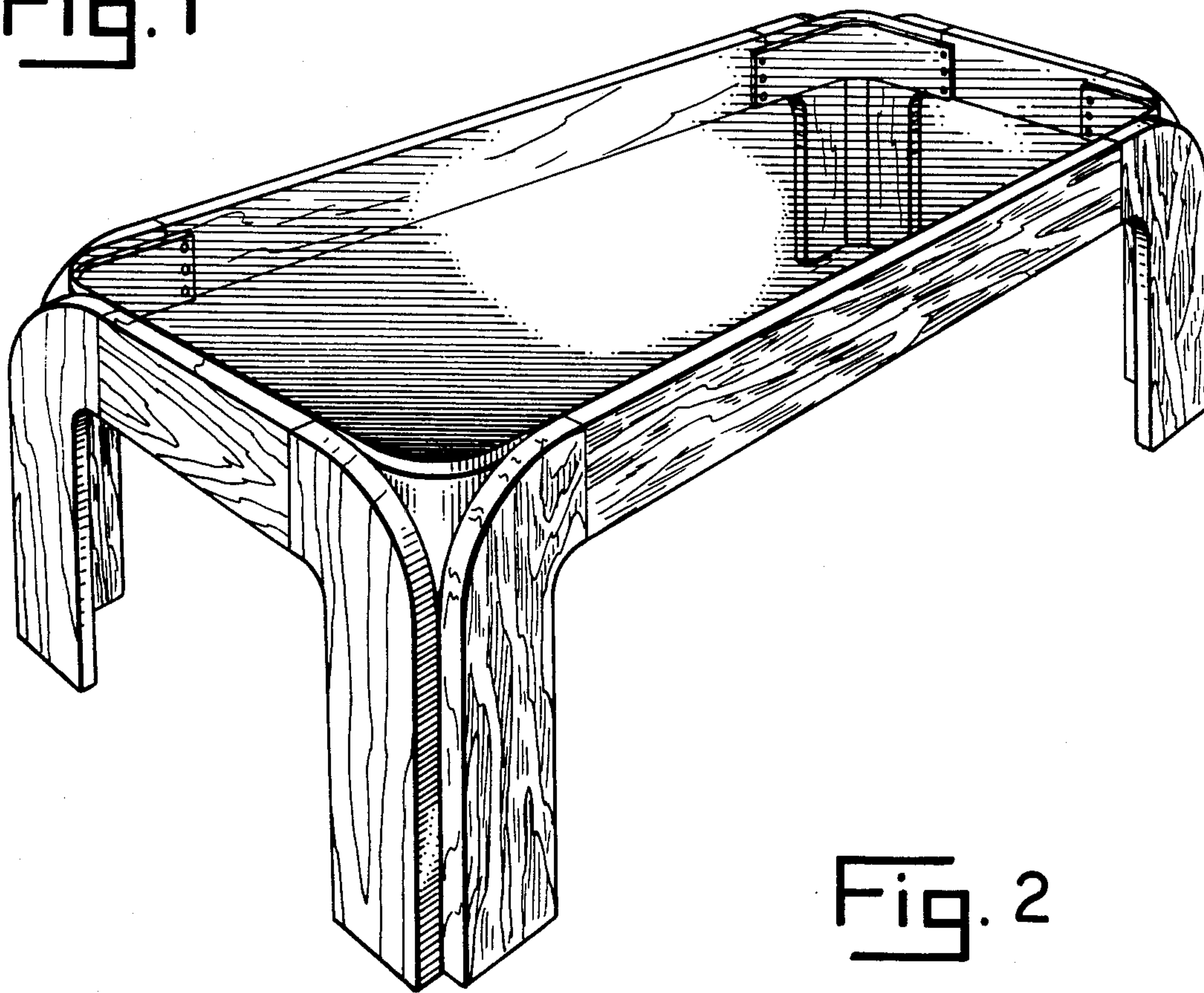


Fig. 2

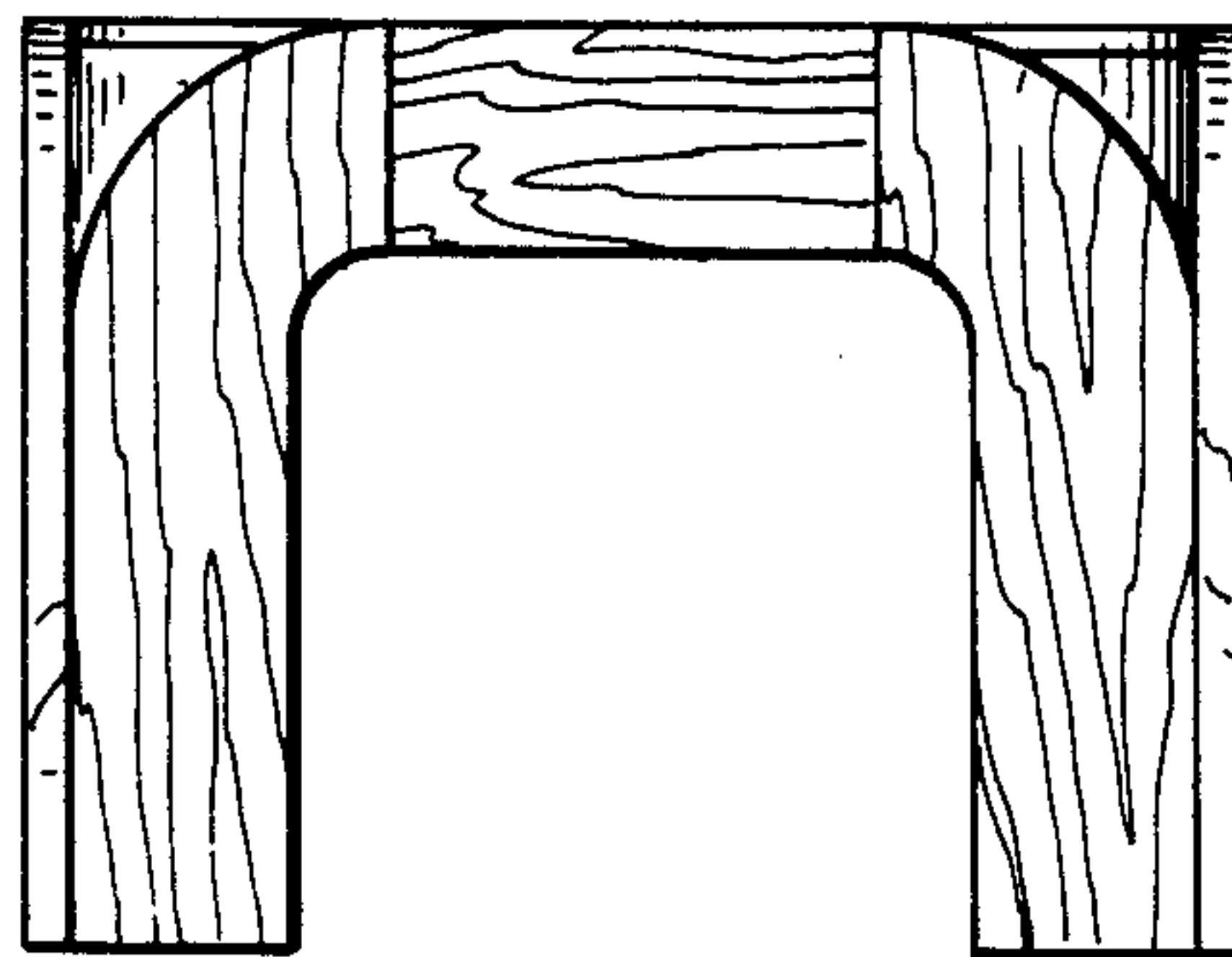


Fig. 3

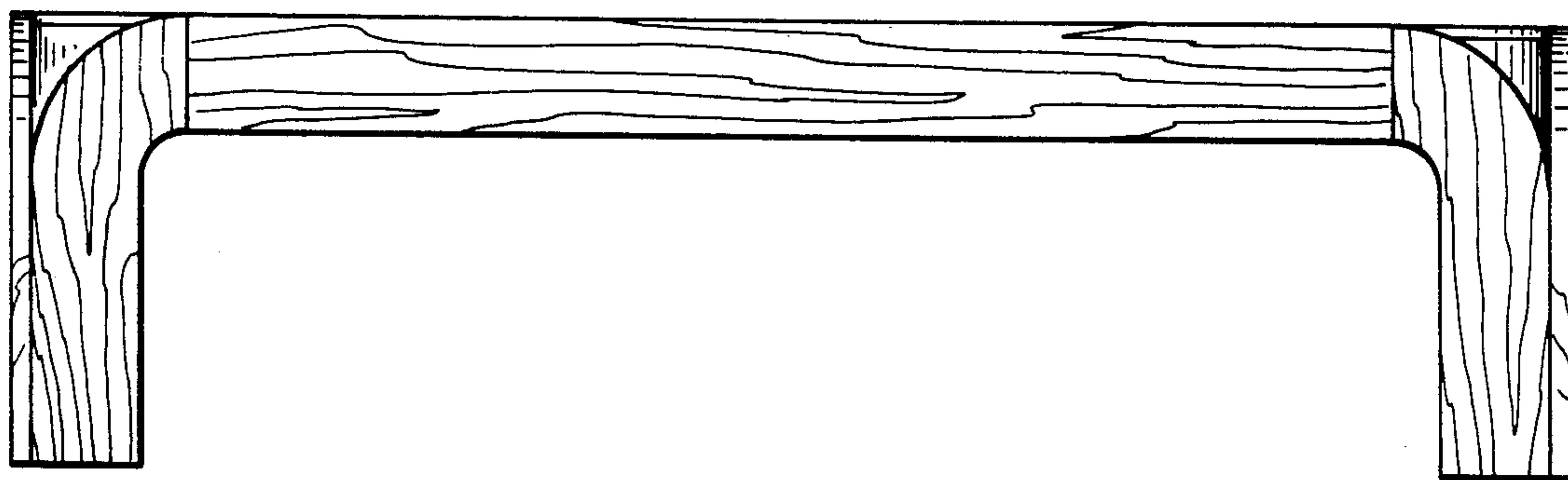




Fig. 4

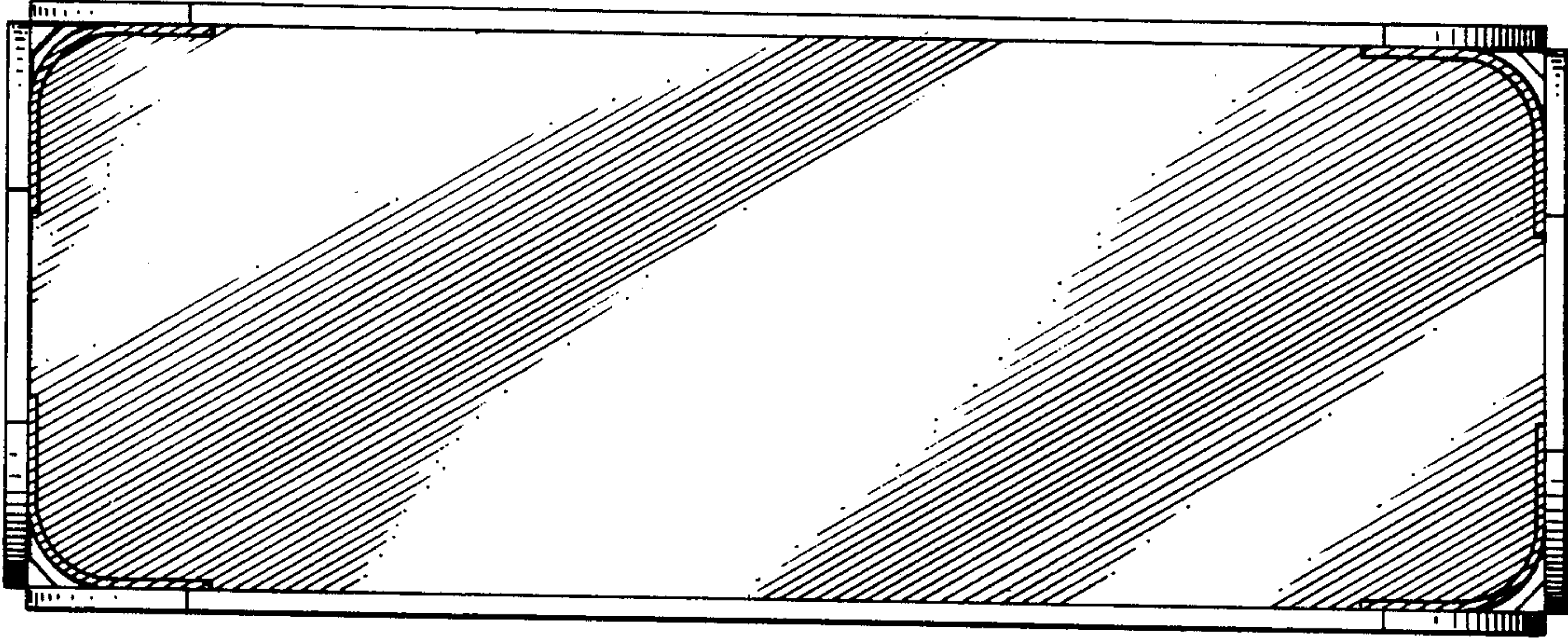


Fig. 5

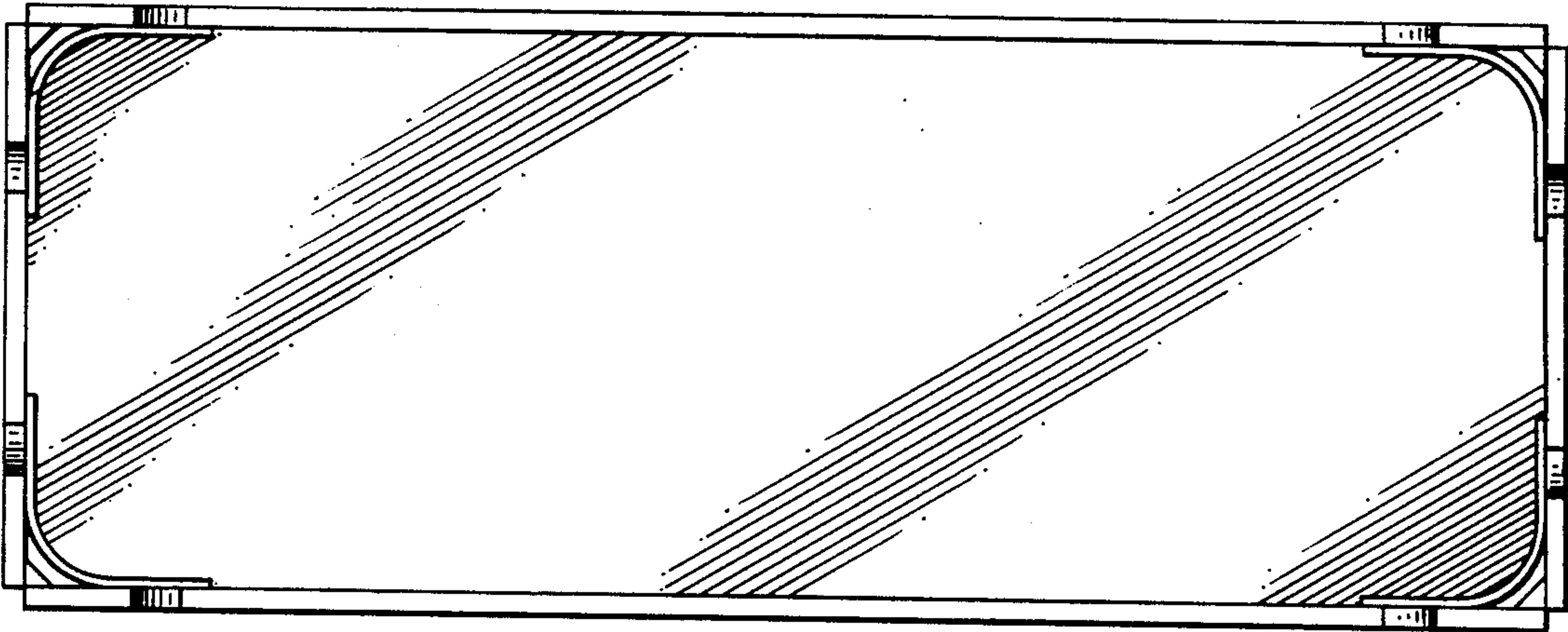


Fig. 6

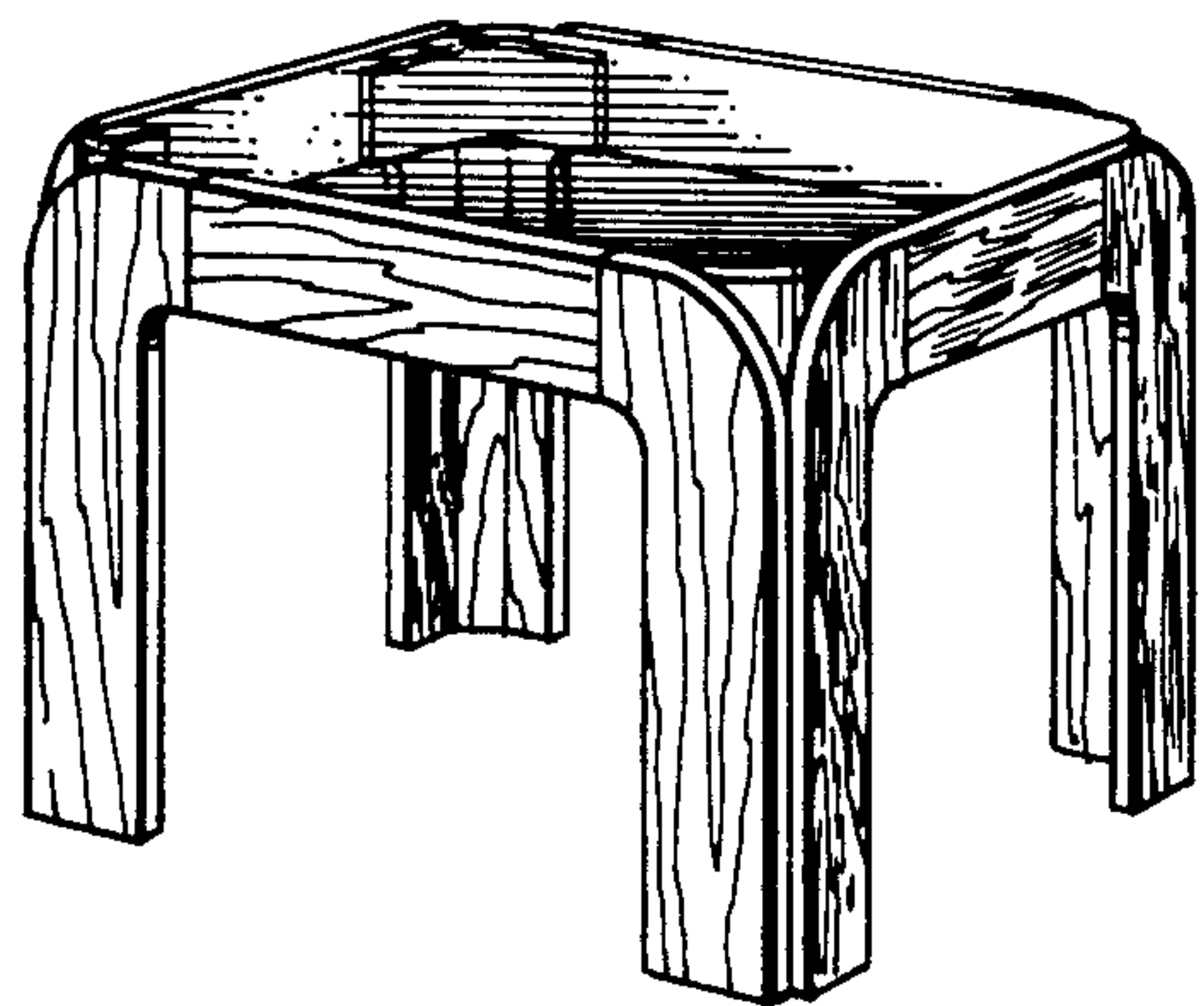


Fig. 7

