

[54] RAZOR

[75] Inventor: Norman D. Poisson, Andover, Mass.

[73] Assignee: The Gillette Company, Boston, Mass.

[**] Term: 14 Years

[21] Appl. No.: 666,168

[22] Filed: Mar. 11, 1976

[51] Int. Cl. D28-03

[52] U.S. Cl. D28/46

[58] Field of Search D95/3 A, 3 B; 30/32, 30/34 R, 47, 50, 51, 85, 86

[56] References Cited

U.S. PATENT DOCUMENTS

2,334,833	11/1943	Muros et al.	30/40
3,793,723	2/1974	Kuris et al.	D95/3 A
D. 229,876	1/1974	Glaberson	D95/3 A

FOREIGN PATENT DOCUMENTS

2,358,203 5/1974 Germany 30/50

Primary Examiner—Joel Stearman
Assistant Examiner—Louis S. Zarfes
Attorney, Agent, or Firm—Richard A. Wise

[57] CLAIM

The ornamental design for a razor, substantially as shown and described.

DESCRIPTION

FIG. 1 is a perspective view of a razor showing my new design;

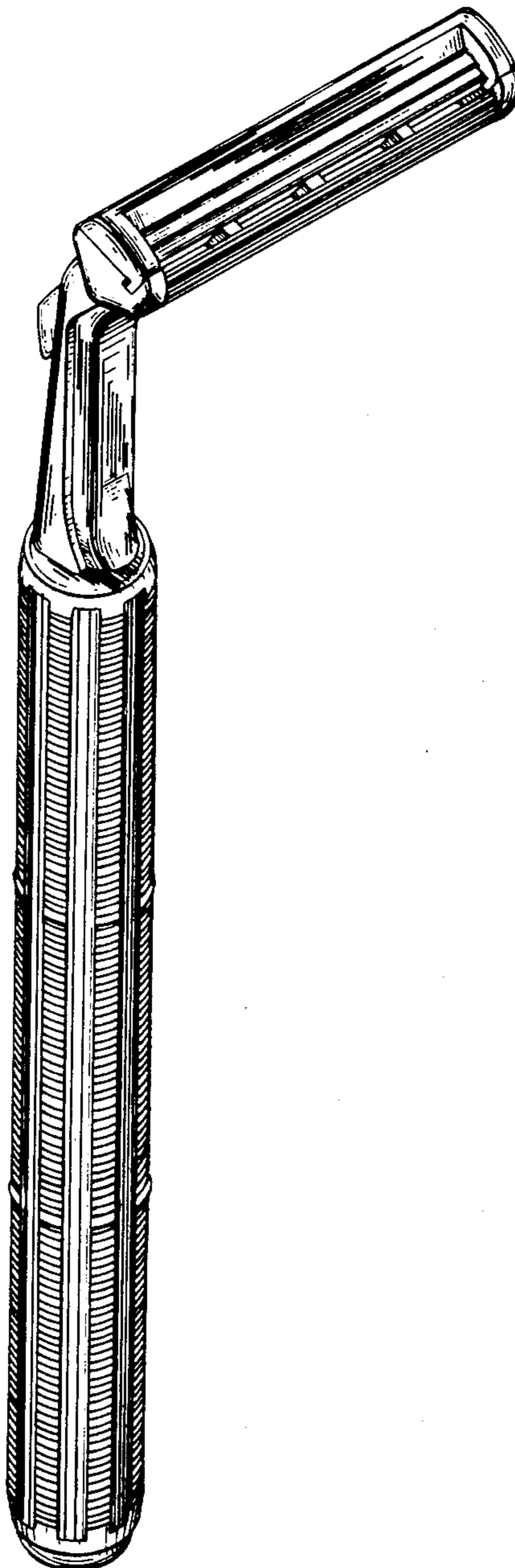
FIG. 2 is a side elevational view thereof the opposite side being substantially a mirror image thereof;

FIG. 3 is a front elevational view thereof;

FIG. 4 is a back elevational view thereof;

FIG. 5 is a bottom plan view thereof; and

FIG. 6 is a top plan view thereof.



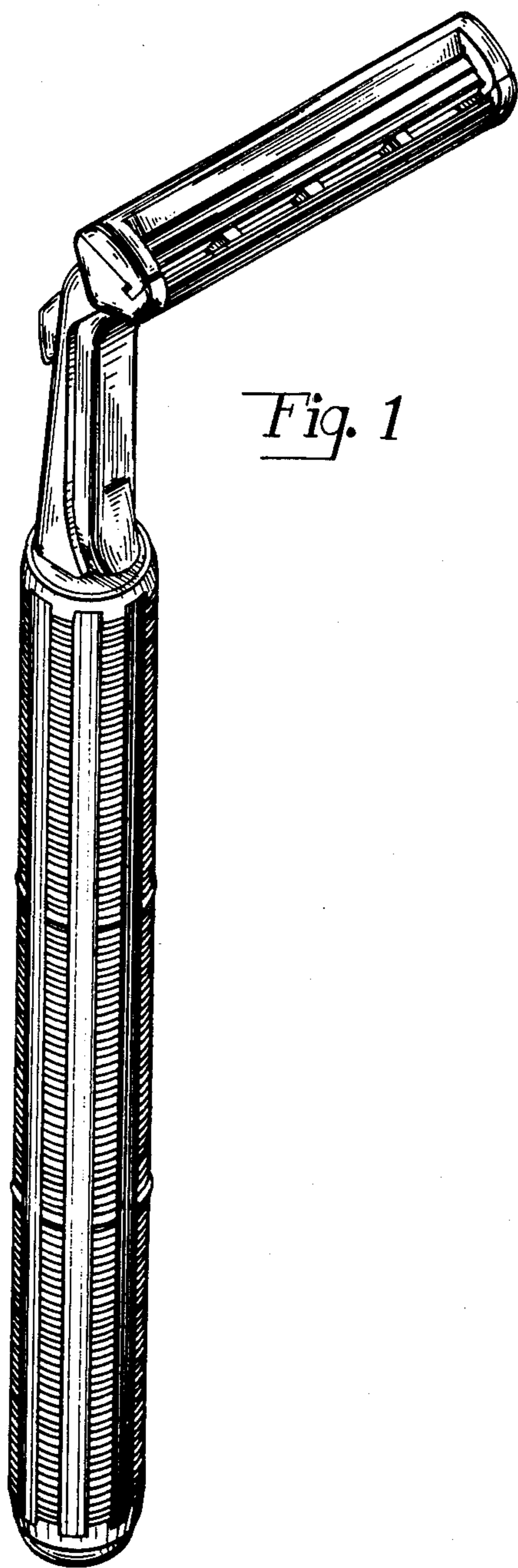


Fig. 1

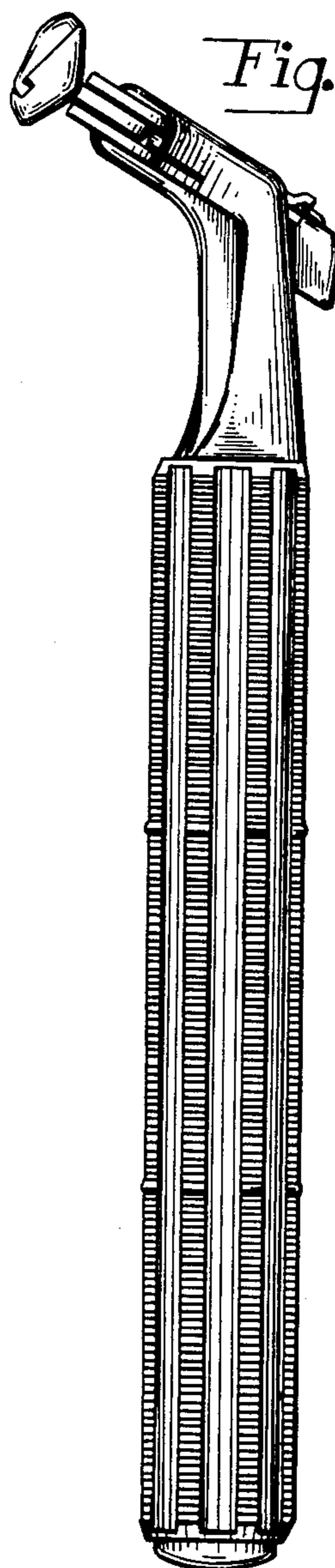


Fig. 2

Fig. 3

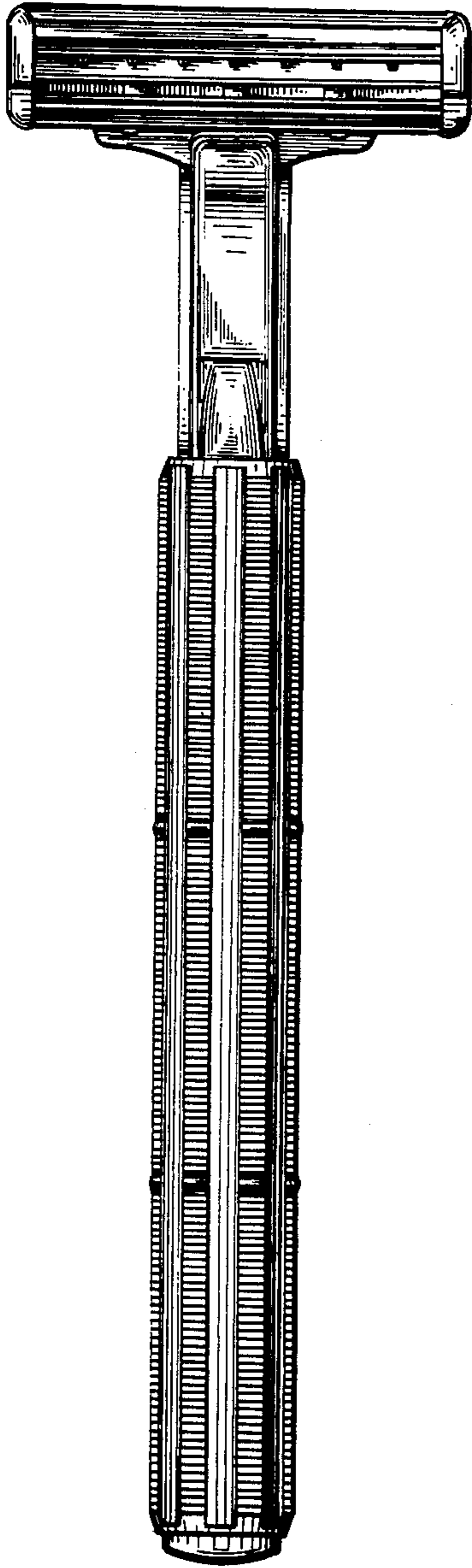


Fig. 4

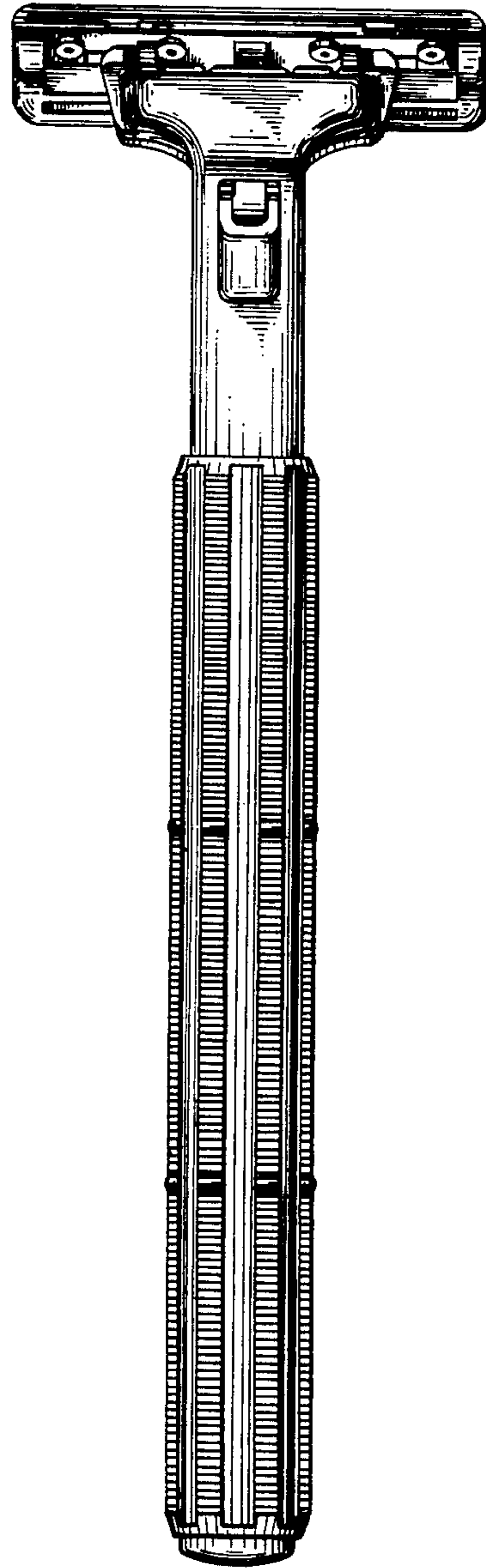


Fig. 5

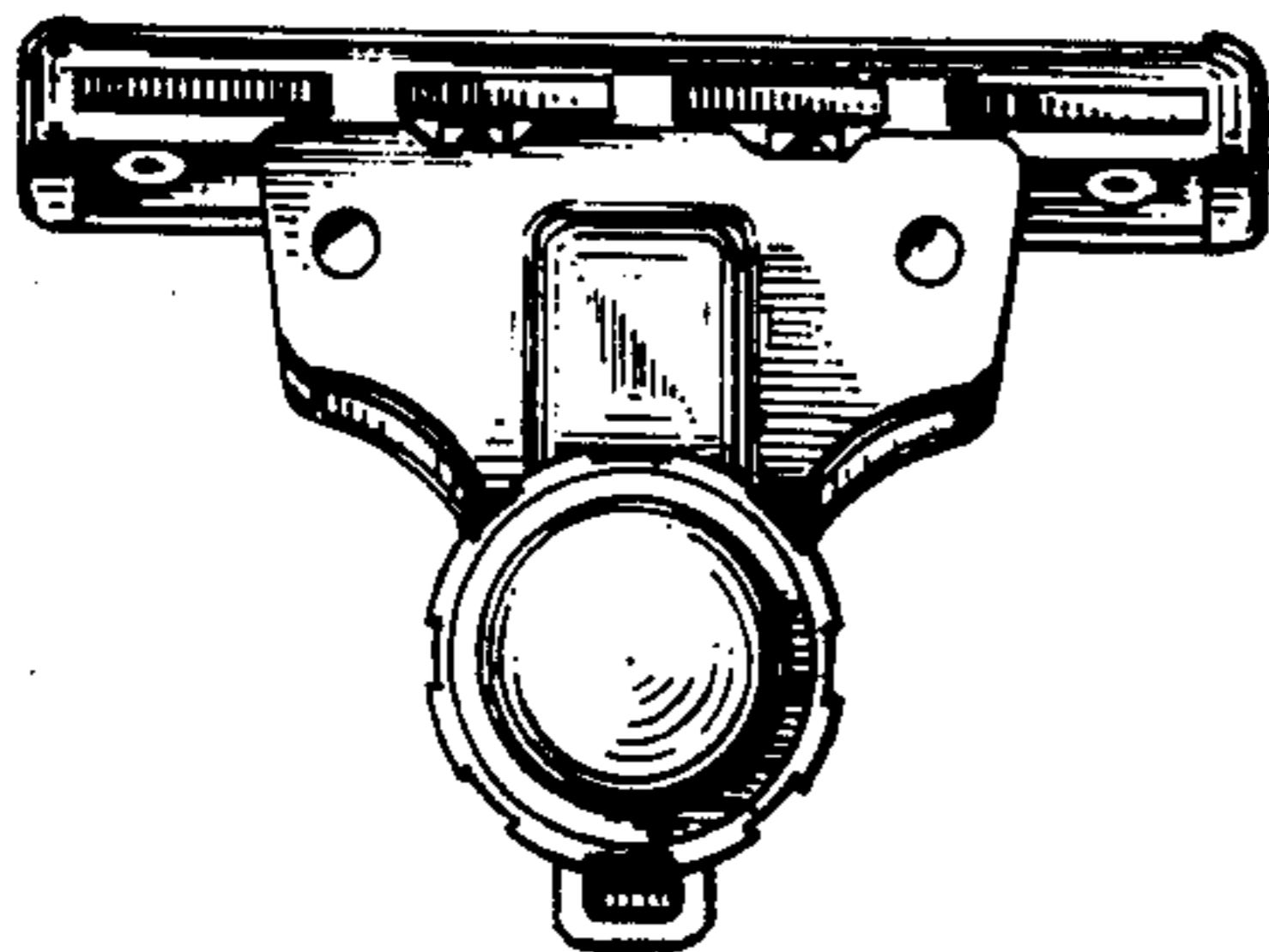


Fig. 6

