

- [54] **PORTABLE ENCLOSURE FOR ELECTRONIC EQUIPMENT**
- [75] Inventor: **Wayne Carl Cathey, Bedford, Tex.**
- [73] Assignee: **Xerox Corporation, Stamford, Conn.**
- [**] Term: **14 Years**
- [21] Appl. No.: **633,721**
- [22] Filed: **Nov. 20, 1975**
- [51] Int. Cl. **D3—02**
- [52] U.S. Cl. **D87/1 R**
- [58] Field of Search **D87/1 R, 5 A, 5 B, 5 D, D87/5 F; D7/189, 194, 76; 206/328; 190/41 R**

- [56] **References Cited**
U.S. PATENT DOCUMENTS
3,298,479 1/1967 Palmer et al. D87/5 F
D. 199,622 11/1964 Demarce D87/5 F

- D. 217,080 3/1970 Fleming D87/5 F
- D. 236,551 8/1975 Shook D87/1 R
- D. 237,419 10/1975 Lapins et al. D87/1 R
- D. 238,978 2/1976 Getchell et al. D87/1 R

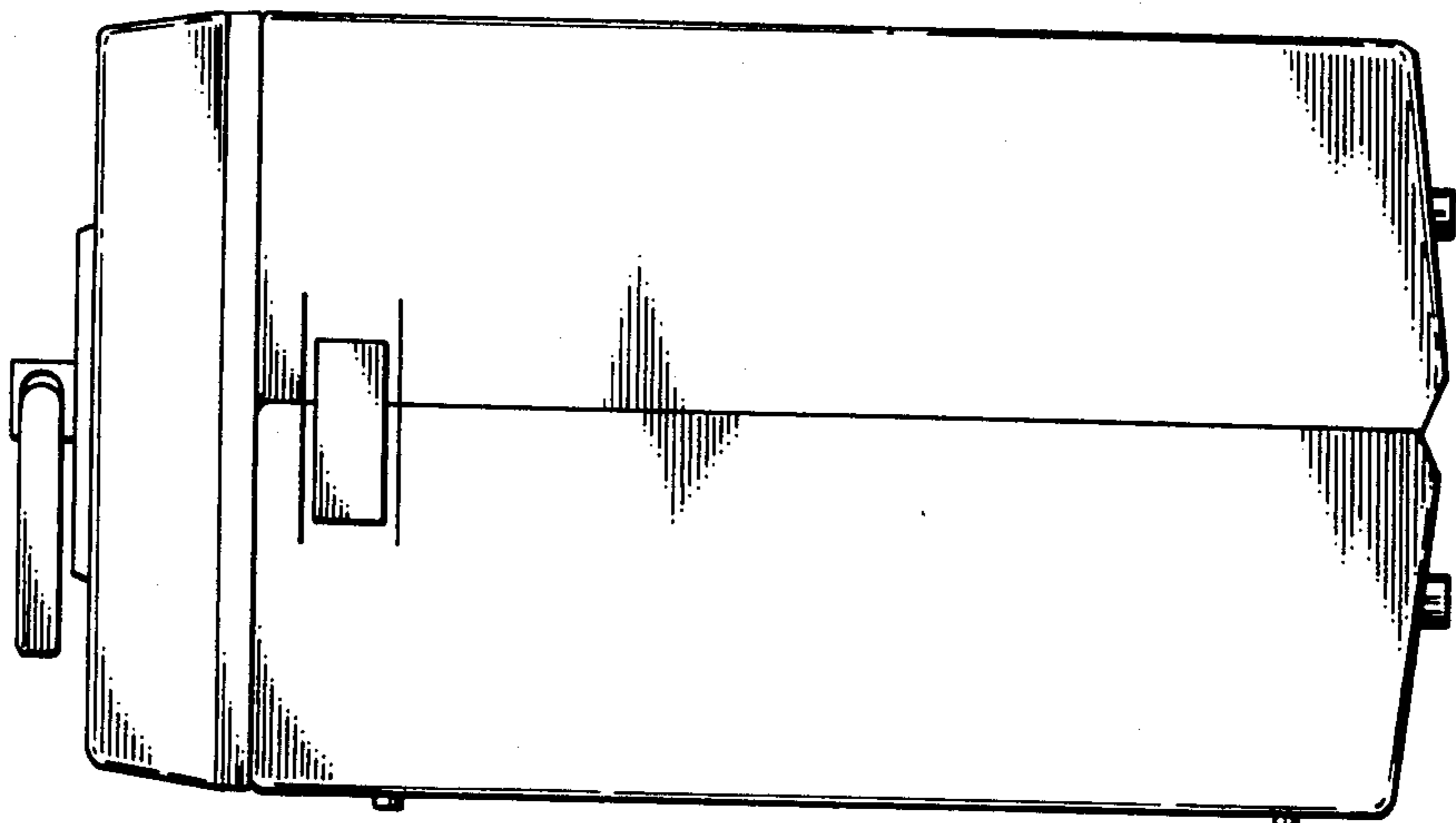
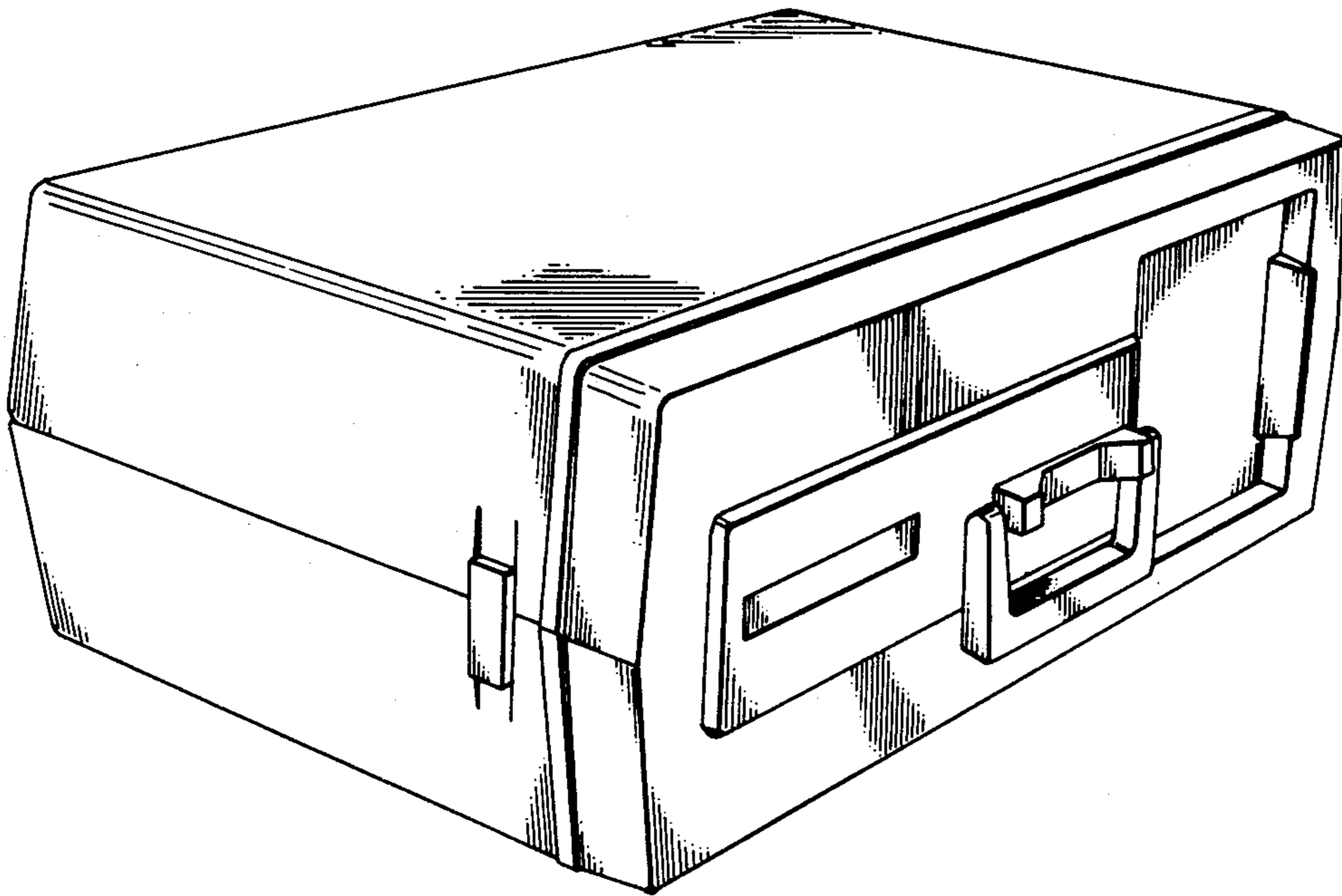
Primary Examiner—Joel Stearman
Assistant Examiner—George P. Word
Attorney, Agent, or Firm—James J. Ralabate

[57] **CLAIM**

The ornamental design for a portable enclosure for electronic equipment, as shown.

DESCRIPTION

FIG. 1 is a perspective view of a portable enclosure for electronic equipment showing my new design; FIG. 2 is a front elevational view. FIG. 3 is a right side elevational view. FIG. 4 is a rear elevational view. FIG. 5 is a left side elevational view. FIG. 6 is a top plan view; and FIG. 7 is a bottom plan view.



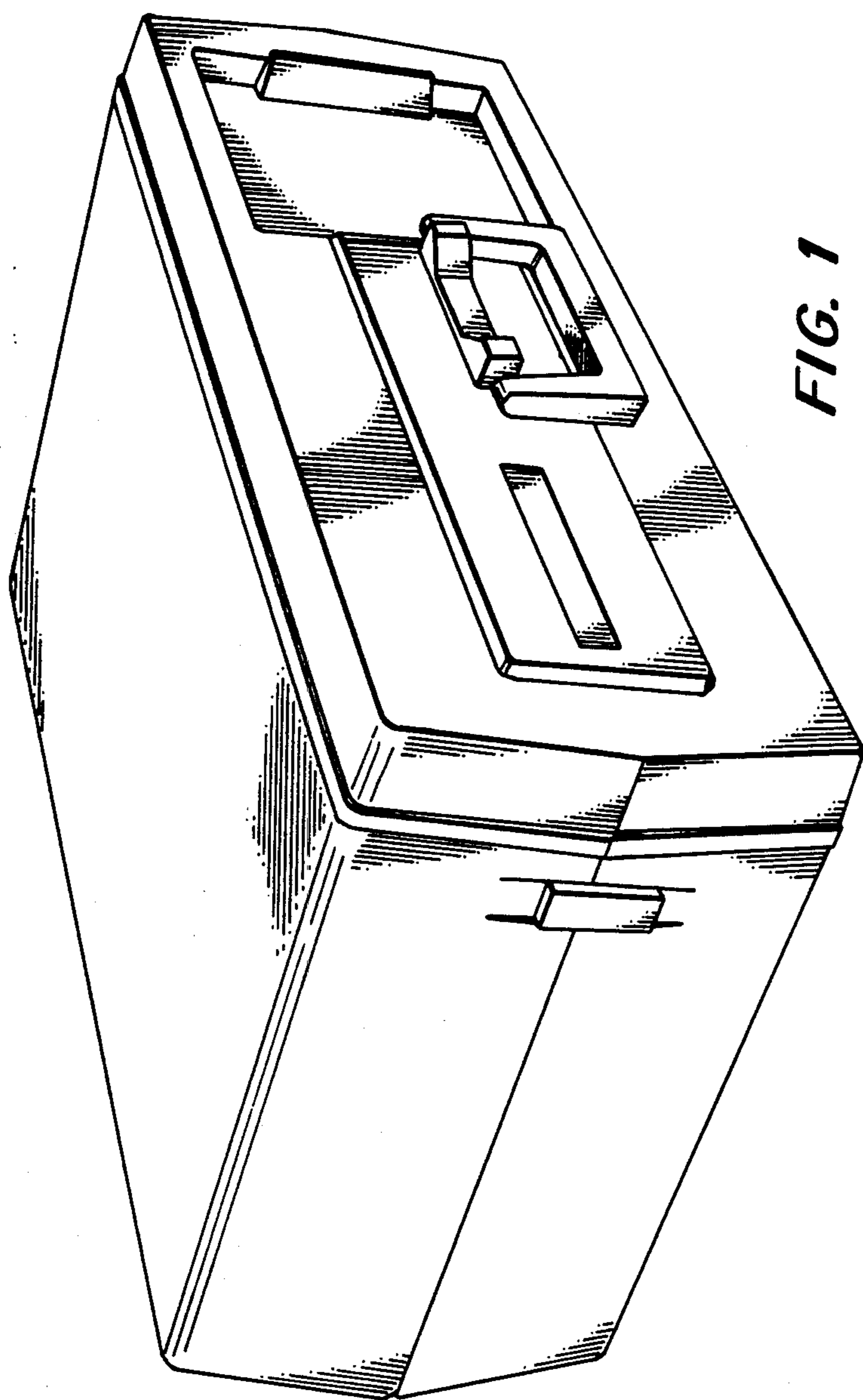


FIG. 1

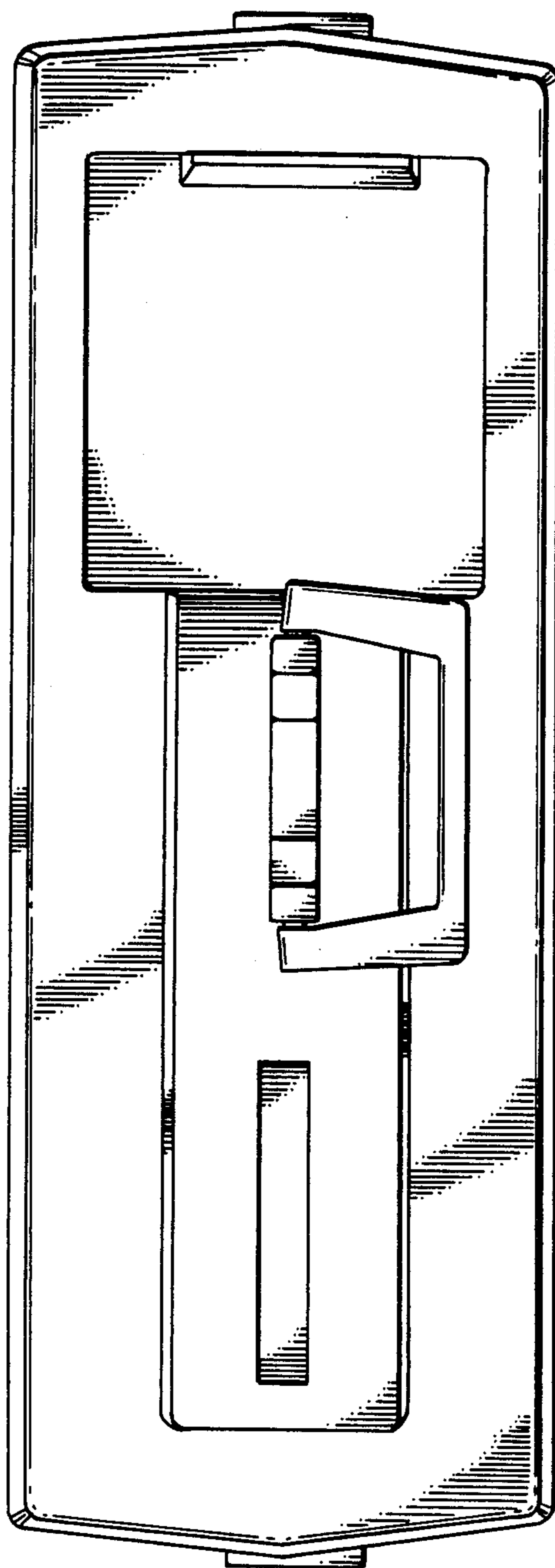


FIG. 2

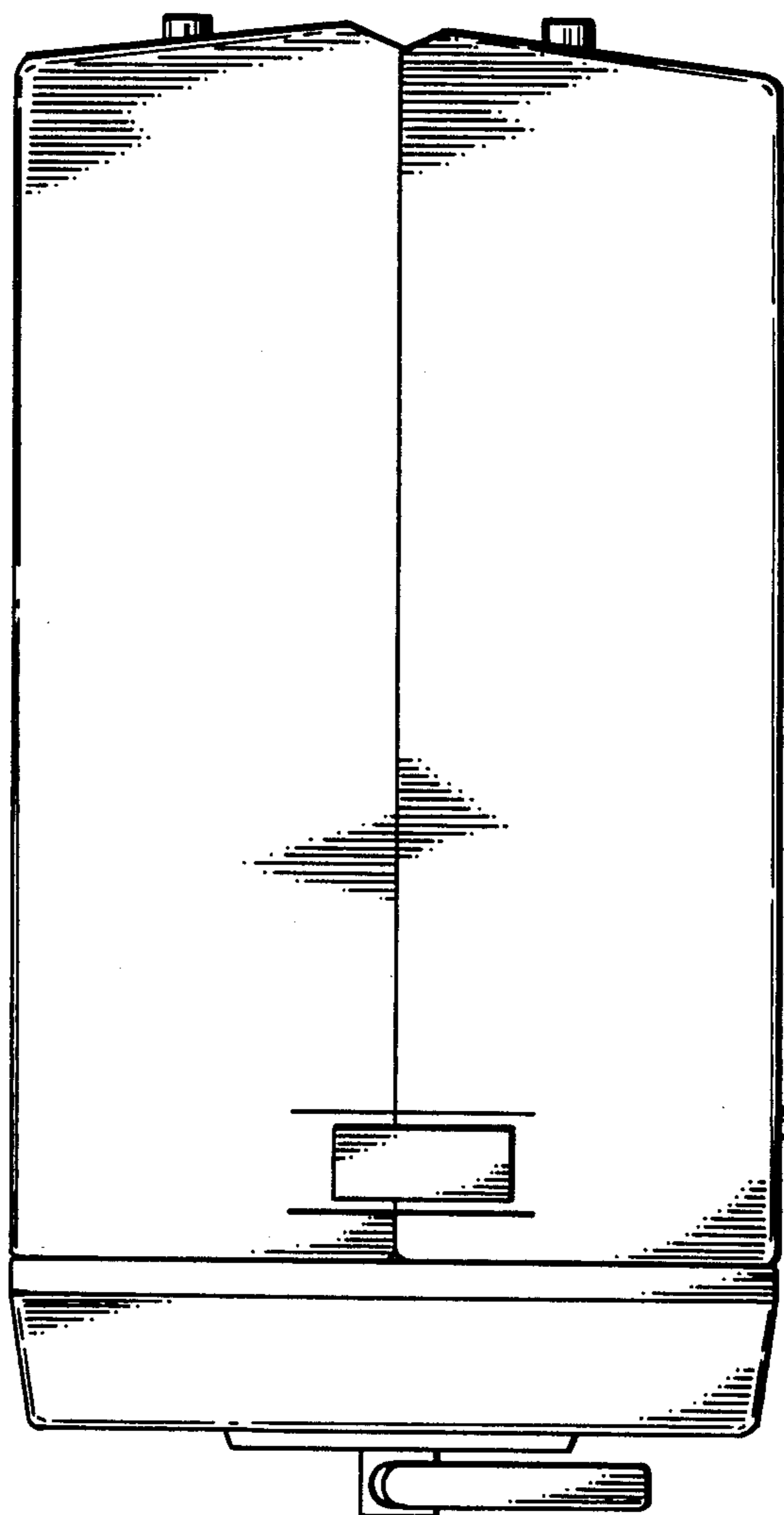


FIG. 3

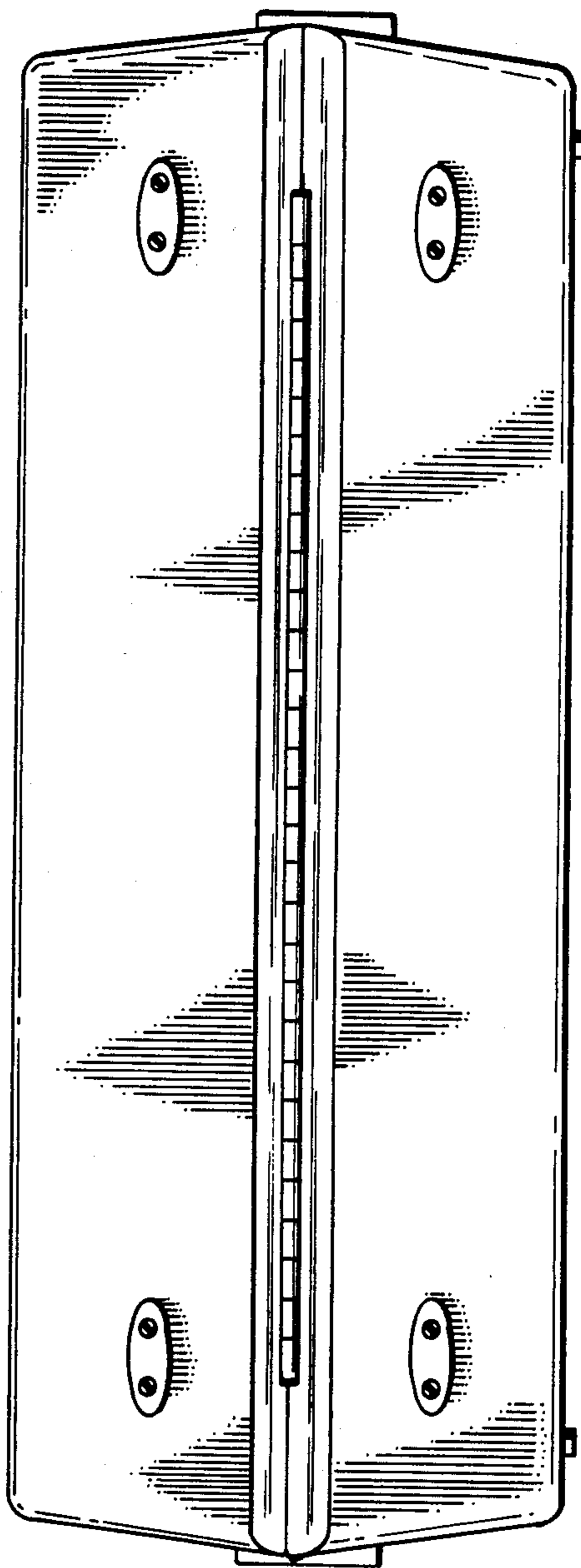


FIG. 4

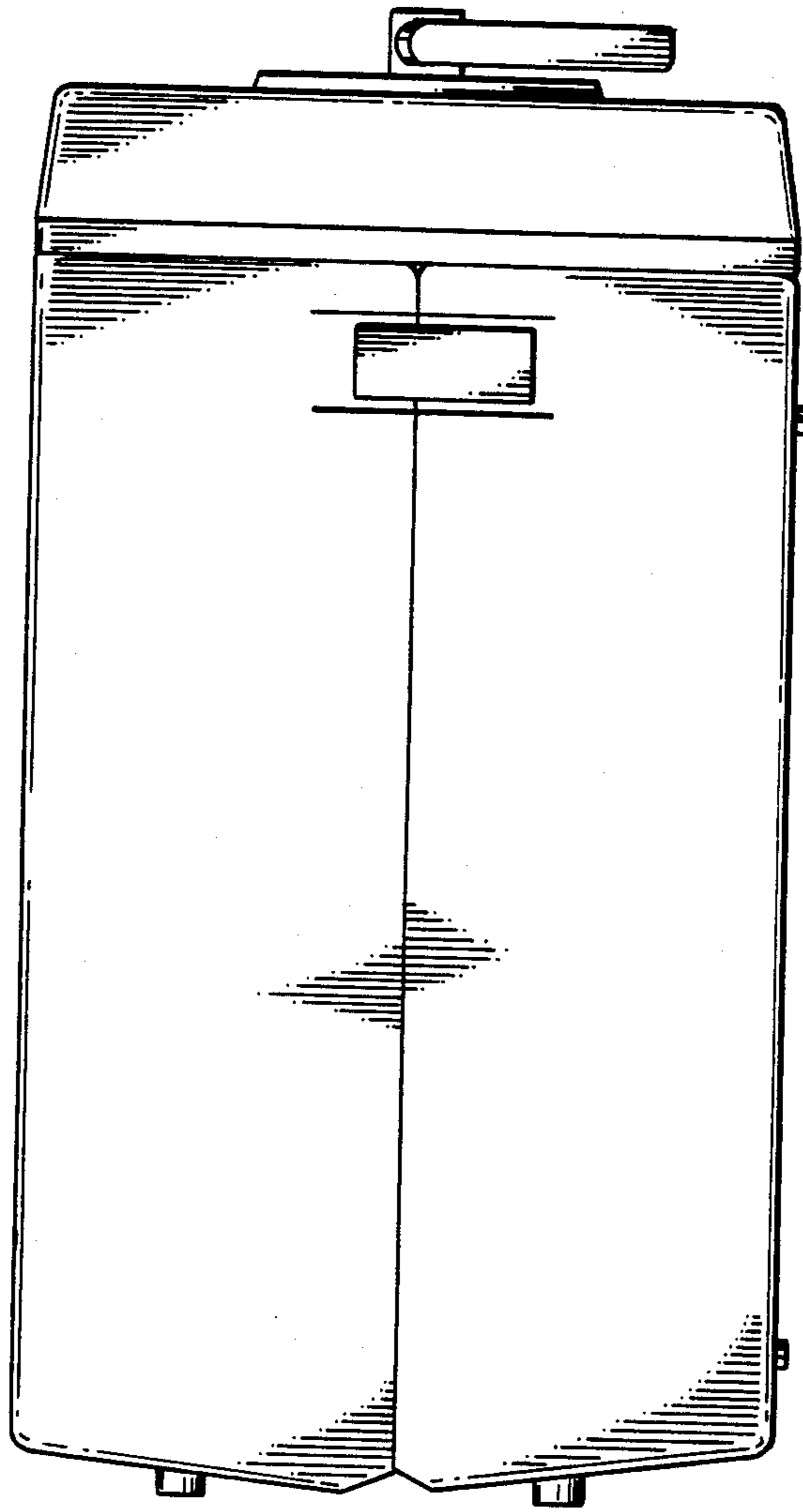


FIG. 5

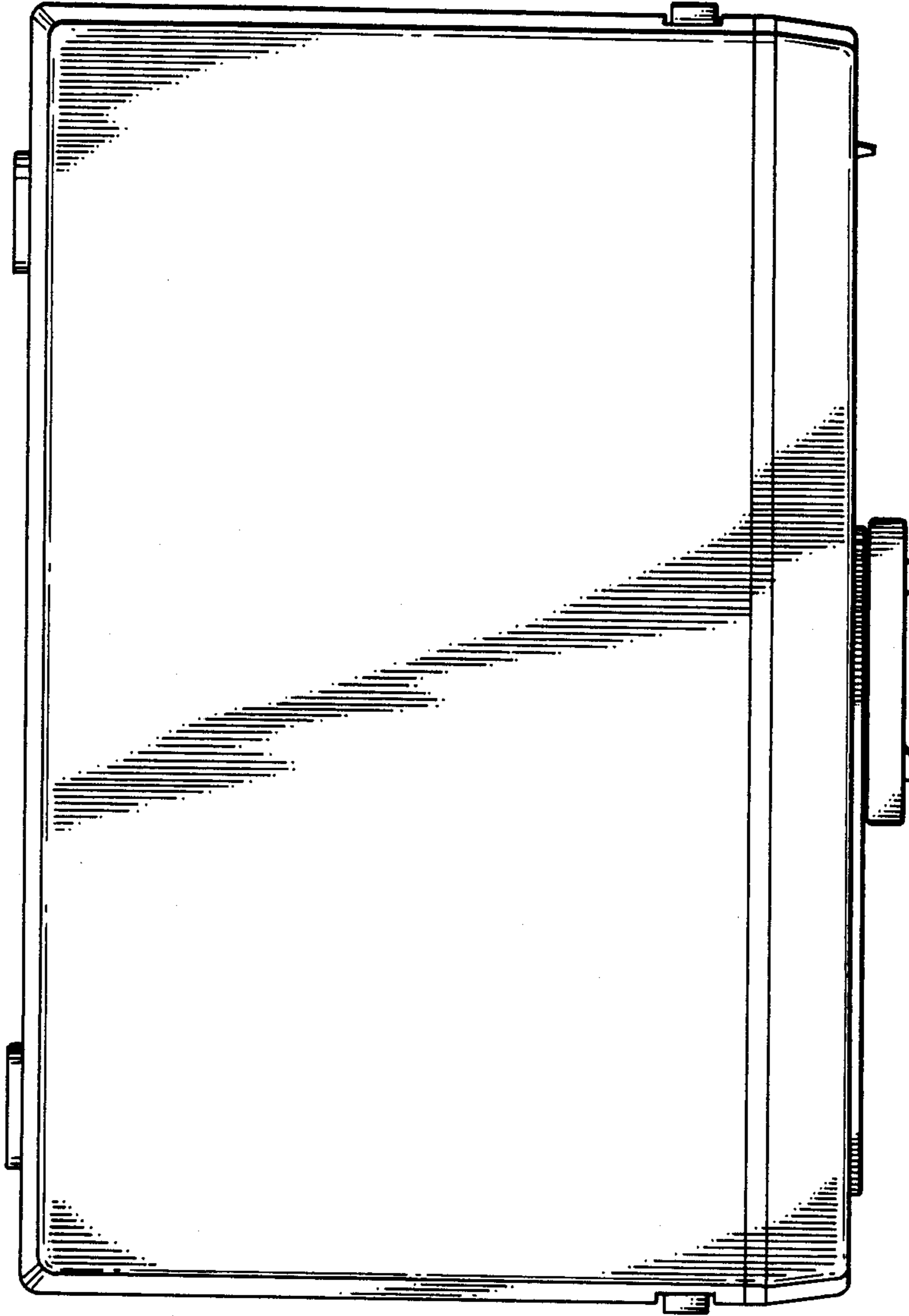


FIG. 6

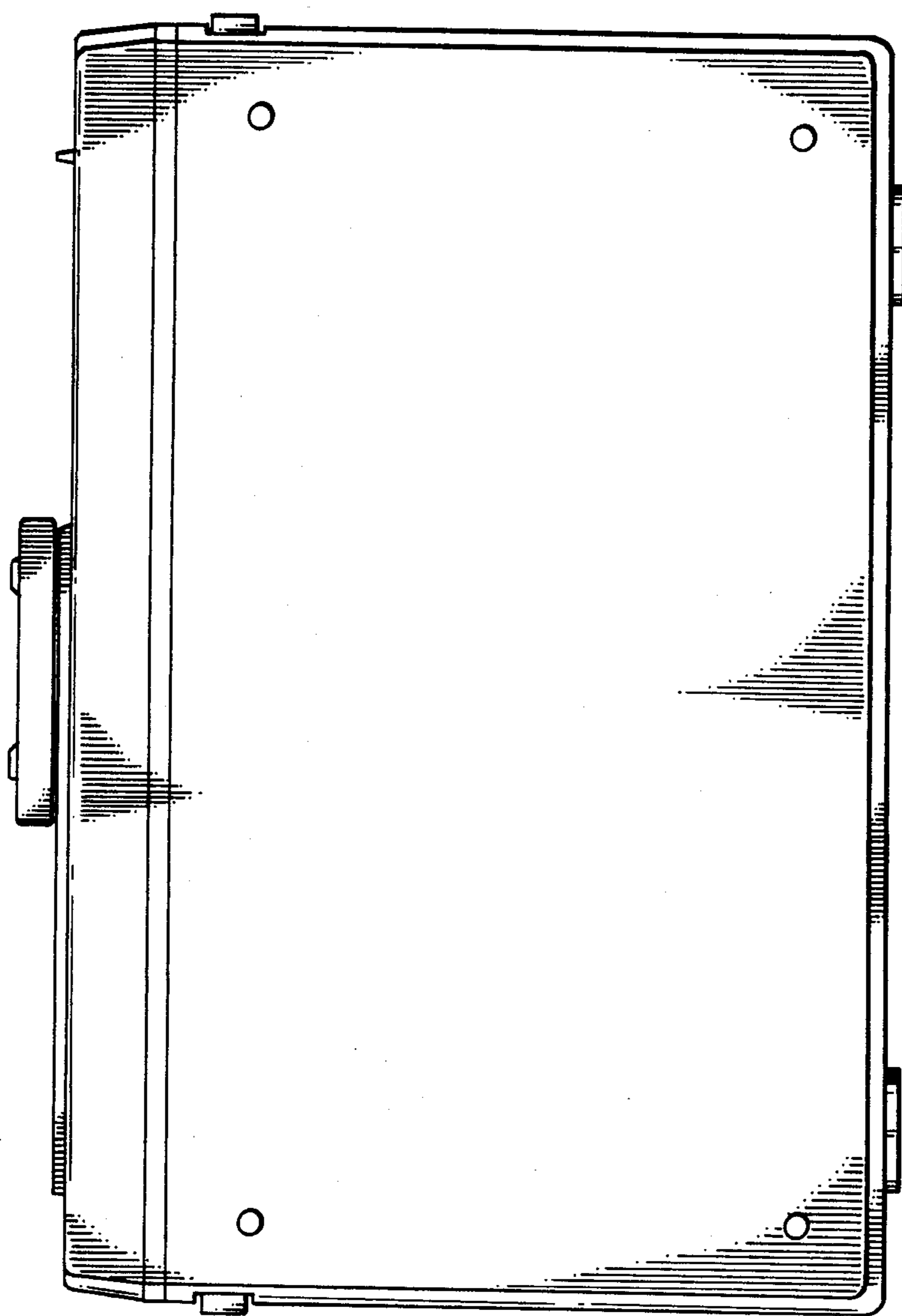


FIG. 7